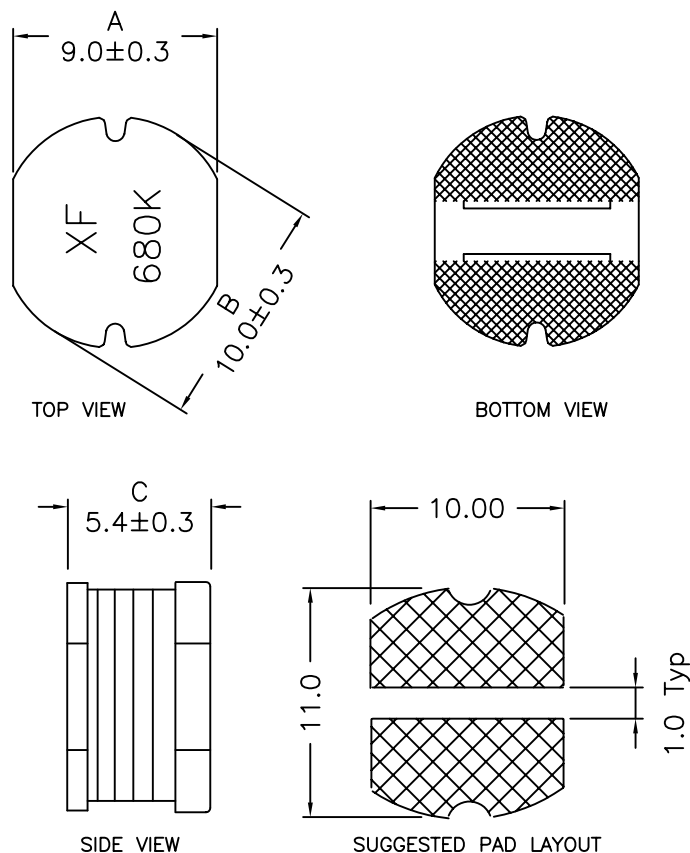
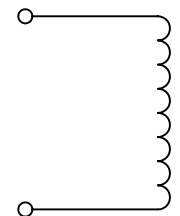


### 1. Mechanical Dimensions:



### 2. Schematic:



### 3. Electrical Specifications:

OCL:  $68.0 \mu\text{H} \pm 10\%$  @100KHz 0.1V

DC Res.: 0.220 Ohms Max

Max Current: 1.110Adc

Q: 20 Min @100KHz 0.1V

**Notes:**

1. Solderability: Leads shall meet MIL-STD-202G, Method 208H for solderability.
2. Flammability: UL94V-0
3. ASTM oxygen index: > 28%
4. Insulation System: Class F 155°C. UL file E151556
5. Operating Temperature Range: All listed parameters are to be within tolerance from -40°C to +85°C
6. Storage Temperature Range: -55°C to +125°C
7. Aqueous wash compatible
8. SMD Lead Coplanarity:  $\pm 0.004'' (0.102\text{mm})$
9. Electrical and mechanical specifications 100% tested
10. RoHS Compliant Component

DOC. REV: A/5

<b>XFMRs Inc</b> www.XFMRS.com		Title: <b>SMD Inductor</b>	
UNLESS OTHERWISE SPECIFIED TOLERANCES: .xx $\pm 0.25$ Dimensions in MM	P/N: XFSDR105-680K		REV A
	DWN.	Mei Chen	Sep-18-10
	CHK.	YK Liao	Sep-18-10
SHEET 1 OF 1	APP.	BW	Sep-18-10