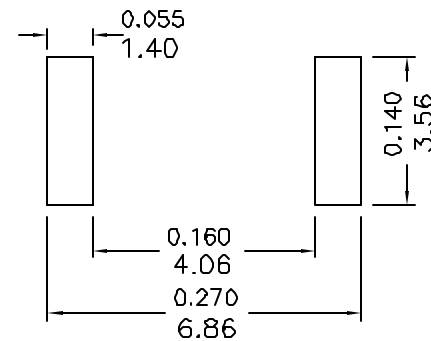
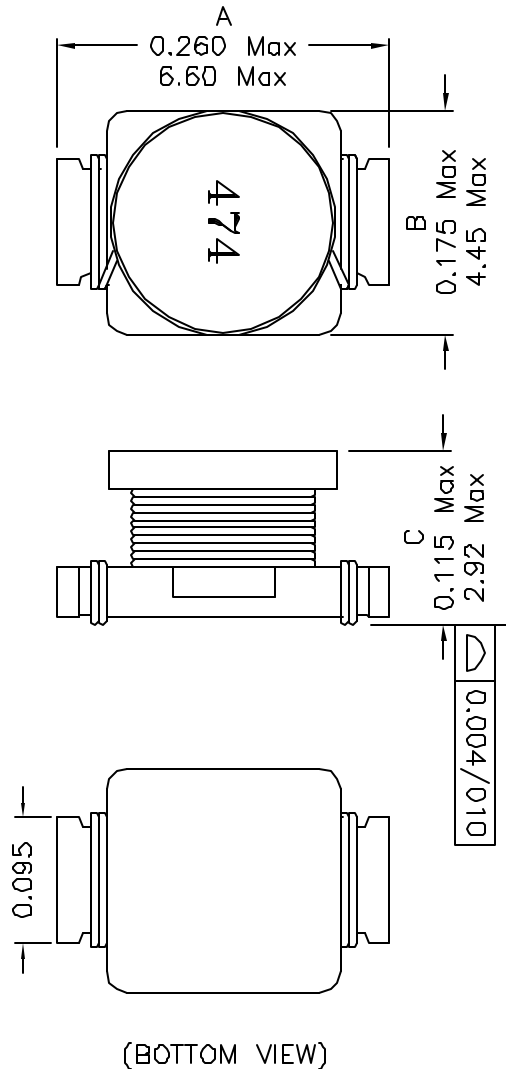
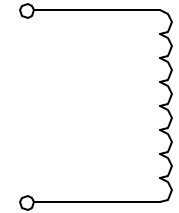


1. Dimensions:



2. Schematic:



3. Electrical Specs:

Inductance: 470uH±20% @100KHz 0.1V

DC Res: 5.06 Dhms Max

Irms: 15°C Typ rise at 0.15A

Inductance Drop=10% Typ. at Rated Isat 0.16Adc

SRF: 4MHz Typ

Notes:

1. Solderability: Leads shall meet MIL-STD-2026, Method 208H for solderability.
2. Flammability: UL94V-0
3. ASTM oxygen index: > 28%
4. Insulation System: Class F 155°C. UL file E151556
5. Operating Temperature Range: All listed parameters are to be within tolerance from -40°C to +125°C
6. Storage Temperature Range: -55°C to +125°C
7. Aqueous wash compatible
8. SMD Lead Coplanarity: ±0.004"(0.102mm)
9. Electrical and mechanical specifications 100% tested
10. RoHS Compliant Component

XFMRS Inc www.XFMRS.com	Title: SMT POWER INDUCTORS		
	UNLESS OTHERWISE SPECIFIED TOLERANCES: .xxx ±0.010/.xx ±0.25 Dimensions in INCH/MM	P/N: XFS1MDR1714-474	REV A
	DWN.	Juan Mao	Jun-27-07
	CHK.	YK Liao	Jun-27-07
Scale 2.5:1 SHT 1 OF 1	APP.	MS	Jun-27-07

DOC REV: A/1

PROPRIETARY Document is the property of XFMRS Group & is not allowed to be duplicated without authorization.