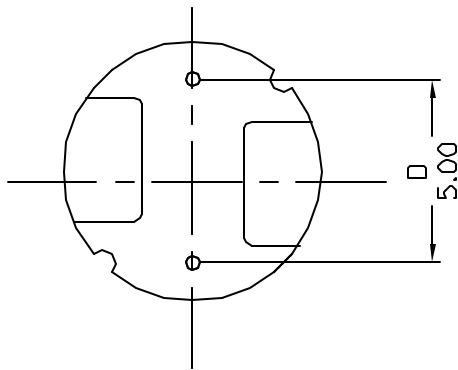
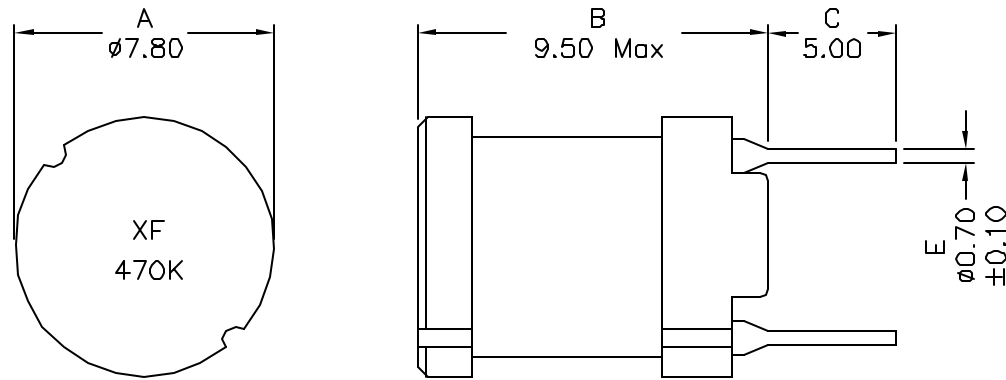
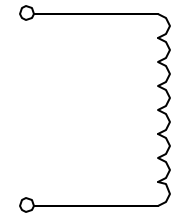


### 1. Mechanical Dimensions:



BOTTOM VIEW

### 2. Schematic:



### 3. Electrical Specifications:

Inductance: 47uH±10% @100KHz, 0.1V

DC Res: 0.120 Ohms Max

Rated Current: 1.30Adc (40°C rise in temp typ)

Isat: 2.50Adc (10% drop in L typ)

Notes:

1. Solderability: Leads shall meet MIL-STD-202G, Method 208H for solderability.
2. Flammability: UL94V-0
3. ASTM oxygen index: > 28%
4. Insulation System: Class F 155°C. UL file E151556
5. Operating Temperature Range: All listed parameters are to be within tolerance from -40°C to +85°C
6. Storage Temperature Range: -55°C to +125°C
7. Aqueous wash compatible
8. Electrical and mechanical specifications 100% tested
9. RoHS Compliant Component

Doc. Rev. A/3

**PROPRIETARY**

Document is the property of XFMRS Group & is not allowed to be duplicated without authorization.

<b>XFMRS Inc.</b>	Title: POWER INDUCTOR		
UNLESS OTHERWISE SPECIFIED TOLERANCES: .xx±0.50 Dimensions in MM	P/N: XFRLH895-470K		REV. A
	DWN.	Feng	Feb-28-10
	CHK.	YK Liao	Feb-28-10
SHEET 1 OF 1	APP.	Joe Huff	Feb-28-10