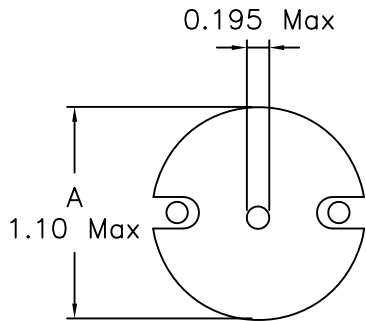
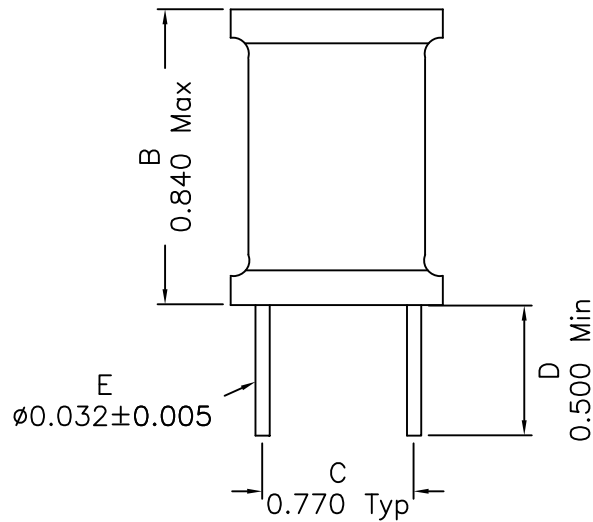
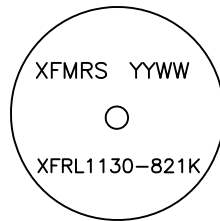


1. Mechanical Dimensions:



BOTTOM VIEW

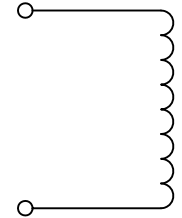
MARKING: (ON TOP)



PRELIMINARY

DOC REV: A/-

2. Schematic:



3. Electrical Specifications:

OCL: $820\mu\text{H} \pm 10\%$ @10KHz 0.1V
 Irms: 2.8Arms (Based on a 50°C Temp Rise)
 Isat: 2.8Adc (Based on a 5% drop in OCL)
 DCR: 0.288 Ohms Max

Notes:

- Solderability: Leads shall meet MIL-STD-202G, Method 208H for solderability.
- Flammability: UL94V-0
- ASTM oxygen index: > 28%
- Insulation System: Class F 155°C. UL file E151556
- Operating Temperature Range: All listed parameters are to be within tolerance from -55°C to +105°C
- Storage Temperature Range: -55°C to +125°C
- Aqueous wash compatible
- Electrical and mechanical specifications 100% tested
- RoHS Compliant Component

PROPRIETARY

Document is the property of XFMRS Group & is not allowed to be duplicated without authorization.

XFMRS Inc.	Title: Radial Leaded Inductor		
UNLESS OTHERWISE SPECIFIED TOLERANCES: .xxx ±0.010 Dimensions in INCH	P/N: XFRL1130-821K	REV. A	
	DWN.	罗振江	Nov-28-16
	CHK.	廖玉坤	Nov-28-16
SHEET 1 OF 1	APP.	DDC	Nov-28-16