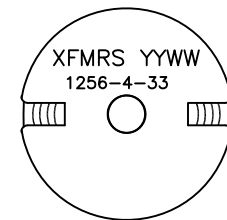
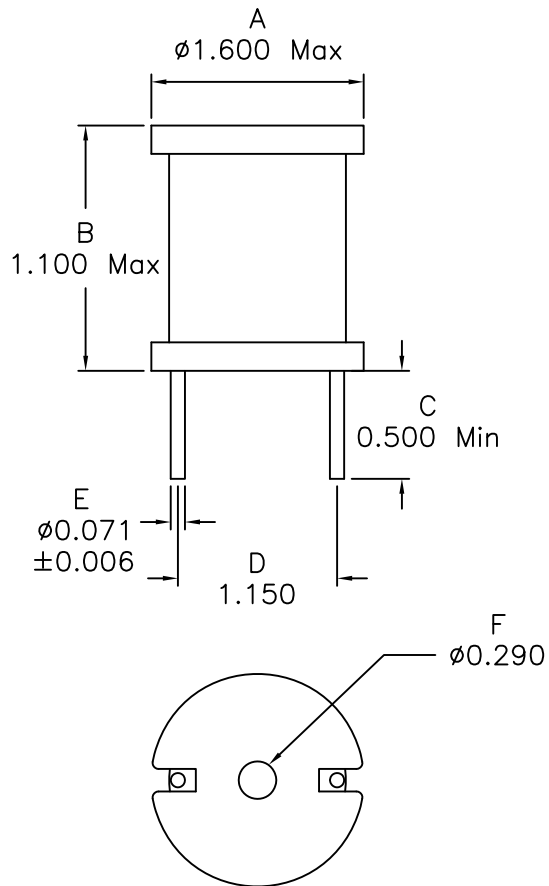


1. Mechanical Dimensions:



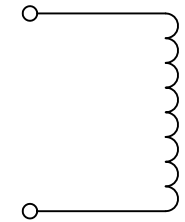
Marking (on top)

Notes:

1. Solderability: Leads shall meet MIL-STD-202G, Method 208H for solderability.
2. Flammability: UL94V-0
3. ASTM oxygen index: > 28%
4. Insulation System: Class F 155°C. UL file E151556
5. Operating Temperature: -40°C to +85°C
6. Storage Temperature Range: -55°C to +125°C
7. Aqueous wash compatible
8. Electrical and mechanical specifications 100% tested
9. RoHS Compliant Component

DOC REV: A/1

2. Schematic:



3. Electrical Specifications: @25°C

OCL: 33uH±10% @1.0KHz 1.0V

Q: 5 Min @1.0KHz 1.0V

DCR: 0.011 Ohms Max

Isat: 31.0A Max (Based on 5% Typ drop in OCL)

Irated: 21.0A (Based on 40°C Typ Temp. Rise)

Hipot: 1000Vac Wdg to Core

SRF: 1.5 MHz Min

XFMRS Inc www.XFMRS.com	Title: Radial Leaded Inductor	
	UNLESS OTHERWISE SPECIFIED TOLERANCES: .xxx ±0.010 Dimensions in INCH	P/N: XFRL-1256-4-33 REV. A
SHEET 1 OF 1	DWN.	Xiang
	CHK.	YK Liao
	APP.	Joe Huff