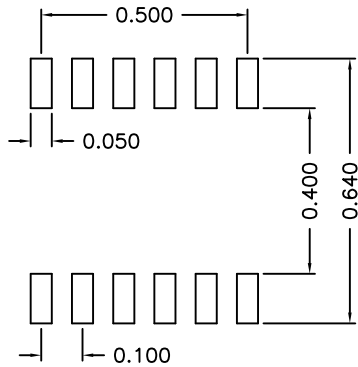
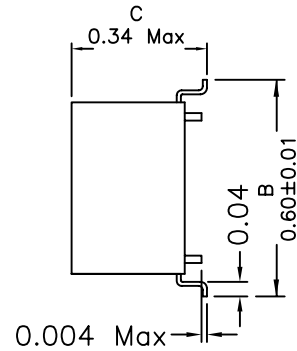
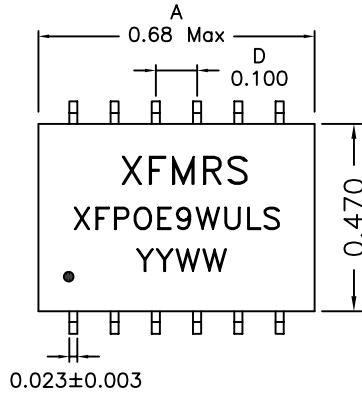


1. Dimensions:



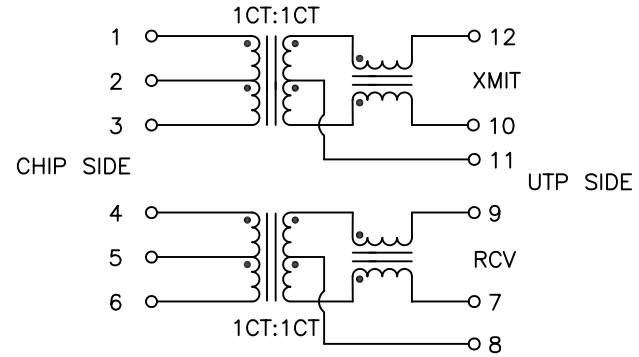
SUGGESTED PAD LAYOUT

Notes:

1. Solderability: Leads shall meet MIL-STD-202G, Method 208H for solderability.
2. Flammability: UL94V-0
3. ASTM oxygen index: > 28%
4. Insulation System: Class F 155°C. UL file E151556
5. Operating Temperature Range: All listed parameters are to be within tolerance from -25°C to +85°C
6. Storage Temperature Range: -55°C to +125°C
7. Aqueous wash compatible
8. SMD Lead Coplanarity: ±0.004"(0.102mm)
9. Electrical and mechanical specifications 100% tested
10. RoHS Compliant Component
11. Designed to meet UL60950 with supplementary insulation with an operating voltage up to 250Vrms.

DOC, REV A/2

2. Schematic:



3. Electrical Specifications: @25°C

- UTP Impedance: 100 OHMS
- Turns Ratio: TX=1CT:1CT±2% RX=1CT:1CT±2%
- Isolation Voltage: 2500Vrms, Input to Output
- UTP Side OCL: 350uH Min @100KHz 0.1V, 8mA_{dc}
- UTP Side Q: 16 Min @100KHz 0.1V,
- Rise Time (10-90%): 4.0ns Typical
- Insertion Loss (1-100MHz): -1.0dB Maximum
- Return Loss: 30MHz 60MHz 80MHz
-20dB -14dB -11.5dB Typ
- CMRR: 30MHz 50MHz 100MHz
-42dB -37dB -33dB Typ
- Crosstalk: 30MHz 60MHz 100MHz
-45dB -40dB -35dB Typ
- Balanced DC Line Current: 720mA Max @57Vdc continuous Pins 11, 8
1200mA Max @57Vdc for 200milliseconds Pins 11, 8

XFMRS Inc www.XFMRS.com	Title: 10/100 POE+ Ethernet		
	UNLESS OTHERWISE SPECIFIED TOLERANCES: .xxx ±0.010 Dimensions in Inch	P/N: XFPOE9WULS	REV. A
SCALE 3:1 SHT 1 OF 1	APP.	BW	Dec-28-09

PROPRIETARY

Document is the property of XFMRS Group & is not allowed to be duplicated without authorization.