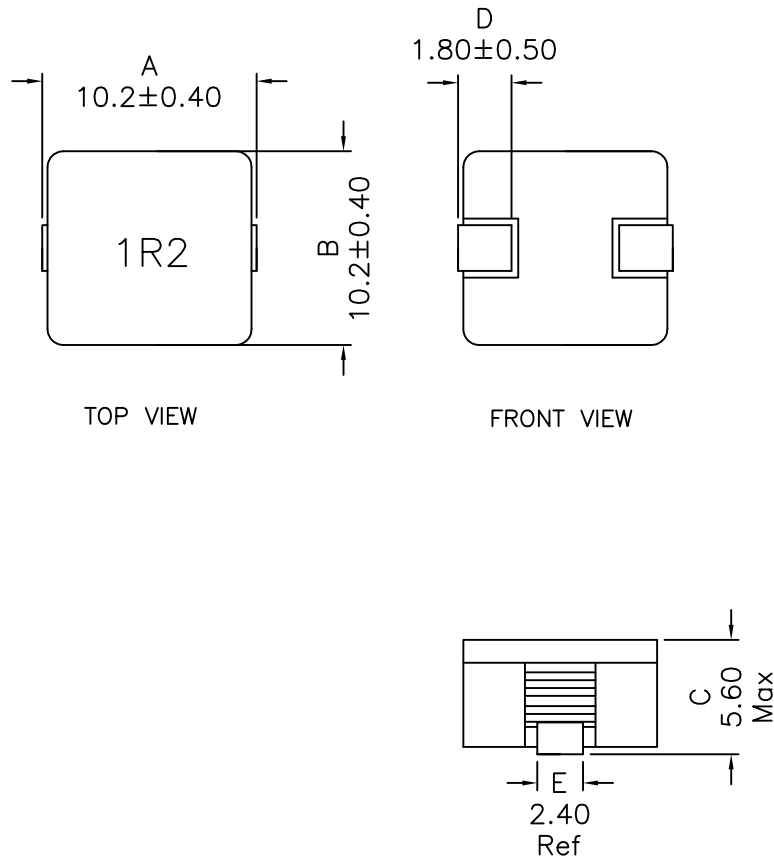
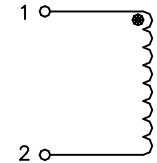


## 1. Mechanical Dimensions:



## 2. Schematic:



## 3. Electrical Specifications:

Inductance:  $1.2 \mu\text{H} \pm 20\%$  @100KHz 0.1V  
 $I_{\text{sat}}$ : 20Adc (apx 20% drop in L)  
 $I_{\text{rms}}$ : 14.3A (apx 40°C rise in 25°C ambient)  
 SRF: 65MHz Min  
 DC Res.: 2.5 mOhms Max  
 Q: 20 Min @100KHz 0.1V

### Notes:

- Solderability: Leads shall meet MIL-STD-202G, Method 208H for solderability.
- Flammability: UL94V-0
- ASTM oxygen index: > 28%
- Insulation System: Class F 155°C. UL file E151556
- Operating Temperature Range: All listed parameters are to be within tolerance from -40°C to +85°C
- Storage Temperature Range: -55°C to +125°C
- Aqueous wash compatible
- SMD Lead Coplanarity:  $\pm 0.004''$  (0.102mm)
- Electrical and mechanical specifications 100% tested
- RoHS Compliant Component

DOC REV: A/2

<b>XFMRs Inc</b> www.XFMRs.com	Title: INDUCTOR		
	UNLESS OTHERWISE SPECIFIED TOLERANCES: .xx $\pm 0.25$ Dimensions in MM	P/N: XFHCL9-1R2M	REV. A
SHEET 1 OF 1	DWN.	Juan Mao	Nov-10-15
	CHK.	YK Liao	Nov-10-15
	APP.	DDC	Nov-10-15