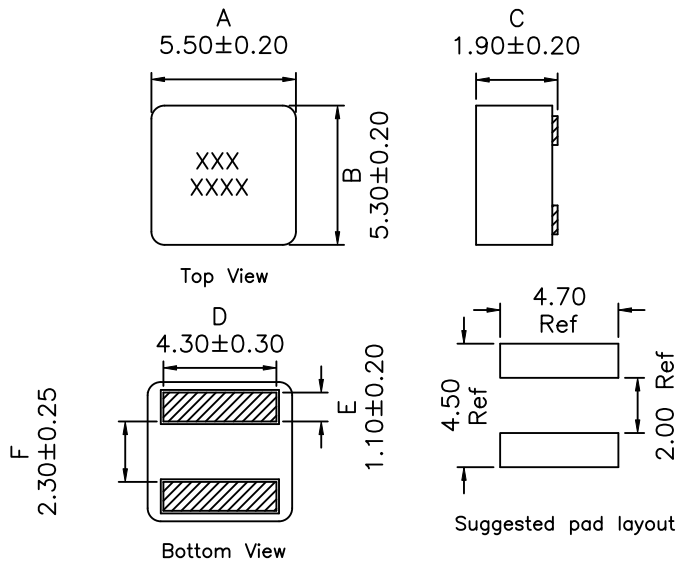
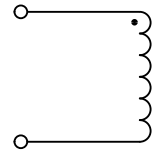


## XFHCL5020HC-xxxx INDUCTORS

### Mechanical Dimensions:



### Schematic:



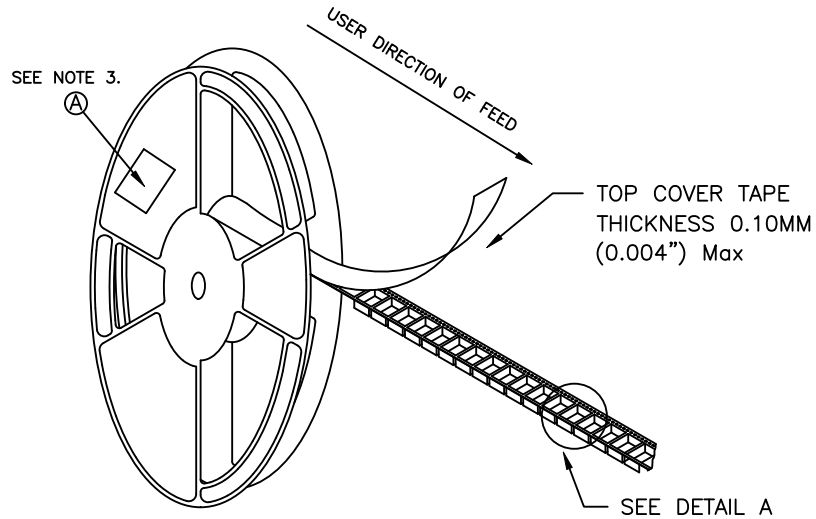
.xx ±0.25  
Dimensions in MM

P/N	L (μH)	RDC (mΩ)Typ	RDC (mΩ)Max	Isat(A) Typ.	Isat(A) Max.	Irms(A) Typ.	Irms(A) Max.
XFHCL5020HC-R16M	0.16±20%	1.8	2.1	37.0	33.0	30.0	26.0
XFHCL5020HC-R33M	0.33±20%	2.7	3.2	30.0	26.0	25.0	22.0
XFHCL5020HC-R47M	0.47±20%	3.9	4.3	23.0	20.0	22.1	19.0
XFHCL5020HC-R56M	0.56±20%	4.3	4.9	21.0	18.0	19.5	17.0
XFHCL5020HC-R68M	0.68±20%	5.5	6.1	20.0	17.0	18.0	16.0
XFHCL5020HC-R82M	0.82±20%	5.8	6.7	17.5	15.5	17.1	15.2
XFHCL5020HC-R86M	0.86±20%	6.8	7.8	17.0	15.0	16.0	14.0
XFHCL5020HC-R90M	0.90±20%	6.8	7.8	16.5	14.5	15.6	13.5
XFHCL5020HC-1R0M	1.00±20%	7.7	8.7	16.0	15.0	15.0	13.0
XFHCL5020HC-1R2M	1.20±20%	8.8	10.1	14.5	13.0	13.3	11.5
XFHCL5020HC-1R5M	1.50±20%	11.6	13.2	14.0	12.5	12.8	11.0
XFHCL5020HC-1R8M	1.80±20%	14.5	16.2	12.5	11.0	11.7	9.8
XFHCL5020HC-2R2M	2.20±20%	16.0	18.5	11.0	9.8	10.7	9.2
XFHCL5020HC-3R3M	3.30±20%	23.0	26.5	9.0	8.0	9.4	7.8
XFHCL5020HC-4R7M	4.70±20%	36.0	41.5	7.0	6.0	7.9	6.5

#### Notes:

- Solderability: Leads shall meet MIL-STD-202G, Method 208H for solderability.
- Flammability: UL94V-0
- ASTM oxygen index: > 28%
- Insulation System: Class F 155°C. UL file E151556
- Operating Temperature: -40°C to +125°C
- Storage Temperature Range: -55°C to +125°C
- Aqueous wash compatible
- SMD Lead Coplanarity: 0.004"(0.102mm) Max
- Electrical and mechanical specifications 100% tested
- RoHS Compliant Component
- Recommended IR Reflow peak temp of 260°C Max.
- Outsourced item processed & controlled under XFMRs QA system
- Measurement frequency of inductance value: at 100KHz, 1.0V
- Measurement ambient temperature of L, DCR and IDC: at 25°C
- Isat: DC current at which the inductance drops 30%(Typ.) from its value without current
- Irms: Average current for 40°C temperature rise from 25°C ambient(Typ.)

# TAPE AND REEL SPECIFICATION:

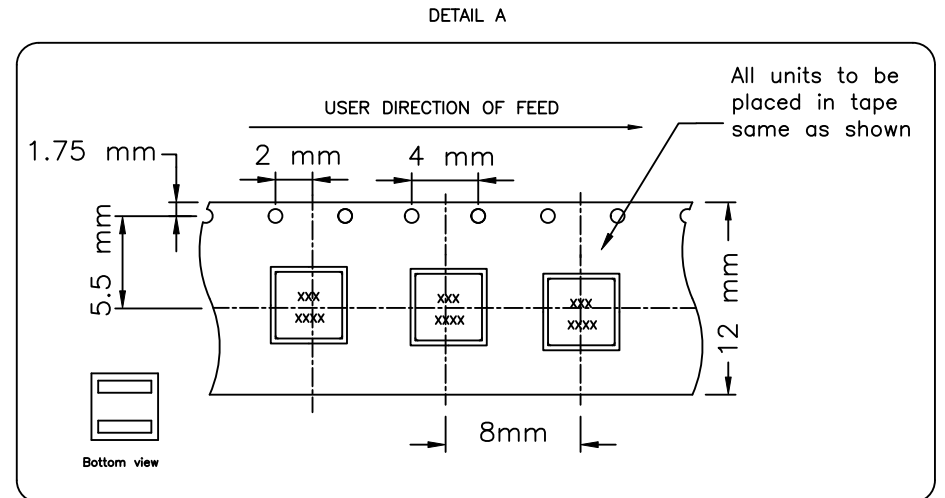


REEL AND TAPE ORIENTATION

**13" REEL DIAMETER**

## NOTES:

- 1) PROCESS IN ACCORDANCE WITH EIA-481-2 STANDARDS
  - \* TAPE LEADER DIMENSION 15.30" MIN.
  - \* TAPE TRAILER DIMENSION 6.30" MIN.
- 2) PARTS SHOULD BE PACKAGED IN ACCORDANCE WITH ESD GUIDELINES IN EIA-541.
- 3) REEL LABEL: 'A' \* CUSTOMER PART NUMBER
  - \* QUANTITY
  - \* DATE CODE
- 4) 3000PCS PER 13"REEL



DOC.REV.A/1

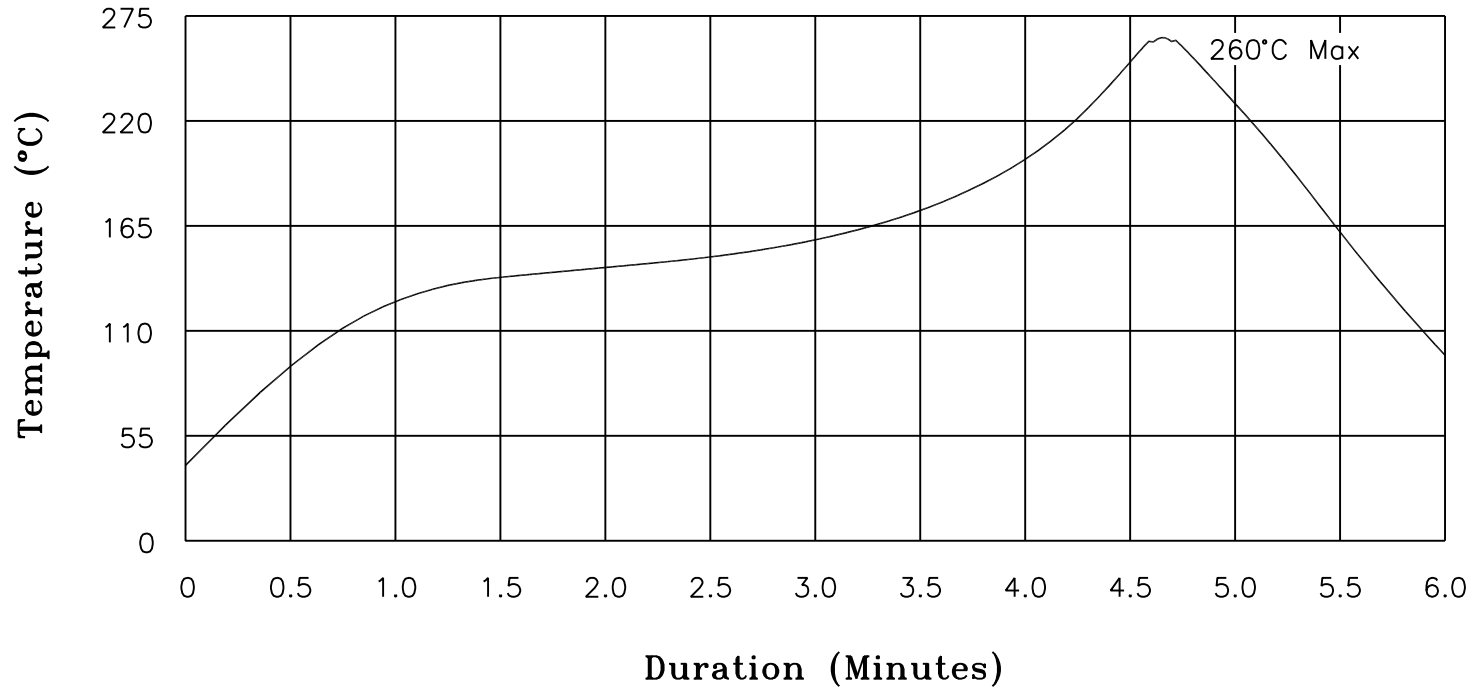
<b>XFMRs Inc</b>	Title: <b>T&amp;R SPEC</b>	
	UNLESS OTHERWISE SPECIFIED TOLERANCES: .xxs ±xxxx Dimensions in mm	
	P/N:XFHCL5020HCx	REV. A
	DWN. Kong	Oct-18-23
SHT 1 OF 1	CHK. YK Liao	Oct-18-23
	APP. VL	Oct-18-23

**PROPRIETARY**

Document is the property of XFMRs Group & is not allowed to be duplicated without authorization.

# XFMRs

## Recommended Infrared Reflow Temperature Profile for RoHS Compliant Parts



NOTES: Maximum duration at 260°+0/-5° shall be 10-15 seconds.  
 Maximum duration above 217° shall be 60-150 seconds.  
 ALL Temperatures refer to topside of the package, measured on the package body surface.

<b>XFMRs Inc</b> www.XFMRs.com	Title: <b>IR REFLOW CHART</b> <b>(RoHS Compliant parts)</b>		
	UNLESS OTHERWISE SPECIFIED TOLERANCES: N/A		P/N: N/A REV. A
SHEET 1 OF 1	DWN.	Juan Mao	Jan-16-05
	CHK.	YK Liao	Jan-16-05
	APP.	MS	Jan-16-05

**PROPRIETARY** Document is the property of XFMRs Group & is not allowed to be duplicated without authorization.