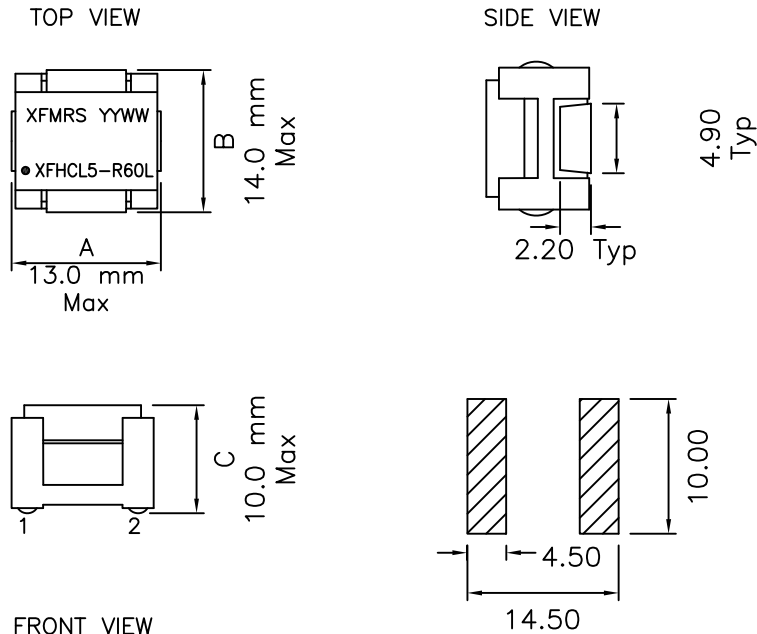
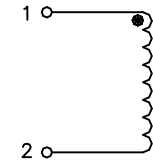


## 1. Mechanical Dimensions:



## 2. Schematic:



## 3. Electrical Specifications:

INDUCTANCE: TBDuH±15% @300KHz 0.25V, 0.0Adc  
 INDUCTANCE: 600nH±15% @300KHz 0.25V, 35Adc  
 DC Res.: 0.00138 OHMS Max  
 Isat: 35.0Adc Typ  
 Irms: 38.60Adc Typ

### Notes:

1. Solderability: Leads shall meet MIL-STD-202G, Method 208H for solderability.
2. Flammability: UL94V-0
3. ASTM oxygen index: > 28%
4. Insulation System: Class F 155°C. UL file E151556
5. Operating Temperature Range: All listed parameters are to be within tolerance from -40°C to +85°C
6. Storage Temperature Range: -55°C to +125°C
7. Aqueous wash compatible
8. SMD Lead Coplanarity: ±0.004"(0.102mm)
9. Electrical and mechanical specifications 100% tested
10. RoHS Compliant Component

DOC. REV: A/3

<b>XFMR5 Inc</b> www.XFMR5.com	Title: <b>HIGH CURRENT INDUCTOR</b>		
	UNLESS OTHERWISE SPECIFIED TOLERANCES: .xx ±0.25 Dimensions in MM	P/N: XFHCL5-R60L	REV. A
	DWN.	Yuan	Nov-06-12
	CHK.	YK Liao	Nov-06-12
SHEET 1 OF 1	APP.	BSJ	Nov-06-12