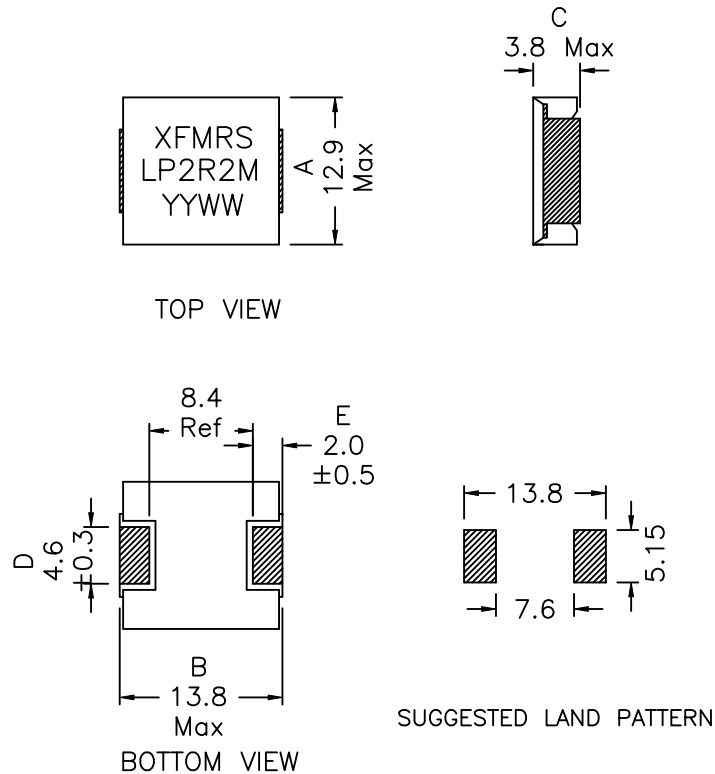
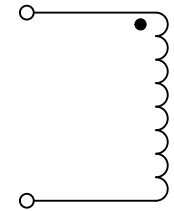


1. Mechanical Dimensions:



2. Schematic:



3. Electrical Specifications: @25C

OCL: 2.2uH±20% @100KHz 0.1V

Q: 20.0 Min @100KHz 0.1V

DC Res.: 7.2 mOhms Typ, 8.0 mOhms Max

Isat: 29Adc (Based on 20% drop in OCL)

IRated: 16Adc (Based on 40°C Temp Rise)

SRF: 23MHz Typ

Notes:

1. Solderability: Leads shall meet MIL-STD-202G, Method 208H for solderability.
2. Flammability: UL94V-0
3. ASTM oxygen index: > 28%
4. Insulation System: Class F 155°C. UL file E151556
5. Operating Temperature Range: All listed parameters are to be within tolerance from -40°C to +85°C
6. Storage Temperature Range: -55°C to +125°C
7. Aqueous wash compatible
8. SMD Lead Coplanarity: ±0.004"(0.102mm)
9. Electrical and mechanical specifications 100% tested
10. RoHS Compliant Component
11. Outsourced item processed & controlled under XFMRS QA system
12. AEC-Q200 Certified Product

DOC. REV: A/6

XFMRS Inc www.XFMRS.com		Title: SMT POWER INDUCTOR		
UNLESS OTHERWISE SPECIFIED TOLERANCES: XX ±0.25 Dimensions in MM		P/N: XFHCL4LP-2R2M	REV A	
		DWN.	Yuan	Mar-28-22
		CHK.	YK Liao	Mar-28-22
SHT 1 OF 1		APP.	TCH	Mar-28-22