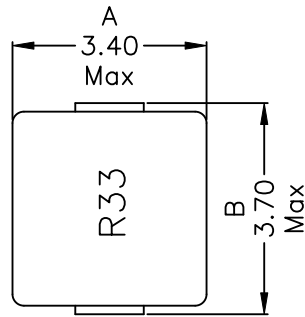
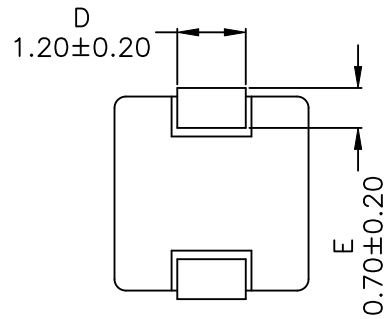
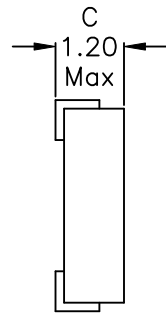


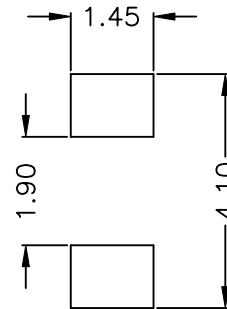
1. Mechanical Dimensions:



Top View

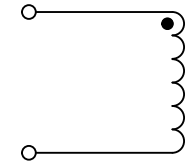


Bottom View



Suggested PCB Layout

2. Schematic:



3. Electrical Specifications: @25°C

OCL: 0.33uH±20% @100KHz, 1.0V

Q: tbd Min @100KHz, 1.0V

DCR: 20.0mOhms Max (16.0mOhms Typ)

Irms: 6.20Adc (Based on 40°C Typ Temp Rise)

Isat: 9.20Adc (Based on 30% Typ drop in OCL)

SRF: tbd Min

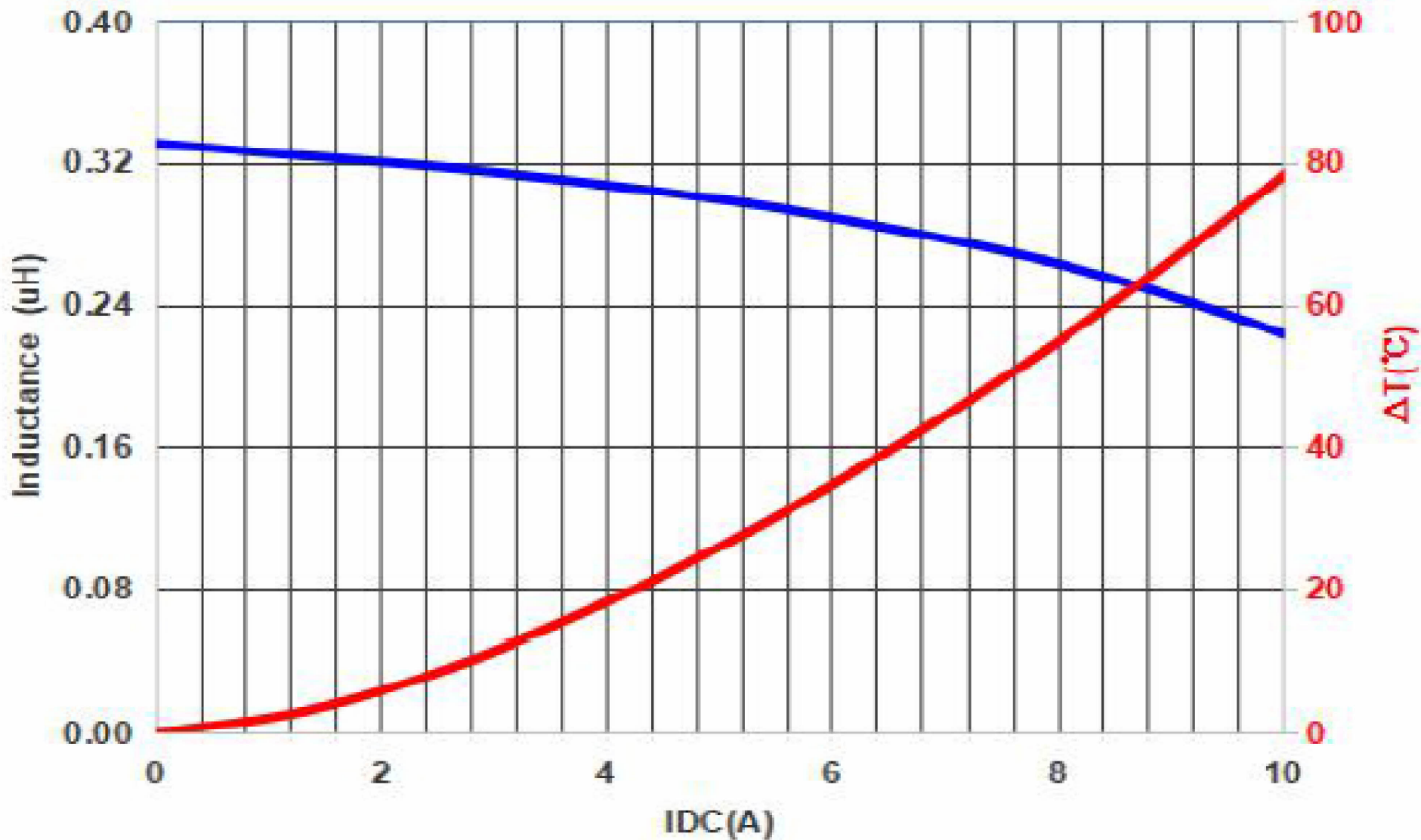
PRELIMINARY

Notes:

1. Solderability: Leads shall meet MIL-STD-202G, Method 208H for solderability.
2. Flammability: UL94V-0
3. ASTM oxygen index: > 28%
4. Insulation System: Class F 155°C. UL file E151556
5. Operating Temperature : -55°C to +125°C
6. Storage Temperature Range: -55°C to +125°C
7. Aqueous wash compatible
8. SMD Lead Coplanarity: 0.004"(0.102mm) Max
9. Electrical and mechanical specifications 100% tested
10. RoHS Compliant Component
11. Recommended IR Reflow peak temp of 260°C Max.
12. Outsourced item processed & controlled under XFMRs QA system

DOC. REV: A/-

XFMRs [®] www.XFMRs.com		Title: SHIELDED INDUCTOR	
UNLESS OTHERWISE SPECIFIED TOLERANCES: .xx ±0.25 Dimensions in MM	P/N: XFHCL38LP-R33M		REV. A
	DWN.	Huo	Aug-21-20
	CHK.	YK Liao	Aug-21-20
SHEET 1 OF 2	APP.	TCH	Aug-21-20

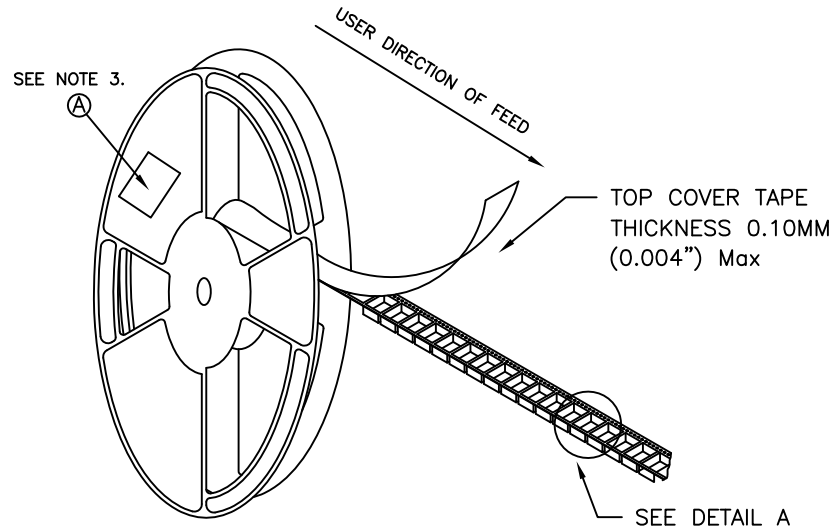


DOC. REV: A/-

XFMRs ® www.XFMRs.com		Title: SHIELDED INDUCTOR	
UNLESS OTHERWISE SPECIFIED TOLERANCES: .xx ±0.25 Dimensions in MM	P/N: XFHCL38LP-R33M		REV. A
	DWN.	Huo	Aug-21-20
	CHK.	YK Liao	Aug-21-20
	APP.	TCH	Aug-21-20
SHEET 1 OF 2			

PROPRIETARY Document is the property of XFMRs Group & is not allowed to be duplicated without authorization.

TAPE AND REEL SPECIFICATION:

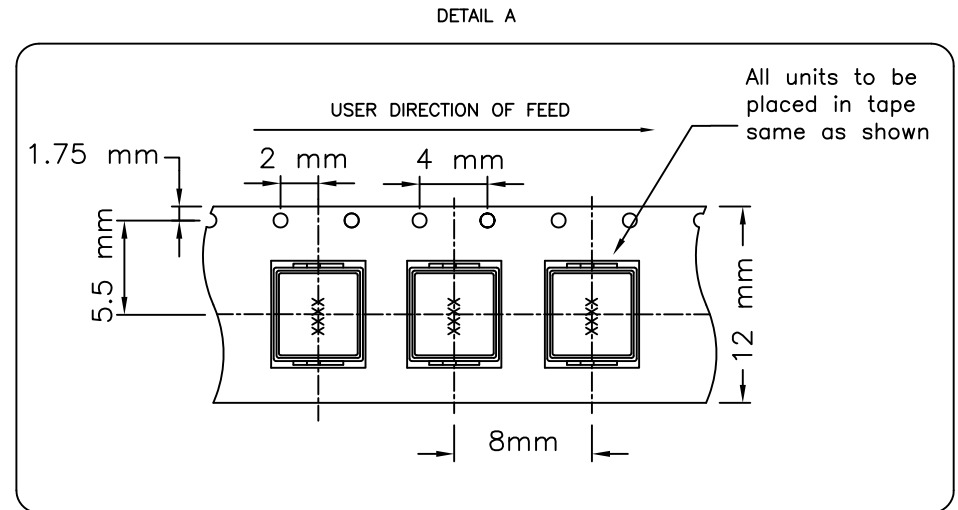


REEL AND TAPE ORIENTATION

13" REEL DIAMETER

NOTES:

- 1) PROCESS IN ACCORDANCE WITH EIA-481-2 STANDARDS
 - * TAPE LEADER DIMENSION 15.30" MIN.
 - * TAPE TRAILER DIMENSION 6.30" MIN.
- 2) PARTS SHOULD BE PACKAGED IN ACCORDANCE WITH ESD GUIDELINES IN EIA-541.
- 3) REEL LABEL: 'A' * CUSTOMER PART NUMBER
 - * QUANTITY
 - * DATE CODE
- 4) 4000PCS PER 13" REEL



DOC.REV.A/1

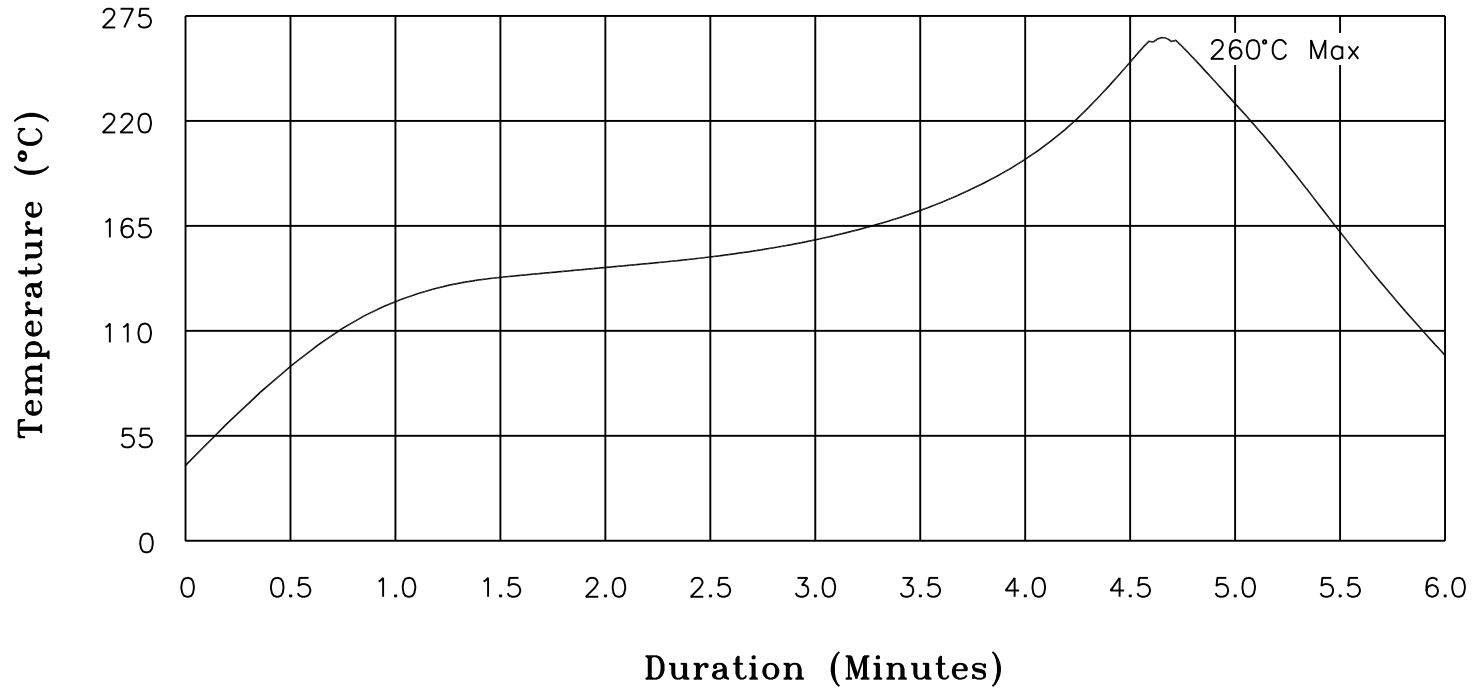
XFMRs Inc	Title: T&R SPEC		
	UNLESS OTHERWISE SPECIFIED TOLERANCES: .xxs ±xxxx Dimensions in mm	P/N: XFHCL38LP Series	REV. A
SHT 1 OF 1	DWN.	Kong	Aug-27-18
	CHK.	YK Liao	Aug-27-18
	APP.	BW	Aug-27-18

PROPRIETARY

Document is the property of XFMRs Group & is not allowed to be duplicated without authorization.

XFMRs

Recommended Infrared Reflow Temperature Profile for RoHS Compliant Parts



NOTES: Maximum duration at 260°+0/-5° shall be 10-15 seconds.
 Maximum duration above 217° shall be 60-150 seconds.
 ALL Temperatures refer to topside of the package, measured on the package body surface.

XFMRs Inc www.XFMRs.com	Title: IR REFLOW CHART (RoHS Compliant parts)		
	UNLESS OTHERWISE SPECIFIED TOLERANCES: N/A		P/N: N/A REV. A
SHEET 1 OF 1	DWN.	Juan Mao	Jan-16-05
	CHK.	YK Liao	Jan-16-05
	APP.	MS	Jan-16-05

PROPRIETARY Document is the property of XFMRs Group & is not allowed to be duplicated without authorization.