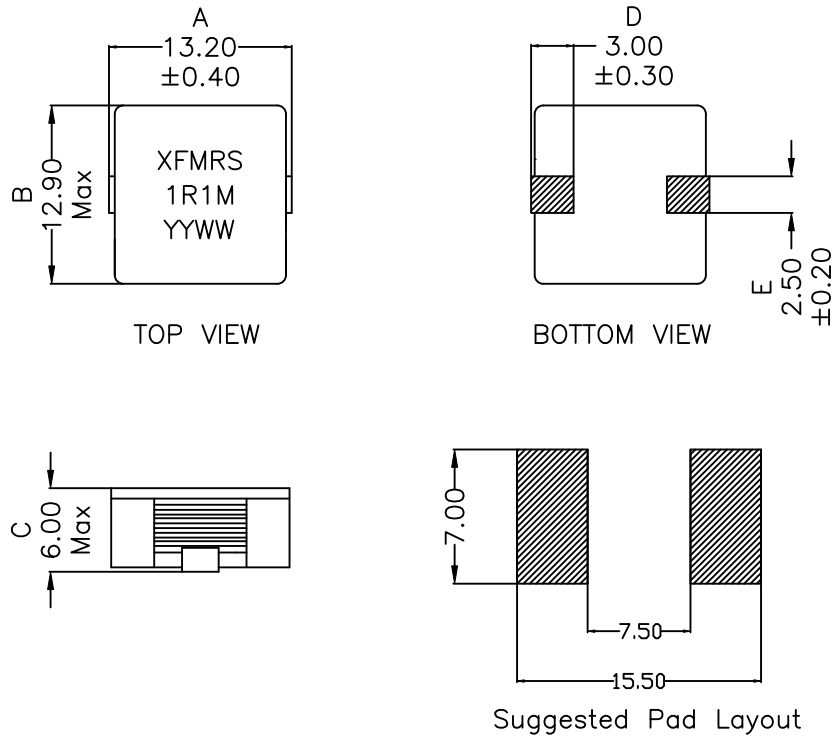


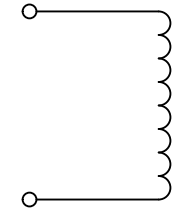
## 1. Mechanical Dimensions:



### Notes:

1. Solderability: Leads shall meet MIL-STD-202, Method 208D for solderability.
2. Flammability: UL94V-0
3. ASTM oxygen index: > 28%
4. Insulation System: Class F 155°C. UL file E151556
5. Operating Temperature Range: -30°C to +100°C
6. Storage Temperature Range: -55°C to +125°C
7. Aqueous wash compatible
8. SMD Lead Coplanarity:  $\pm 0.004''$  (0.102mm)
9. Moisture Sensitivity: Level 3
10. Electrical and mechanical specifications 100% tested
11. Recommended IR Reflow peak temp of 250°C Max.

## 2. Schematic:



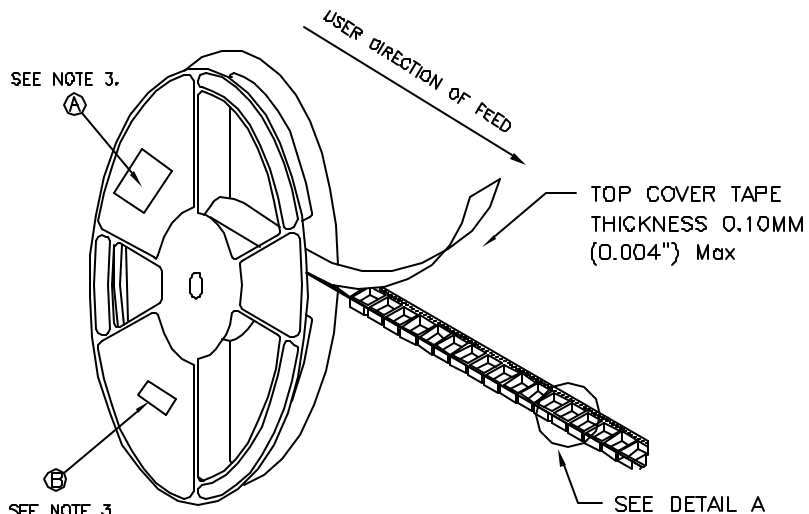
## 3. Electrical Specifications: @25°C

OCL: 1.06 $\mu$ H  $\pm 20\%$  @100KHz, 0.1V, 16Adc  
 OCL: 0.99 $\mu$ H  $\pm 20\%$  @100KHz, 0.1V, 22Adc  
 Q: 12 Min @100KHz, 0.1V  
 DCR: 2.24 mOhms Max  
 SRF: 42MHz Min

Doc. Rev. A/5

<b>XFMRS®</b> www.XFMRS.com	Title: <b>Power Inductor</b>		
	UNLESS OTHERWISE SPECIFIED	P/N: XFHCL2-1R1M	REV. A
TOLERANCES: .xx $\pm 0.25$ Dimensions in MM	DWN.	Yu	Oct-22-19
	CHK.	YK Liao	Oct-22-19
SHEET 1 OF 1	APP.	TCH	Oct-22-19

# TAPE AND REEL SPECIFICATION:



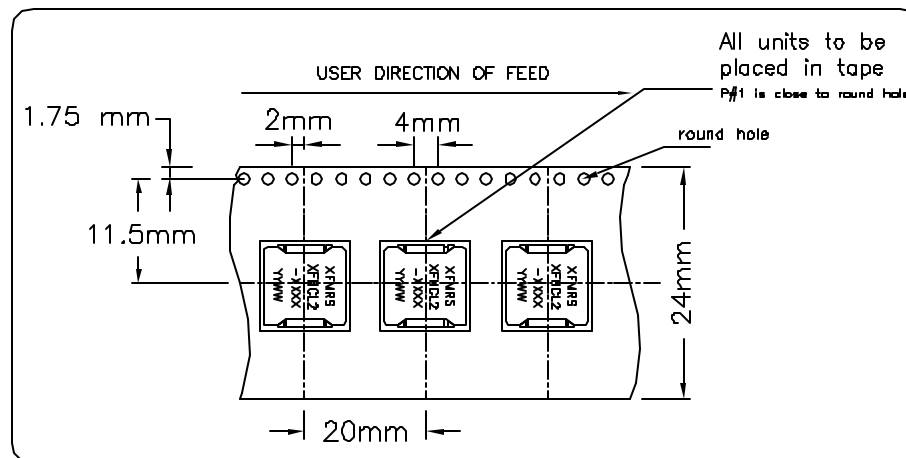
REEL AND TAPE ORIENTATION

**13" REEL DIAMETER**

## NOTES:

- 1) PROCESS IN ACCORDANCE WITH EIA-481-2 STANDARDS
  - \* TAPE LEADER DIMENSION 15.30" MIN.
  - \* TAPE TRAILER DIMENSION 6.30" MIN.
- 2) PARTS SHOULD BE PACKAGED IN ACCORDANCE WITH ESD GUIDELINES IN EIA-541.
- 3) REEL LABEL: 'A' \* PART NUMBER
  - \* QUANTITY
  - \* DATE CODE
- 4) 250pcs PER 13" REEL

DETAIL A



DOC REV: A/3

<b>XFMR5 Inc</b> www.XFMR5.com	Title: T&R SPEC		
	UNLESS OTHERWISE SPECIFIED	P/N: XFHCL2-XXXX	REV: A
TOLERANCES: .xxs ±0.05	DWN.	Kong	Nov-18-10
Dimensions in mm	CHK.	YK Liao	Nov-18-10
SHT 2 OF 2	APP.	Joe Huff	Nov-18-10