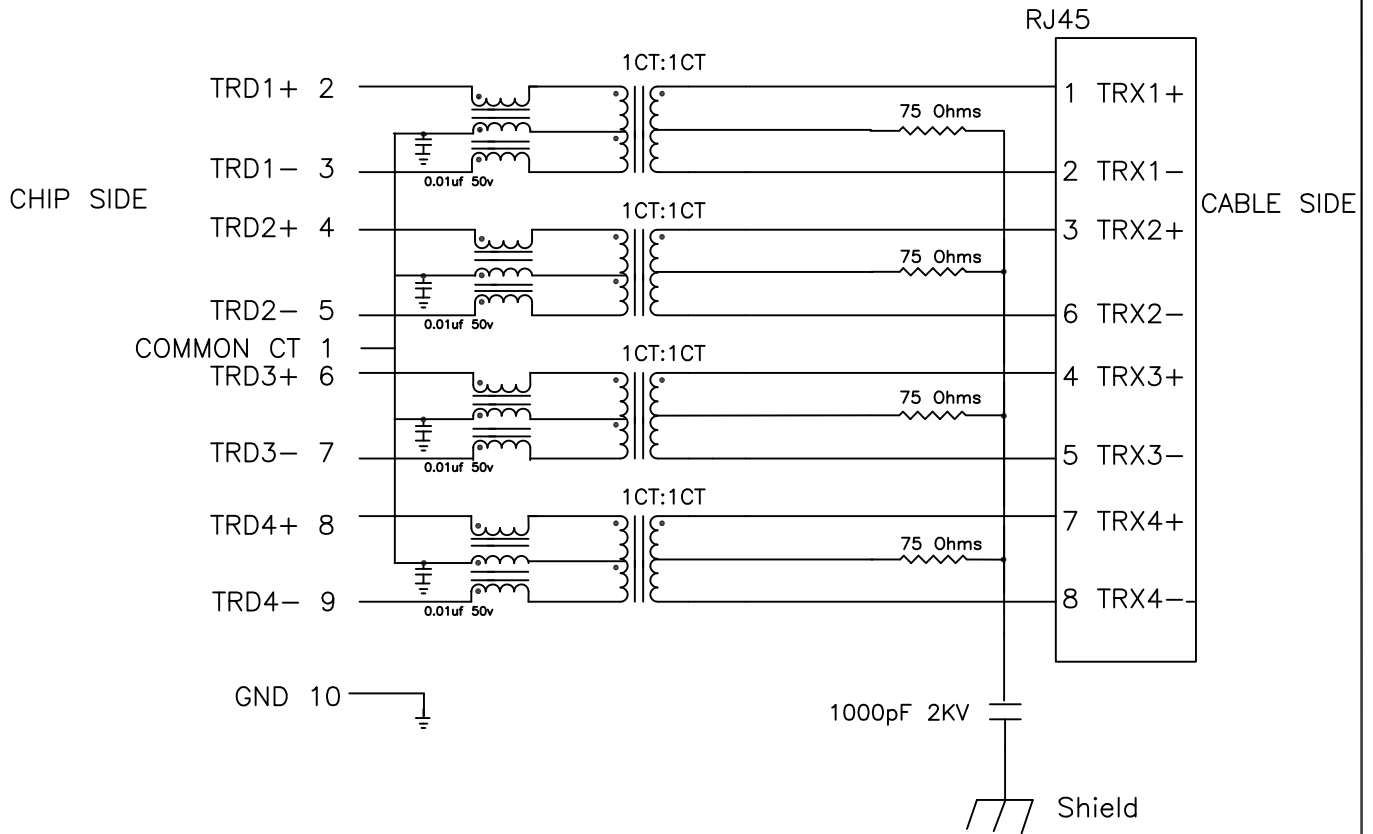


Schematic: (SINGLE PORT)



Electrical Specifications: @25°C

ISOLATION: 1500 Vrms
 TURNS RATIO: (PRI/SEC) 1CT:1CT ±2%
 OCL: 350uH MIN @100KHz 100mV 8mADC
 Rise Time: 1.75ns Max.
 INSERTION LOSS: -1.0dB Max @1MHz-100MHz
 -1.5dB Max @100-125MHz
 RETURN LOSS: -18dB Min @1-30MHz
 -15dB Min @40MHz -13.1dB Min @50MHz
 -12dB Min @60-80MHz -10dB Min @100MHz
 Differential to Common Mode Rejection:
 -43dB Typ @30MHz -37dB Typ @80MHz
 -33dB Typ @100MHz
 CMRR: -30dB Min @1-100MHz
 Crosstalk: -45dB Min @30MHz
 -40dB Min @60MHz -35dB Min @100MHz
 Q: 5 Min @100KHz 0.1V

PRELIMINARY

Notes:

1. Solderability: Leads shall meet MIL-STD-202G, Method 208H for solderability.
2. Flammability: UL94V-0
3. ASTM oxygen index: > 28%
4. UL Recognized Component: File Number E165866
5. Operating Temperature Range: All listed parameters are to be within tolerance from -40°C to +85°C
6. Storage Temperature Range: -55°C to +125°C
7. Aqueous wash compatible
8. Electrical and mechanical specifications 100% tested
9. RoHS Compliant Component

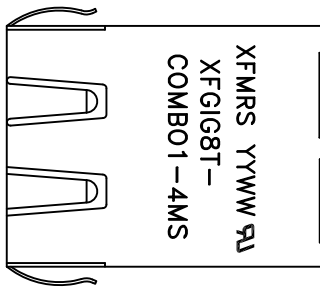
DOC REV: A/1

XFMRS Inc www.XFMRS.com	Title: "0.850" TAB DOWN GIGABIT NO LED COMBO		
	UNLESS OTHERWISE SPECIFIED TOLERANCES: .xxx ±0.010 Dimensions in Inch	P/N: XFGIG8T-COMBO1-4MS	REV. A
SHEET 1 OF 2	DWN.	Yuan	Dec-23-13
	CHK.	YK Liao	Dec-23-13
	APP.	BSJ	Dec-23-13

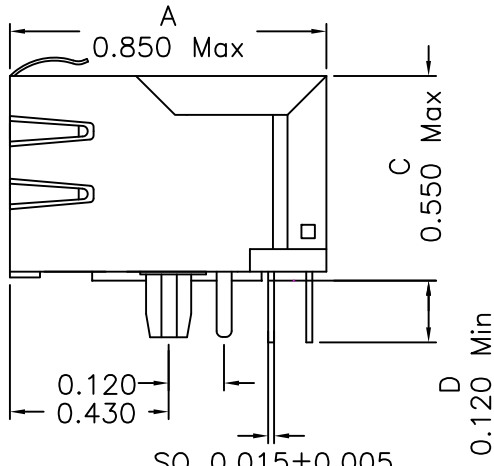
PROPRIETARY

Document is the property of XFMRS Group & is not allowed to be duplicated without authorization.

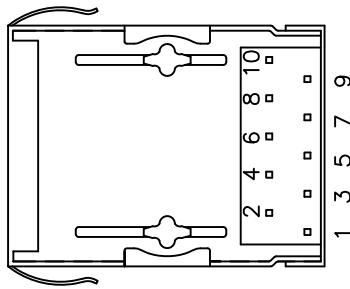
Mechanical Dimensions:



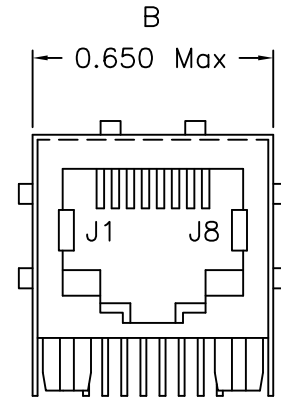
(TOP VIEW)



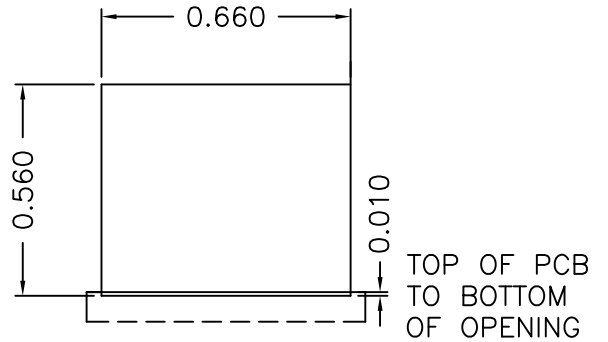
(SIDE VIEW)



(BOTTOM VIEW)

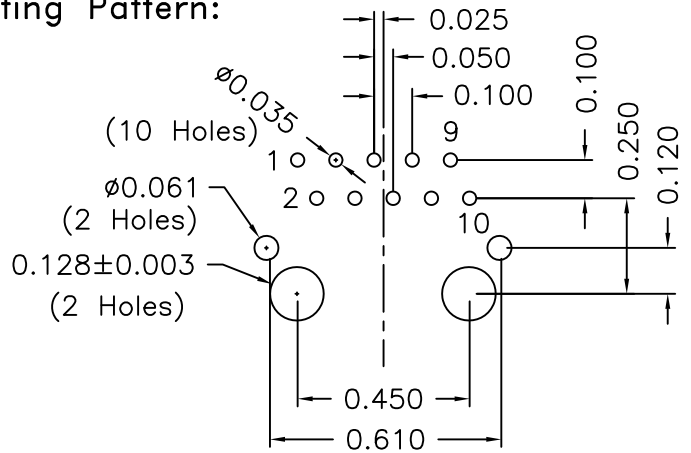


(FRONT VIEW)



SUGGESTED PANEL CUTOUT DIMENSIONS

Mounting Pattern:



PRELIMINARY

DOC. REV: A/1

XFMRS Inc. www.XFMRS.com	Title: Mechanical Dimensions For COMBO1-4MS Series		
UNLESS OTHERWISE SPECIFIED TOLERANCES: .xxx ±0.010 Dimensions in Inch	P/N: XFGIG8T-COMBO1-4MS	REV. A	
	DWN.	Yuan	Dec-23-13
	CHK.	YK Liao	Dec-23-13
SHEET 2 OF 2	APP.	BSJ	Dec-23-13

PROPRIETARY:

Document is the property of XFMRS Group & is not allowed to be duplicated without authorization.