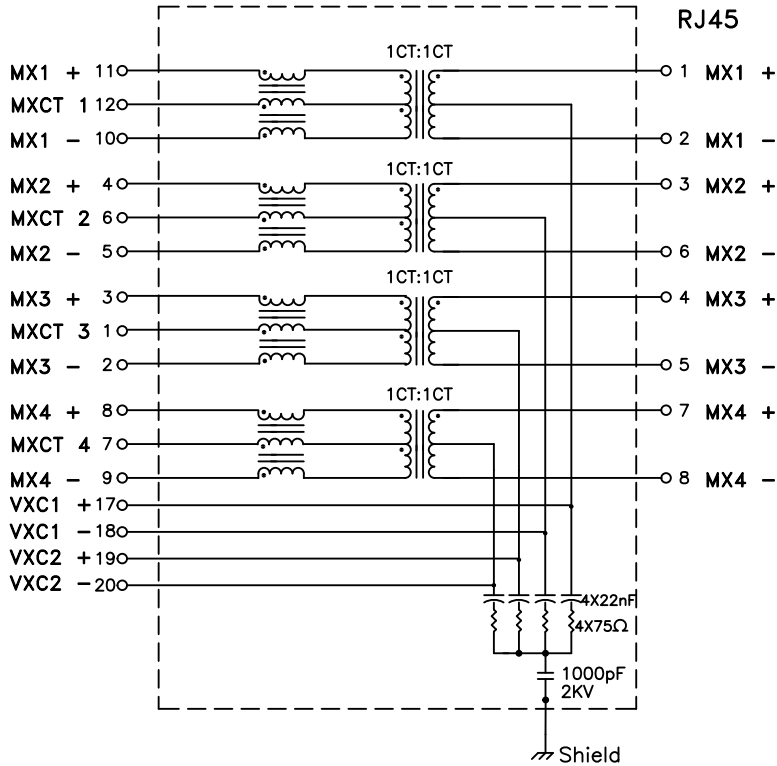


Schematic:



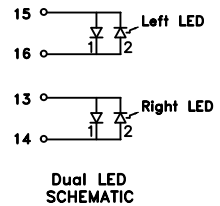
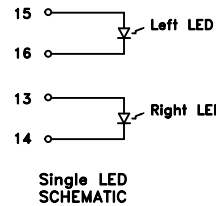
Electrical Specifications: @25°C

- Isolation Voltage: 1500 Vrms @60Hz 1MIN
- Common Mode Rejection: @1-50MHz -30dB Typ
@50-130MHz -20dB Typ
- Crosstalk: @1-10MHz -40dB Typ
@30-60MHz -35dB Typ
@60-100MHz -30dB Typ
- Insertion Loss (1-100MHz): -1.0dB Typ
- Return Loss: @1-10MHz -20dB Typ
@30MHz -16dB Typ
@60-80MHz -12dB Typ
- Q: 18 Min @100KHz 0.1V
- DC Current: 700mA Max @57Vdc Continuous
1.2A Max @57Vdc for 200 milliseconds

Notes:

1. Solderability: Leads shall meet MIL-STD-202G, Method 208H for solderability.
2. Flammability: UL94V-0
3. ASTM oxygen index: > 28%
4. UL Recognized Component: File Number E200238
5. Operating Temperature Range: All listed parameters are to be within tolerance from -40°C to +85°C
6. Storage Temperature Range: -55°C to +125°C
7. Aqueous wash compatible
8. Electrical and mechanical specifications 100% tested
9. RoHS Compliant Component

DOC. REV: A/3

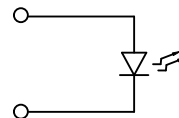


Complete the Combo P/N as follows:

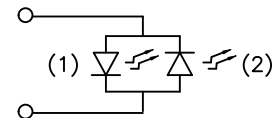
Replace 'x' & 'u' in the part number with one of the LED color letters:

- Y=Yellow
- G=Green
- A=Amber
- R=Red
- C=Green(1)/Amber(2) Bicolor
- D=Amber(1)/Green(2) Bicolor
- M=Green(1)/Yellow(2) Bicolor
- N=Yellow(1)/Green(2) Bicolor
- P=Red(1)/Green(2) Bicolor
- Q=Green(1)/Red(2) Bicolor
- 'x' = Left LED Color
- 'u' = Right LED Color

Single Color LED:



Bi-Color LED:



PROPRIETARY:

Document is the property of XFMRS Group & is not allowed to be duplicated without authorization.

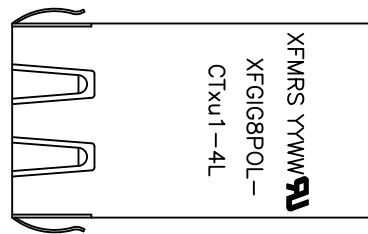
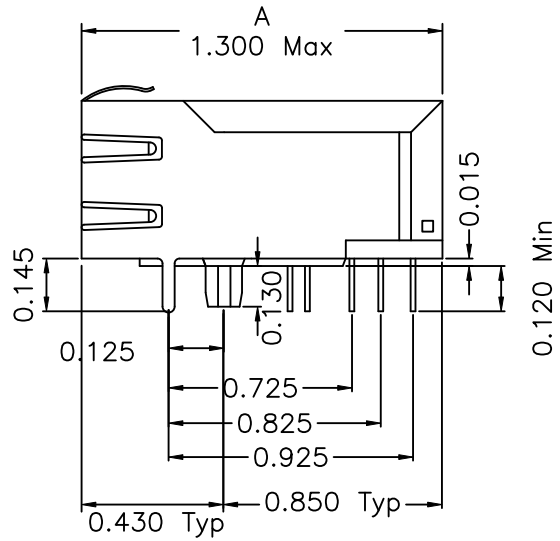
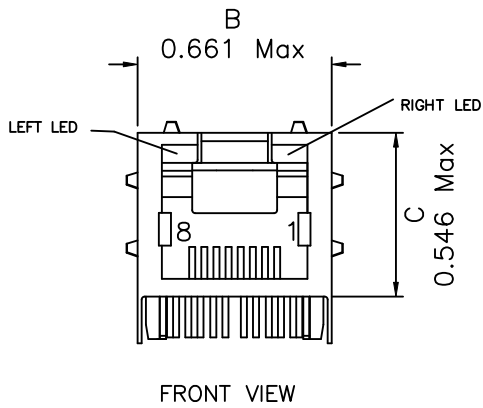
XFMRS Inc
www.XFMRS.com

Title: **SINGLE PORT COMBO w/LEDs, GigE POE+**

UNLESS OTHERWISE SPECIFIED
TOLERANCES:
.xxx ±0.010
Dimensions in Inch
SHEET 1 OF 2

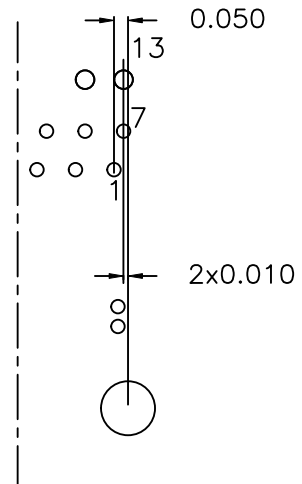
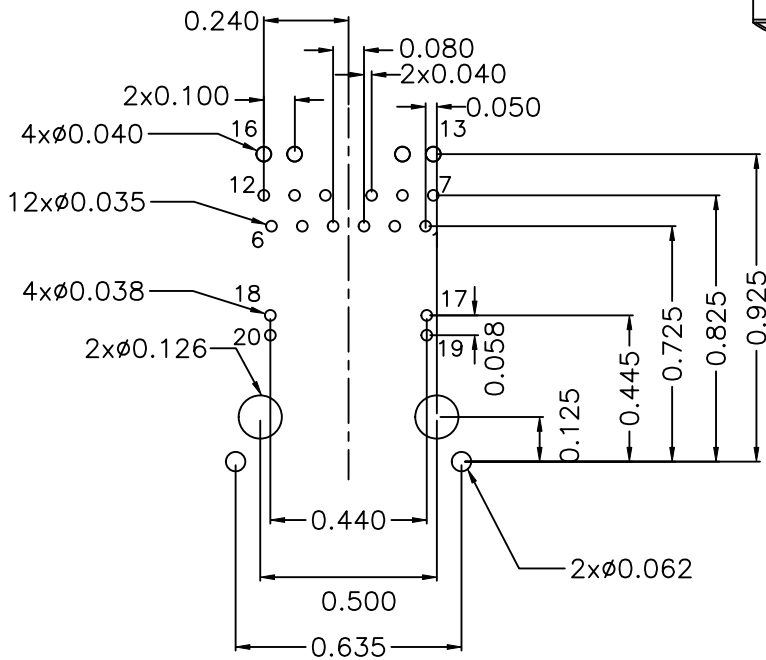
| | |
|-------------------------|-----------|
| P/N: XFGIG8POL-CTxu1-4L | REV. A |
| DWN. Feng | Jul-24-24 |
| CHK. YK Liao | Jul-24-24 |
| APP. VL | Jul-24-24 |

Mechanical Dimensions:



TOP VIEW

Mounting Pattern:



DOC REV: A/3

PROPRIETARY:

Document is the property of XFMRS Group & is not allowed to be duplicated without authorization.

| | | | |
|--|--|---|-----------|
| XFMRS Inc www.XFMRS.com | | Title: Mechanical Dimensions For TAB UP RJ45 COMBO | |
| UNLESS OTHERWISE SPECIFIED TOLERANCES: .xxx ±0.010 Dimensions in Inch | | P/N: XFGIG8POL-CTxu1-4L | REV. A |
| SHEET 2 OF 2 | | DWN. Feng | Jul-24-24 |
| | | CHK. YK Liao | Jul-24-24 |
| | | APP. VL | Jul-24-24 |