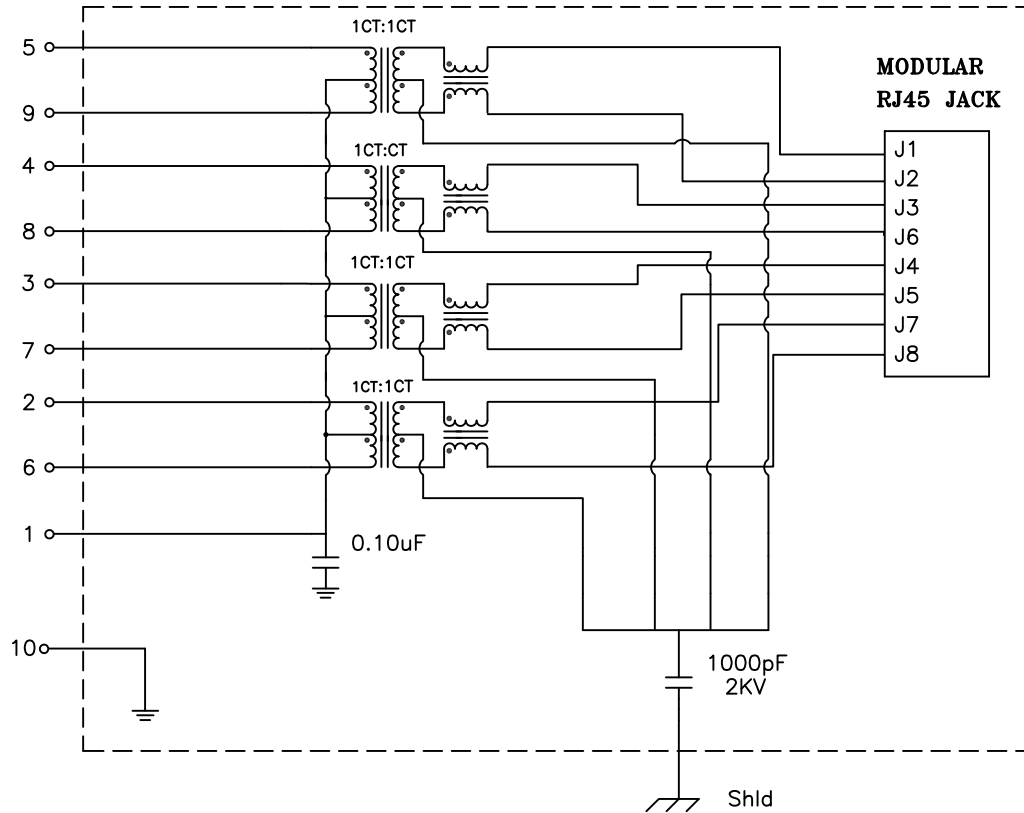


## Schematic: (SINGLE PORT)



## Electrical Specifications: @25°C

ISOLATION: 1500 Vrms  
 TURNS RATIO: (PRI/SEC) 1CT:1CT ±2%  
 OCL: 350uH MIN @100KHz 100mV 8mA DC  
 Rise Time: 1.75ns Max.  
 INSERTION LOSS: -1.0dB MAX @1MHz-100MHz  
 -1.5dB MAX @100-125MHz  
 RETURN LOSS: -18dB Min @1-30MHz  
 -15dB Min @40MHz -13.1dB Min @50MHz  
 -12dB Min @60-80MHz -10dB Min @100MHz  
 Differential to Common Mode Rejection:  
 -43dB Min @30MHz -37dB Min @80MHz  
 -33dB Min @100MHz  
 CMRR: -30dB Min @1-100MHz  
 Crosstalk: -45dB Min @30MHz  
 -40dB Min @60MHz -35dB Min @100MHz

### Notes:

1. Solderability: Leads shall meet MIL-STD-202G, Method 208H for solderability.
2. Flammability: UL94V-0
3. ASTM oxygen index: > 28%
4. UL Recognized Component: File Number E165866
5. Operating Temperature Range: All listed parameters are to be within tolerance from -40°C to +85°C
6. Storage Temperature Range: -55°C to +125°C
7. Aqueous wash compatible
8. Electrical and mechanical specifications 100% tested
9. RoHS Compliant Component

DOC REV.: A/1

**XFMRs Inc.**  
 www.XFMRS.com

Title: SINGLE PORT GIG COMBO

UNLESS OTHERWISE SPECIFIED  
 TOLERANCES:  
 .xxx ±0.010  
 Dimensions in Inch

P/N: XFGIG8KA-LCV1-2M

REV. A

DWN.

Xiany

Dec-04-12

CHK.

YK Liao

Dec-04-12

APP.

BSJ

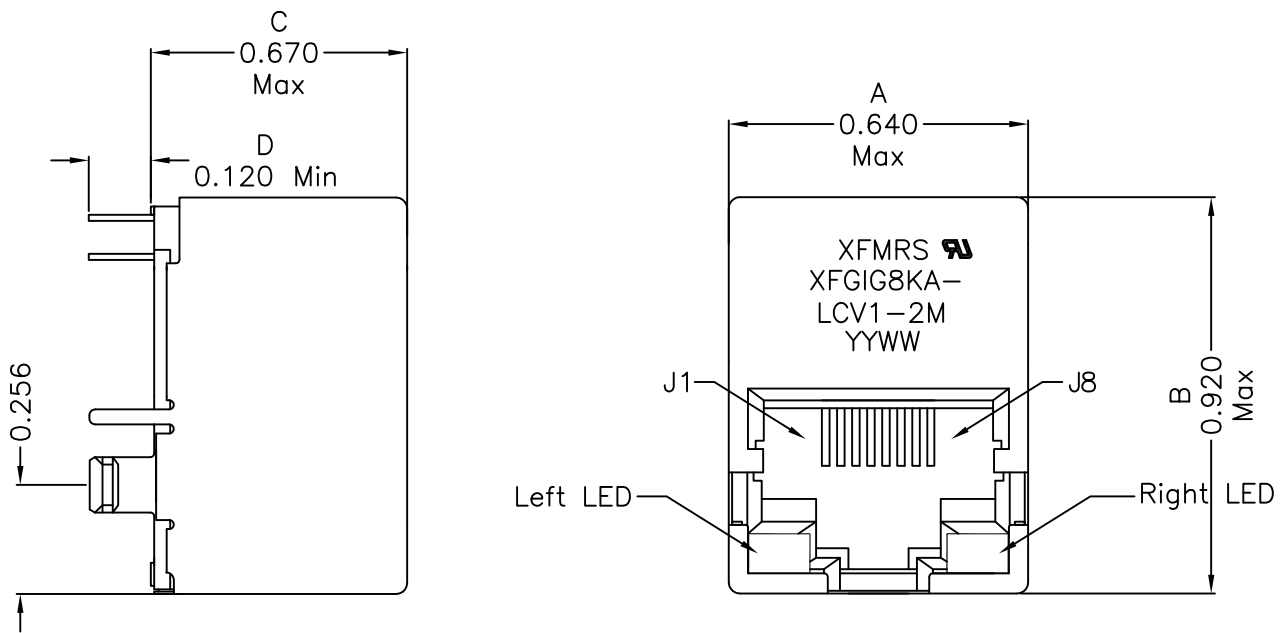
Dec-04-12

SHEET 1 OF 2

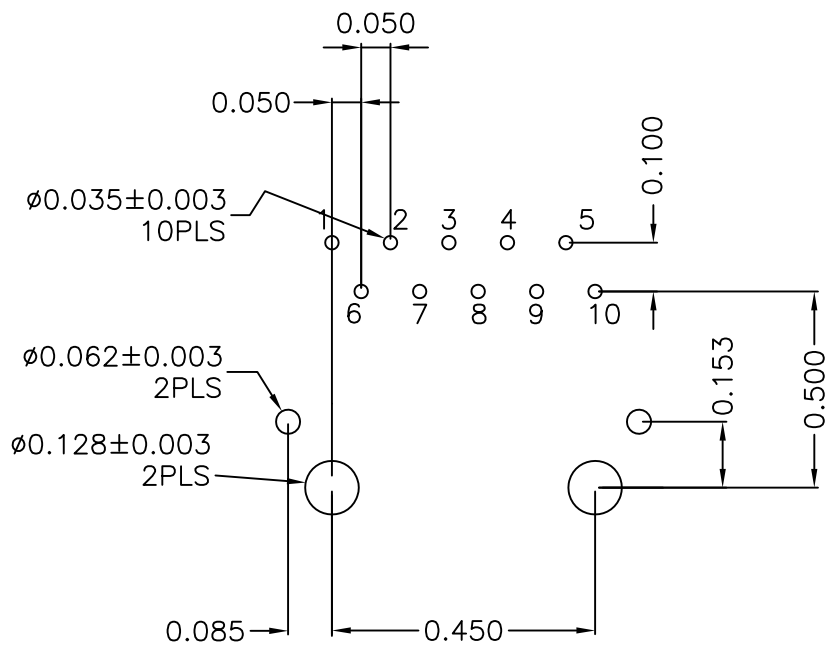
**PROPRIETARY:**

Document is the property of XFMRs Group & is not allowed to be duplicated without authorization.

### Mechanical Dimensions:



### Mounting Pattern:



P.C.B RECOMMENDED HOLE LAYOUT

DOC REV: A/1

**PROPRIETARY**

Document is the property of XFMRS Group & is not allowed to be duplicated without authorization.

<b>XFMRS Inc.</b> <a href="http://www.XFMRS.com">www.XFMRS.com</a>		Title: Mechanical Dimensions For LCV1-2M Series	
UNLESS OTHERWISE SPECIFIED TOLERANCES: .xxx ±0.010 Dimensions in Inch		P/N: XFGIG8KA-LCV1-2M	REV. A
	DWN.	Juan Mao	Dec-04-12
	CHK.	YK liao	Dec-04-12
SHEET 2 OF 2	APP.	BSJ	Dec-04-12