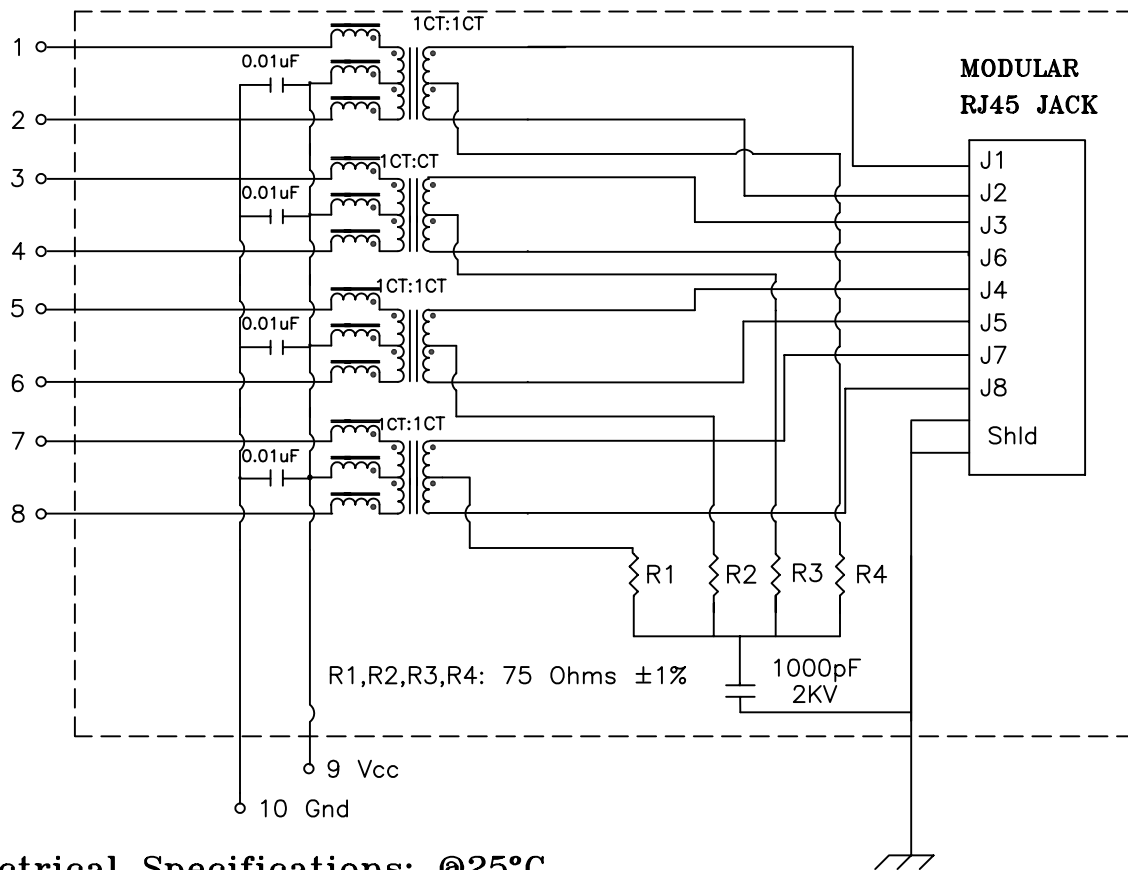


Schematic: (eight Ports)



Electrical Specifications: @25°C

ISOLATION: 1500Vrms (Input to Output)
 TURNS RATIO: (PRI/SEC) 1CT:1CT ±2%
 OCL: 350uH MIN @100KHz 100mV 8mADC
 Rise Time: 1.75ns Max.
 INSERTION LOSS: -1.0dB MAX @1MHz-100MHz
 -1.5dB MAX @100-125MHz
 RETURN LOSS: -18dB Min @1-30MHz
 -15dB Min @40MHz -13.1dB Min @50MHz
 -12dB Min @60-80MHz -10dB Min @100MHz
 Differential to Common Mode Rejection:
 -43dB Min @30MHz -37dB Min @80MHz
 -33dB Min @100MHz
 CMRR: -30dB Min @1-100MHz
 Crosstalk: -45dB Min @30MHz
 -40dB Min @60MHz -35dB Min @100MHz

Notes:

- Solderability: Leads shall meet MIL-STD-202G, Method 208H for solderability.
- Flammability: UL94V-0
- ASTM oxygen index: > 28%
- Insulation System: Class F 155°C. UL file E151556
- Operating Temperature Range: All listed parameters are to be within tolerance from -40°C to +85°C
- Storage Temperature Range: -55°C to +125°C
- Aqueous wash compatible
- Electrical and mechanical specifications 100% tested
- RoHS Compliant Component

DOC REV: A/1

XFMS Inc
www.XFMS.com

Title: 2X4 Gigabit Stacked Combo
with dual Rows W/o LED

UNLESS OTHERWISE SPECIFIED
TOLERANCES:
.xxx ±0.010

P/N: XFGI8HA-STKVD8-4

REV. A

Dimensions in Inch

DWN.

Mei Chen

Mar-04-10

CHK.

YK Liao

Mar-04-10

SHEET 1 OF 2

APP.

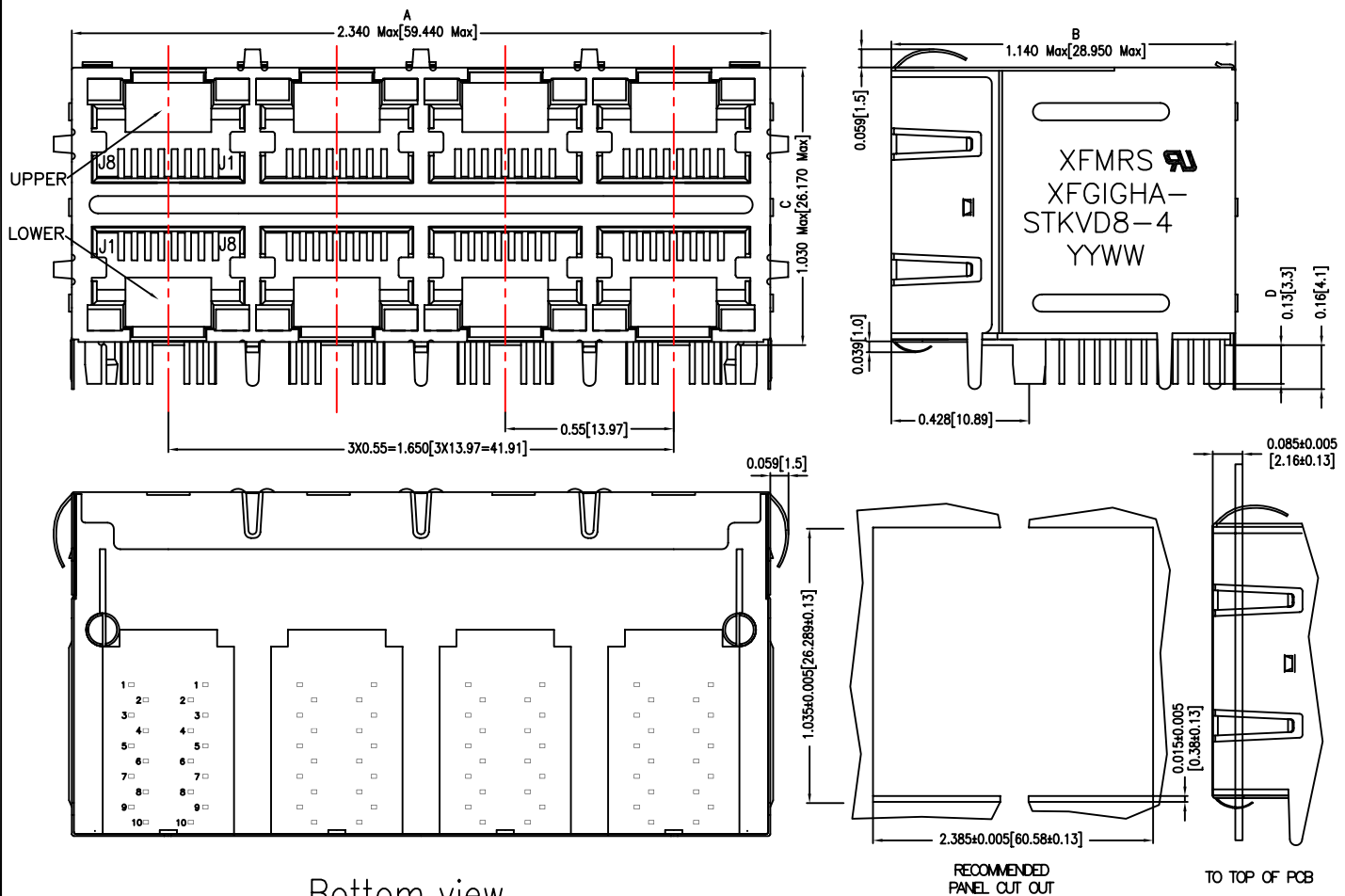
BW

Mar-04-10

PROPRIETARY:

Document is the property of XFMS Group & is not allowed to be duplicated without authorization.

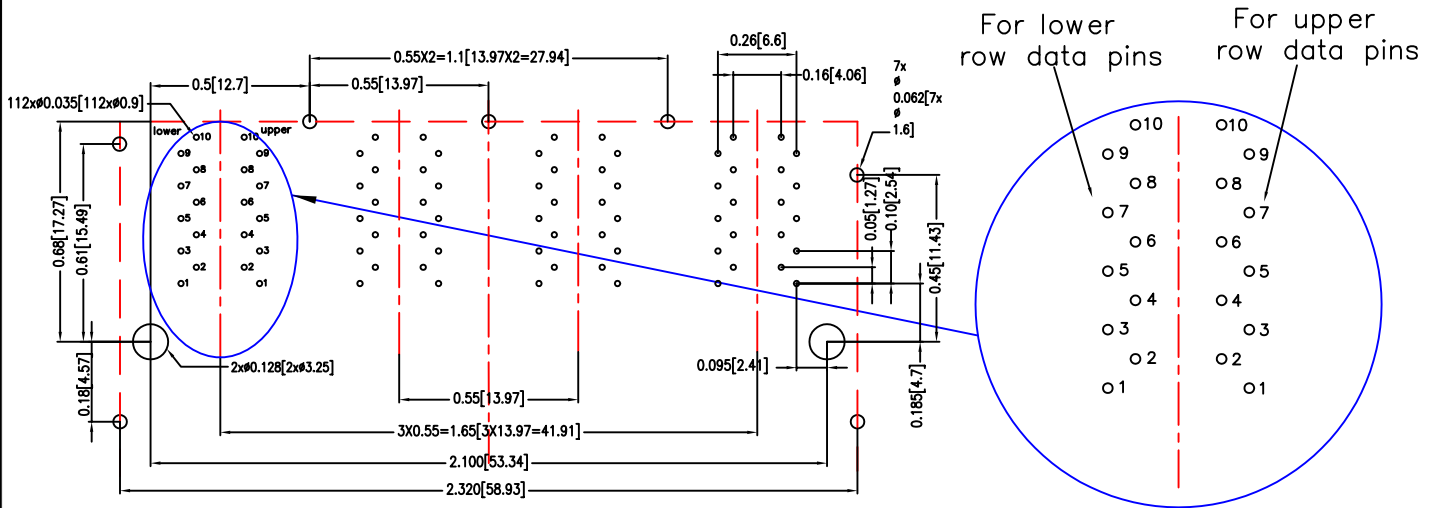
Mechanical Dimensions:



Bottom view

RECOMMENDED PANEL CUT OUT

TO TOP OF PCB



P.C.B RECOMMENDED HOLE LAYOUT SEEN FROM COMPONENT SIDE

Pin-out Assignment

DOC REV: A/1

PROPRIETARY

Document is the property of XFMR5 Group & is not allowed to be duplicated without authorization.

XFMR5 Inc. www.XFMR5.com		Title: Mechanical Dimensions For 2x4 Stacked COMBO with Vertical Dual lines Pins W/o LED	
UNLESS OTHERWISE SPECIFIED TOLERANCES: .xxx ±0.010 [±0.25] Dimensions in Inch [mm]		P/N: XFGIG8HA-STKVD8-4	REV. A
DWN.	Mei Chen	Mar-04-10	
CHK.	YK Liao	Mar-04-10	
APP.	BW	Mar-04-10	
SHEET 2 OF 2			