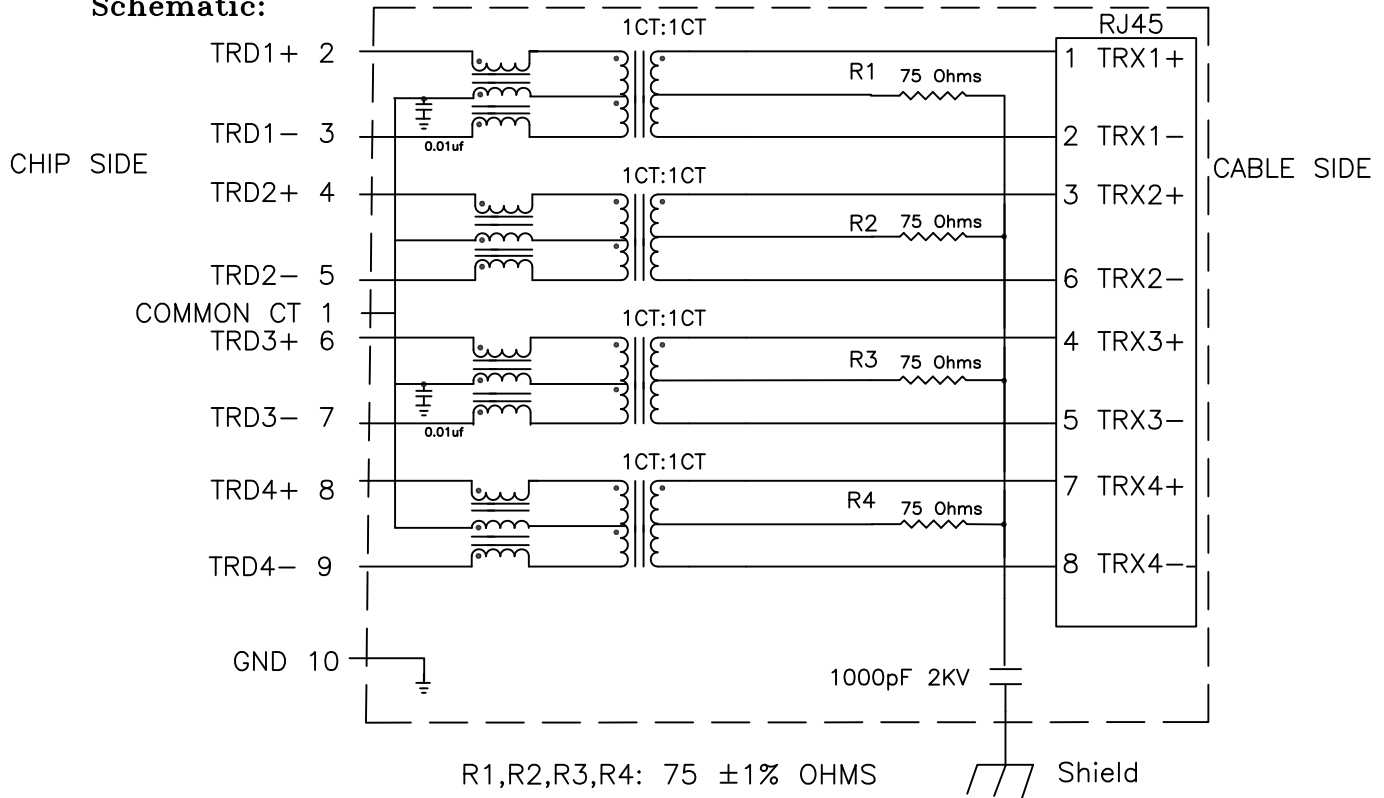


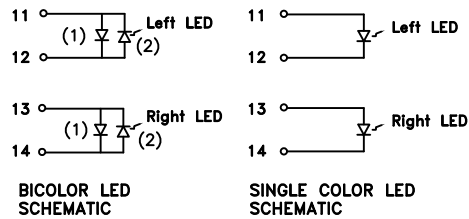
Schematic:



R1,R2,R3,R4: 75 ±1% OHMS Shield

Electrical Specifications: @25°C

ISOLATION: 1500 Vrms (INPUT TO OUTPUT)
 TURNS RATIO: (PRI/SEC) 1CT:1CT ±2%
 OCL: 350uH MIN @100KHz 100mV 8mADC
 Q: 5 Min @100KHz 0.1V
 Rise Time: 1.75ns Max.
 INSERTION LOSS: -1.0dB MAX @1MHz-100MHz
 -1.5dB MAX @100-125MHz
 RETURN LOSS: -18dB Typ @1-30MHz
 -15dB Min @40MHz -13.1dB Min @50MHz
 -12dB Min @60-80MHz -10dB Min @100MHz
 Differential to Common Mode Rejection:
 -43dB Min @30MHz -37dB Min @80MHz
 -33dB Min @100MHz
 CMRR: -30dB Min @1-100MHz
 Crosstalk: -45dB Min @30MHz
 -40dB Min @60MHz -35dB Min @100MHz



Complete the Combo P/N as follows:

Replace 'x' & 'u' in the part number with one of the LED color letters:
 Y=Yellow 'x' = Left LED Color
 G=Green 'u' = Right LED Color
 A=Amber
 R=Red
 C=Green(1)/Amber(2) Bicolor
 D=Amber(1)/Green(2) Bicolor
 M=Green(1)/Yellow(2) Bicolor
 N=Yellow(1)/Green(2) Bicolor
 P=Red(1)/Green(2) Bicolor
 Q=Green(1)/Red(2) Bicolor
 E=Red(1)/Yellow(2) Bicolor
 F=Yellow(1)/Red(2) Bicolor
 H=Amber(1)/Yellow(2) Bicolor
 J=Green(1)/Green(2) Bicolor

Single Color LED:

Bi-Color LED:

Notes:

- Solderability: Leads shall meet MIL-STD-202G, Method 208H for solderability.
- Flammability: UL94V-0
- ASTM oxygen index: > 28%
- UL Recognized Component: File Number E165866
- Operating Temperature Range: All listed parameters from -40C to +85C unless otherwise noted.
- Storage Temperature Range: -55°C to +125°C
- Aqueous wash compatible
- Electrical and mechanical specifications 100% tested
- RoHS Compliant Component

DOC. REV A/2

XFMS Inc.
www.XFMS.com

Title:
"0.850" Inch Tab Up w/LED Combo

UNLESS OTHERWISE SPECIFIED

P/N: XFGIG8AE-CTGxu1-4MS

REV. A

TOLERANCES:

DWN.

Xiang

Aug-08-16

.xxx ±0.010

CHK.

YK Liao

Aug-08-16

Dimensions in Inch

APP.

Joe Huff

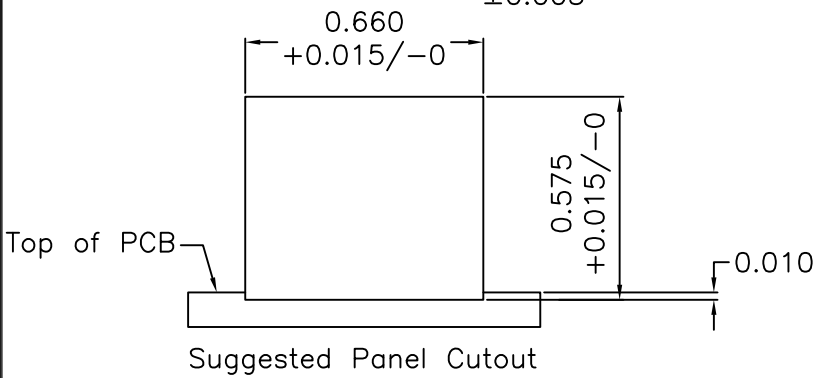
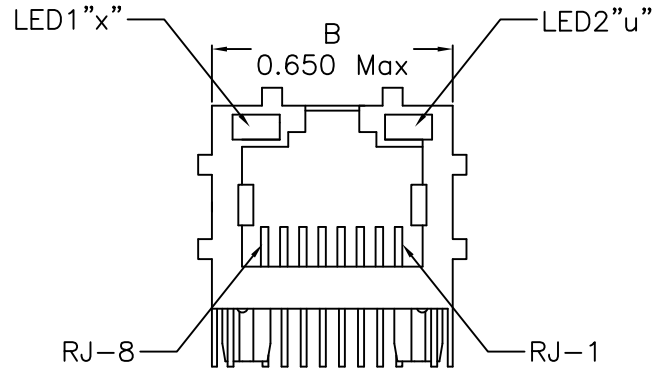
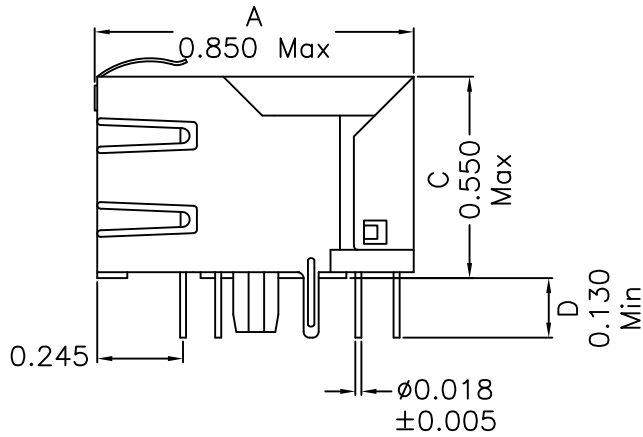
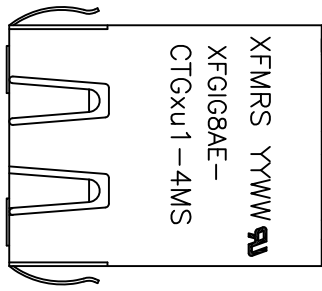
Aug-08-16

SHEET 1 OF 2

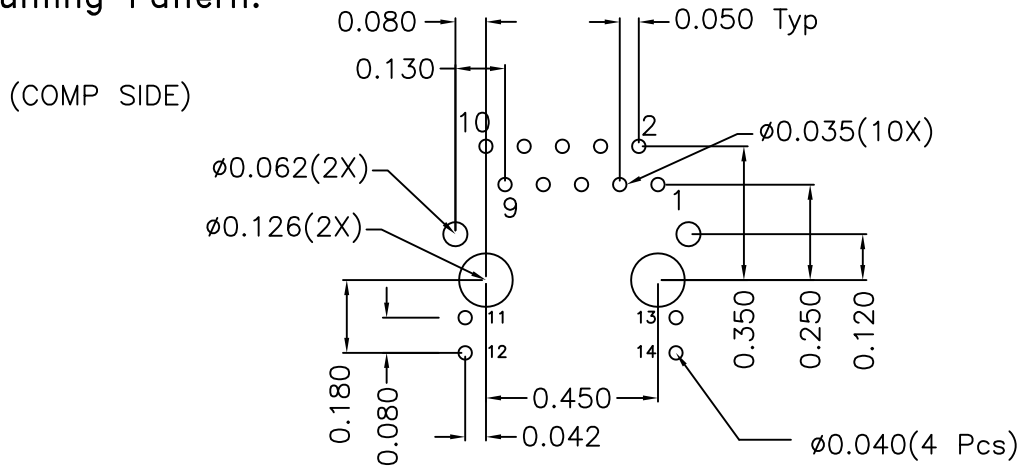
PROPRIETARY

Document is the property of XFMS Group & is not allowed to be duplicated without authorization.

Mechanical Dimensions:



Mounting Pattern:



DOC REV: A/2

XFMRS Inc. www.XFMRS.com		Title: 0.85" Tab-UP Single part	
UNLESS OTHERWISE SPECIFIED TOLERANCES: .xxx ±0.010 Dimensions in Inch		P/N: XFGIG8AE-CTGxu1-4MS	REV. A
DWN.	Xiang	Aug-08-16	
CHK.	YK Liao	Aug-08-16	
APP.	Joe Huff	Aug-08-16	
SHEET 2 OF 2			

PROPRIETARY:

Document is the property of XFMRS Group & is not allowed to be duplicated without authorization.