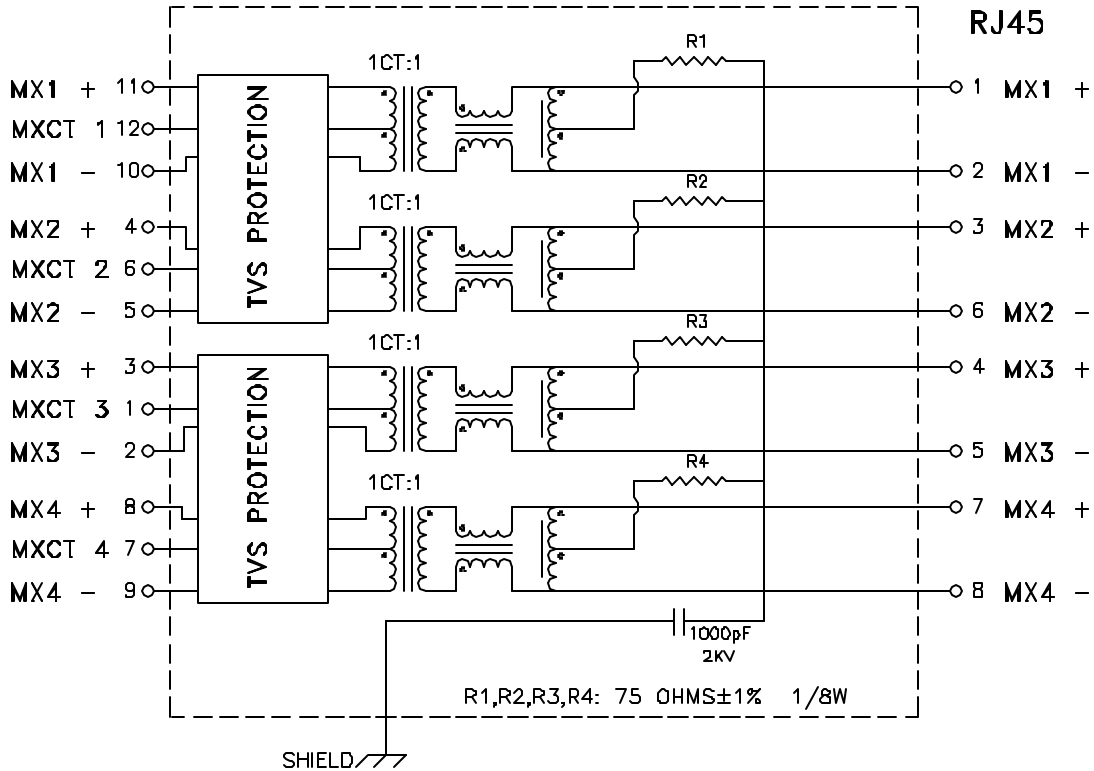


Schematic:



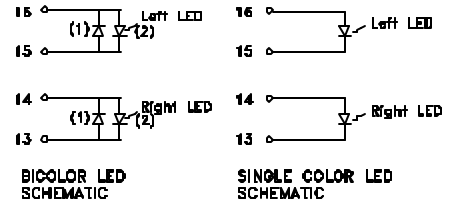
Electrical Specifications: @25°C

- Isolation Voltage: 1500 Vrms @60Hz 1MIN
- Common Mode Rejection: @1-50MHz -30dB Typ
@50-130MHz -20dB Typ
- Crosstalk: @1-10MHz -40dB Typ
@30-60MHz -35dB Typ
@60-100MHz -30dB Typ
- Insertion Loss (1-100MHz): -1.0dB Typ
- Return Loss: @1-10MHz -20dB Typ
@30MHz -16dB Typ
@60-80MHz -12dB Typ
- Q: 10 Min @100KHz 0.1V

Notes:

1. Solderability: Leads shall meet MIL-STD-202G, Method 208H for solderability.
2. Flammability: UL94V-0
3. ASTM oxygen index: > 28%
4. UL Recognized Component: File Number E165866
5. Operating Temperature Range: All listed parameters are to be within tolerance from -40°C to +85°C
6. Storage Temperature Range: -55°C to +125°C
7. Aqueous wash compatible
8. Electrical and mechanical specifications 100% tested
9. RoHS Compliant Component
10. Designed to meet GR1089 Intra-Building Lightning Standards.

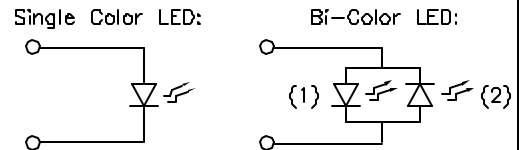
DOC. REV: B/1



Complete the Combo P/N as follows:

Replace 'x' & 'u' in the part number with one of the LED color letters:

- Y=Yellow
- G=Green
- A=Amber
- R=Red
- C=Green(1)/Amber(2) Bicolor
- D=Amber(1)/Green(2) Bicolor
- M=Green(1)/Yellow(2) Bicolor
- N=Yellow(1)/Green(2) Bicolor
- P=Red(1)/Green(2) Bicolor
- Q=Green(1)/Red(2) Bicolor
- 'x' = Left LED Color
- 'u' = Right LED Color

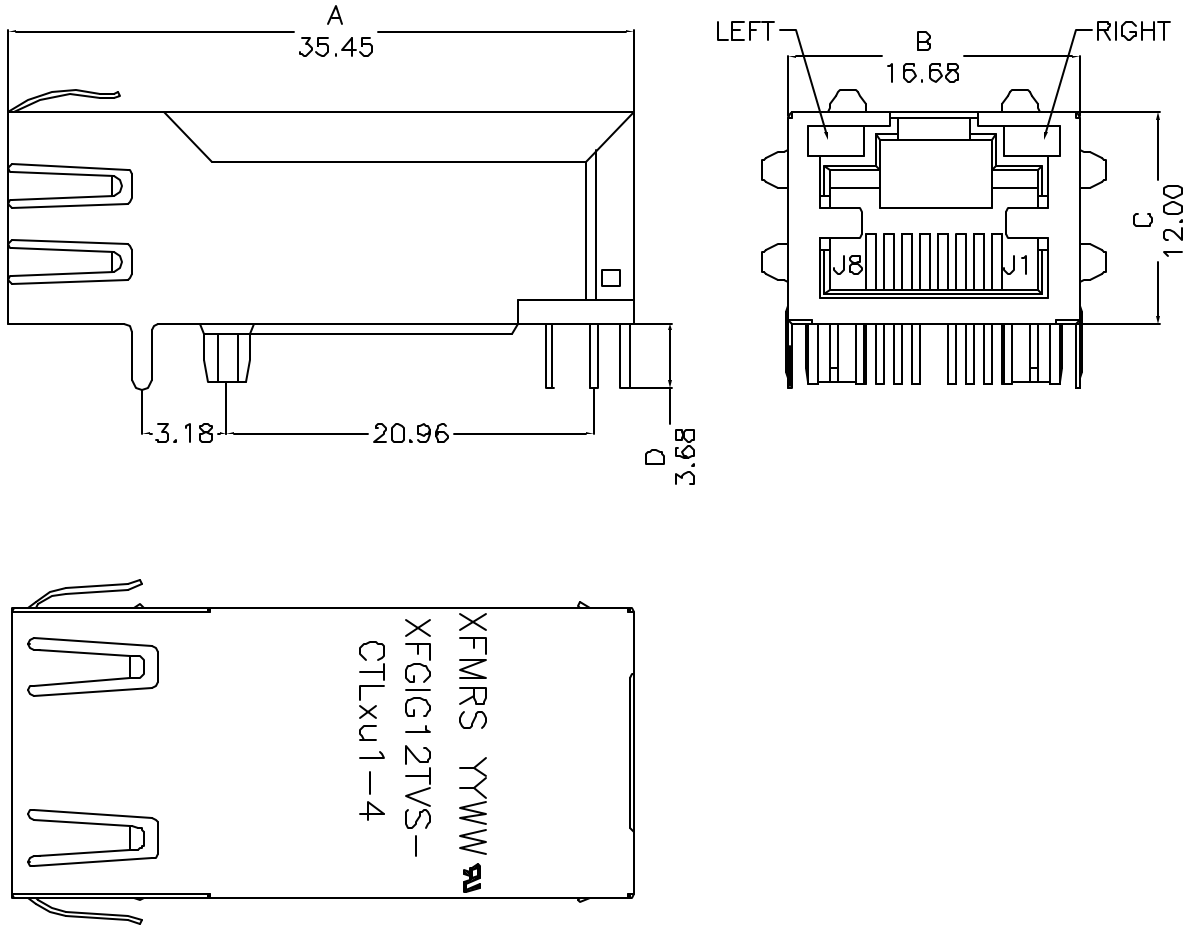


PROPRIETARY:

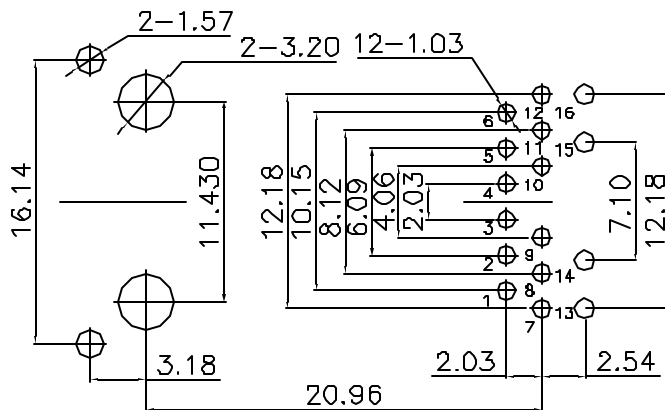
Document is the property of XFMRS Group & is not allowed to be duplicated without authorization.

XFMRS Inc www.XFMRS.com	Title: "1.40" INCH SINGLE PORT COMBO w/LEDs		
	UNLESS OTHERWISE SPECIFIED TOLERANCES: .xxx ±0.010 Dimensions in MM	P/N: XFGIG12TVS-CTLxu1-4	REV. B
SHEET 1 OF 2	DWN.	Feng	May-21-12
	CHK.	YK Liao	May-21-12
	APP.	Joe Huff	May-21-12

Mechanical Dimensions:



Mounting Pattern:



DOC REV: B/1

XFMRS Inc.	Title: Mechanical Dimensions "1.40"INCH SINGLE PORT COMBO w/LEDs		
	UNLESS OTHERWISE SPECIFIED	P/N: XFGIG12TVS-CTLxu1-4	REV. B
TOLERANCES: .xx ±0.25	DWN.	Feng	May-21-12
Dimensions in MM	CHK.	YK Liao	May-21-12
SHEET 2 OF 2	APP.	Joe Huff	May-21-12

PROPRIETARY:

Document is the property of XFMRS Group & is not allowed to be duplicated without authorization.