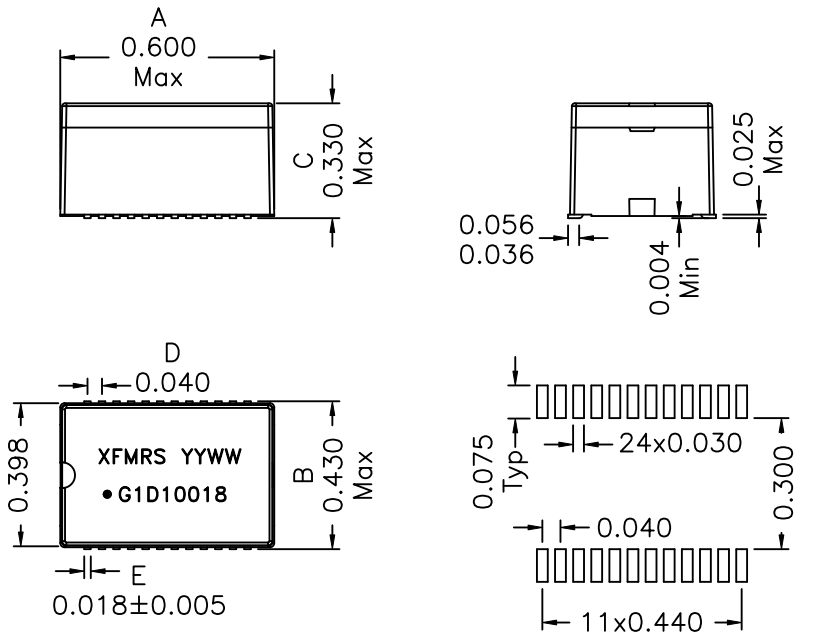
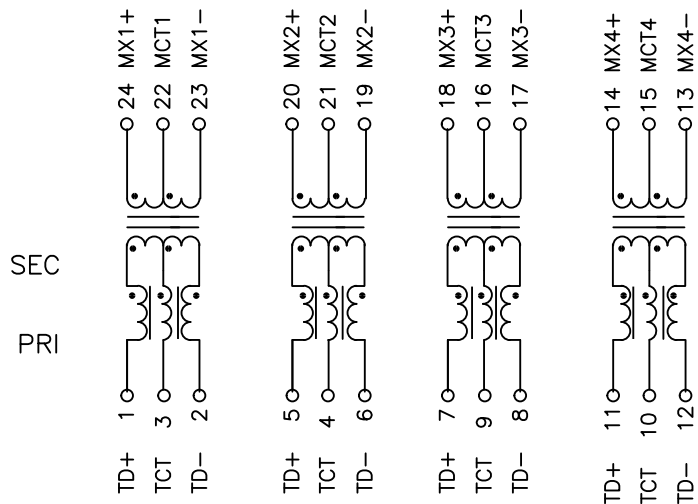


1. Mechanical Dimensions:



SUGGESTED PAD LAYOUT

2. Schematic:



3. Electrical Specifications: @25°C

- Isolation: 1500Vac, 60Sec (PRI to SEC)
- Turns Ratio.: Pri : Sec=1CT:1CT±2%
- OCL: 360uH Min @100KHz 100mV, 8mAdc
- 300uH Min @100KHz 100mV, 8mAdc at -40C and +85°C
- Q: 8 Min @10KHz 50mV
- Insertion Loss: -1.2dB Max @100KHz
- 0.20-0.002*f ^1.4 dB Max @1-125MHz
- Return Loss: Z OUT=100 Ohms ±15%
- 16dB Min @1-40MHz
- 10+20*LOG₁₀ (f/80 MHz) dB Min @40-100MHz
- Crosstalk: -50dB Min @1MHz
- 55+22*LOG₁₀ (f/10) dB Min @10-100MHz
- Common Mode Rejection Ratio:
- 42dB Min @2MHz
- 15+20*LOG₁₀ (f/200) dB Min @30-200MHz
- DCR 1/2 Winding: 0.65 Ohms Max
- DCR Resistance Imbalance:
- ±0.065 Ohms Max (Center tap symmetry)

Notes:

1. Solderability: Leads shall meet MIL-STD-202G, Method 208H for solderability.
2. Flammability: UL94V-0
3. ASTM oxygen index: > 28%
4. Insulation System: Class F 155°C. UL file E151556
5. Operating Temperature: -40°C to +85°C (+85C ambient plus +40C temp rise = +125C max)
6. Storage Temperature Range: -50°C to +125°C
7. Aqueous wash compatible
8. SMD Lead Coplanarity: ±0.004*(0.102mm)
9. Electrical and mechanical specifications 100% tested
10. RoHS Compliant Component
11. f is frequency in MHz

DOC REV: A/2

PROPRIETARY

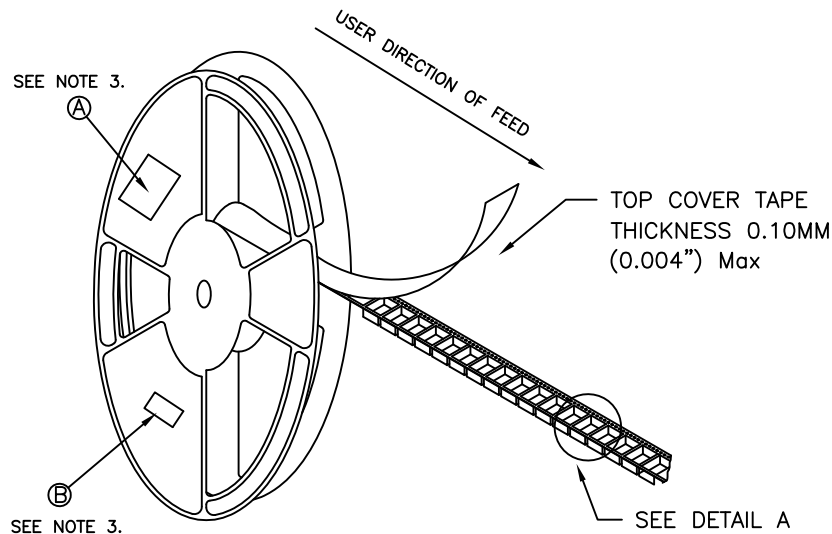
Document is the property of XFMRS Group & is not allowed to be duplicated without authorization.

XFMRS® www.XFMRS.com		Title: 10/100/1000BASE-T Module	
UNLESS OTHERWISE SPECIFIED TOLERANCES: .xxx ±0.010		P/N: XFGID10018	
Dimensions in INCH		REV. A	Jul-02-21
SHEET 1 OF 1		CHK. YK Liao	Jul-02-21
		APP. TCH	Jul-02-21

TAPE AND REEL SPECIFICATION:

NOTES:

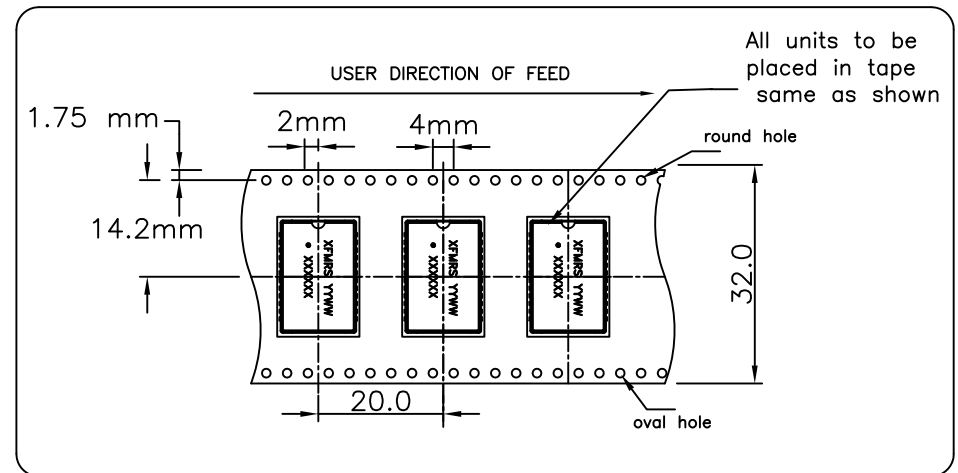
- 1) PROCESS IN ACCORDANCE WITH EIA-481-2 STANDARDS
 - * TAPE LEADER DIMENSION 15.30" MIN.
 - * TAPE TRAILER DIMENSION 6.30" MIN.
- 2) PARTS SHOULD BE PACKAGED IN ACCORDANCE WITH ESD GUIDELINES IN EIA-541.
- 3) REEL LABEL: 'A' * PART NUMBER
 - * QUANTITY
 - * DATE CODE
 'B'- ANTI-STATIC CAUTION LABEL
- 4) 300PCS PER 13" REEL



REEL AND TAPE ORIENTATION

13" REEL DIAMETER

DETAIL A

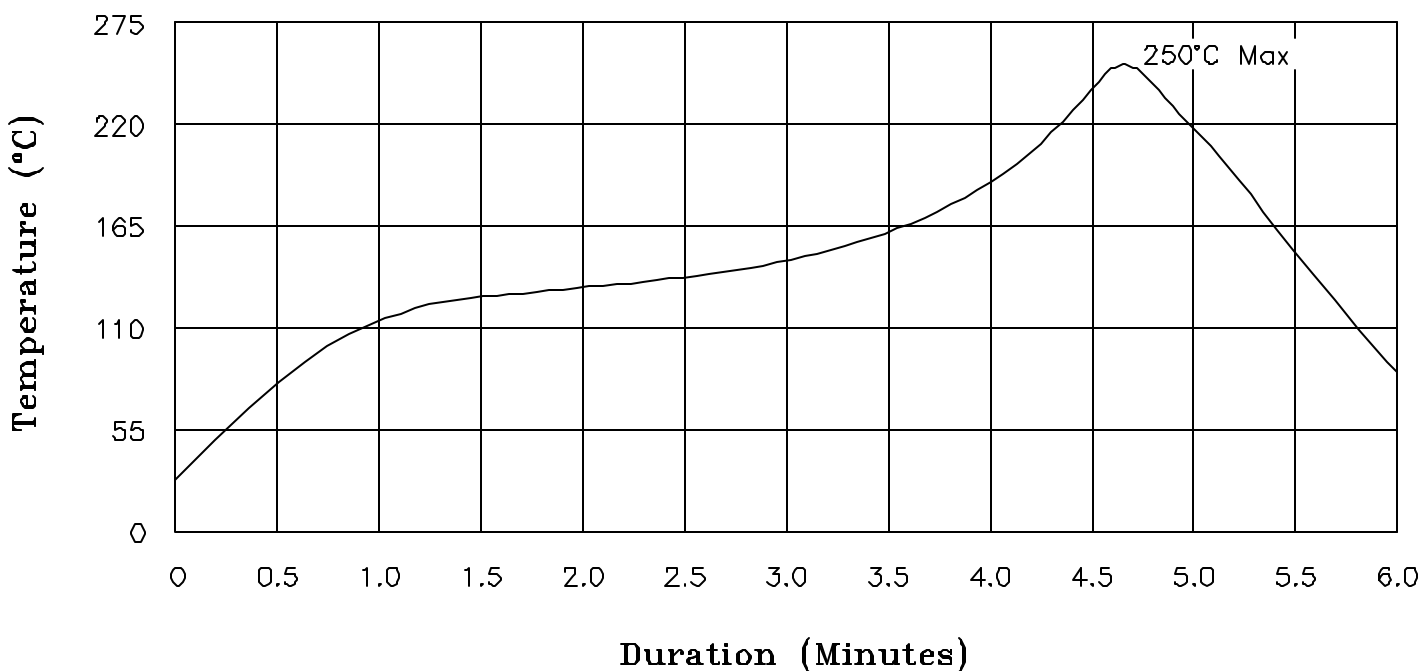


DOC. REV A/1

XFMRs Inc	Title: T&R SPEC		
	UNLESS OTHERWISE SPECIFIED TOLERANCES: .xxs ±xxxxx Dimensions in mm		P/N: XFVOIP-18
SHT 2 OF 2	DWN.	Kong	Jul-11-12
	CHK.	YK Liao	Jul-11-12
	APP.	BSJ	Jul-11-12

XFMRs

Recommended Infrared Reflow Temperature Profile for Select Parts



NOTES: Maximum duration at 250°+0/-5° shall be 10-15 seconds.
 Maximum duration above 217° shall be 50-120 seconds.
 ALL Temperatures refer to topside of the package, measured on the package body surface.

XFMRs Inc www.XFMRs.com	Title: IR REFLOW CHART (250°C)			
	UNLESS OTHERWISE SPECIFIED TOLERANCES: N/A		P/N: N/A	REV. A
	DWN.	Juan Mao	Dec-20-06	
	CHK.	YK Liao	Dec-20-06	
SHEET 1 OF 1	APP.	Joe Huff	Dec-20-06	