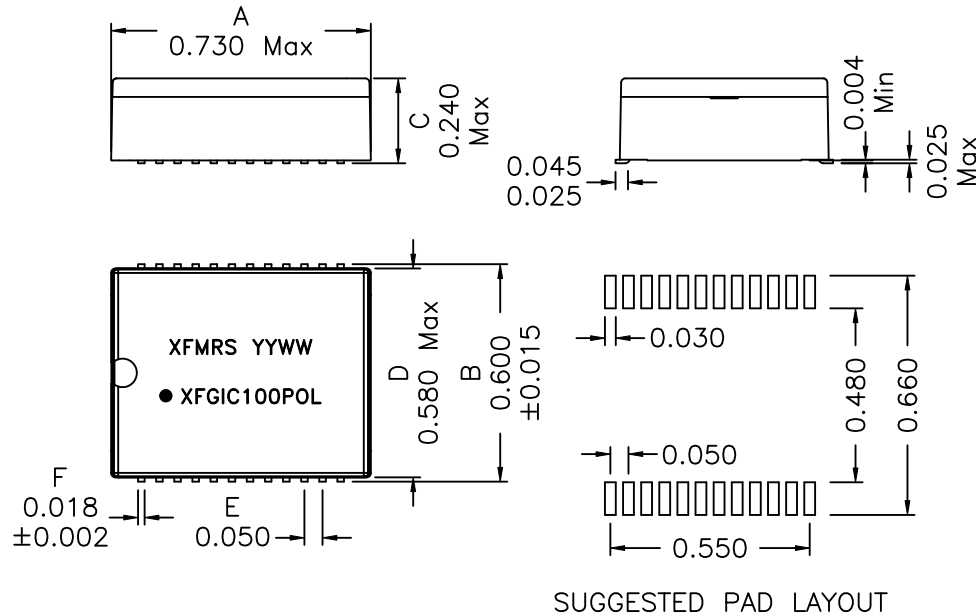
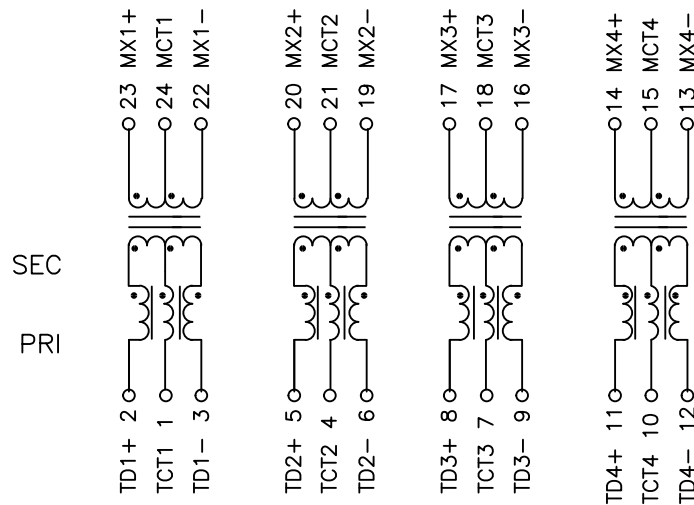


1. Mechanical Dimensions:



2. Schematic:



DOC. REV: B/6

3. Electrical Specifications: @25°C

ISOLATION: 1500Vrms

TURNS RATIO: (PRI/SEC) 1CT:1CT ±2%

SEC OCL: 350uH Min @100KHz 100mV, 15mAdc

Rise Time: 1.75ns Max.

INSERTION LOSS: -1.0dB MAX @1MHz-80MHz

-1.1dB MAX @80-100MHz

-1.5dB MAX @100-125MHz

RETURN LOSS: 18dB Typ @1-10MHz

15dB Typ @30MHz

12dB Typ @80MHz

10dB Typ @100MHz

Common to Common Rejection:

-60dB Min @1MHz

-40dB Min @30MHz

-35dB Min @80MHz

-30dB Min @100MHz

CMRR: -30dB Min @1-60MHz

Crosstalk: -40dB Min @1-30MHz

-30dB Min @100MHz

Rated Current: 1200mA Max for 200mS

@57Vdc Thru Each Sec CT

Rated Current: 720mA Max Continuous

@57Vdc Thru Each Sec CT

Q: 5 Min @10KHz 50mV

DCR(1/2 Winding): 0.300 Ohms Typ (Reference only)

DCR Balance (Center Tap Sym): ±0.05 Ohms Max (Reference only)

Notes:

- Solderability: Leads shall meet MIL-STD-202G, Method 208H for solderability.
- Flammability: UL94V-0
- ASTM oxygen index: > 28%
- Insulation System: Class H 180°C. UL file E151556
- Operating Temperature: -40°C to +85°C
- Storage Temperature Range: -55°C to +125°C
- Aqueous wash compatible
- SMD Lead Coplanarity: ±0.004"(0.102mm)
- Electrical and mechanical specifications 100% tested
- RoHS Compliant Component
- 802.3AT Compliant.
- Recommended IR Reflow peak temp of 250C Max.

XFMRS Inc www.XFMRS.com	Title: 1000BASE-T Modules PoE			
	UNLESS OTHERWISE SPECIFIED TOLERANCES: .xxx ±0.010		P/N: XFGIC100POL	REV. B
Dimensions in Inch	CHK.	Mei Chen	YK Liao	Oct-01-20
SHEET 1 OF 1	APP.	BSJ		Oct-01-20

PROPRIETARY

Document is the property of XFMRS Group & is not allowed to be duplicated without authorization.

CONCEPT

GENERAL INFORMATION

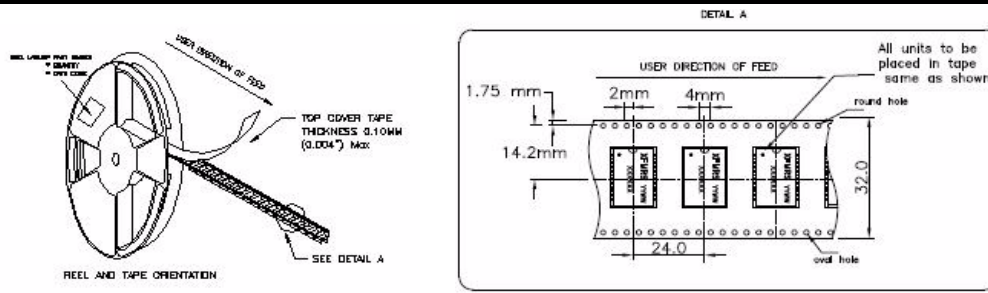
Part Numbe:	95-N24P-LP-YK
Part Description:	24Pin Lpin case parts
Weight (lbs.):	0.00550 lbs.approx
T&R Notes:	1) PROCESS IN ACCORDANCE WITH EIA-461-2 STANDARDS * TAPE LEADER DIMENSION 15.30" MIN. * TAPE TRAILER DIMENSION 6.30" MIN. 2) PARTS SHOULD BE PACKAGED IN ACCORDANCE WITH ESD GUIDELINES IN EIA-541. 3) REEL LABEL: 'A' * PART NUMBER * QUANTITY * DATE CODE

SUPPLIER INFORMATION

Company Name:	XFMRs
Address Line 1:	UNIT G-J, 3/F, BLK 1, GOLDEN DRAGON IND CTR
State / ZIP:	152-160 TAI LIN PAI ROAD
Country:	HONG KONG, CHINA
Program Manager:	Kitty Lai
Contact E-mail:	klai@xfmrs.com.hk
Contact Phone:	852 2423 1689

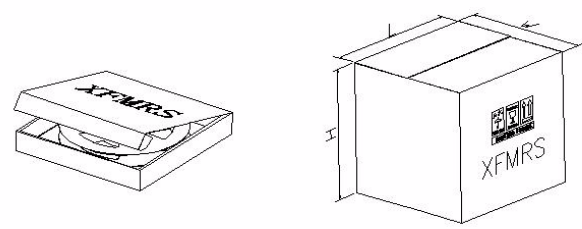
PRIMARY PACKAGING

Packaging Type:	PS T&R			
Dimnsions(cm):	L 33.0	W 33.0	H 3.2	
Weight:	1.08 lbs. approx			
QPC (Parts Per Reel)	380 pcs.			
Total Weight w/parts:	3.17 lbs.			
Banding / Shrink / Wrap:	BOPP Wrap			
Other:	N/A			



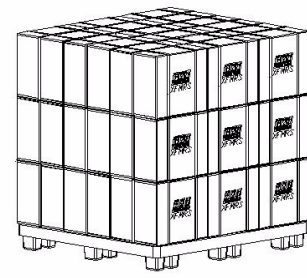
SECONDARY PACKAGING

Packaging Type:	Paper Box			
Dimnsions(cm):	L 36.5	W 36.5	H 24.0	
Weight:	1.89 lbs.			
Boxes per Unit Load:	1900 pcs.			
Total weight w/Parts (lbs):	18.23 lbs.approx			
Banding / Shrink / Wrap:	BOPP Wrap / PP Banding			
Other:	N/A			



SHIPPING INFORMATION

Packaging Type:	PE Pallet			
Unit Load dims(cm):	L 120	W 100	H 137	
Weight:	16.72 lbs.			
Number of box Loads:	30 box.			
Number of Parts:	57000 pcs.			
Load weight total (lbs):	563.68 lbs.approx			
Banding / Shrink / Wrap:	PE Shrink			



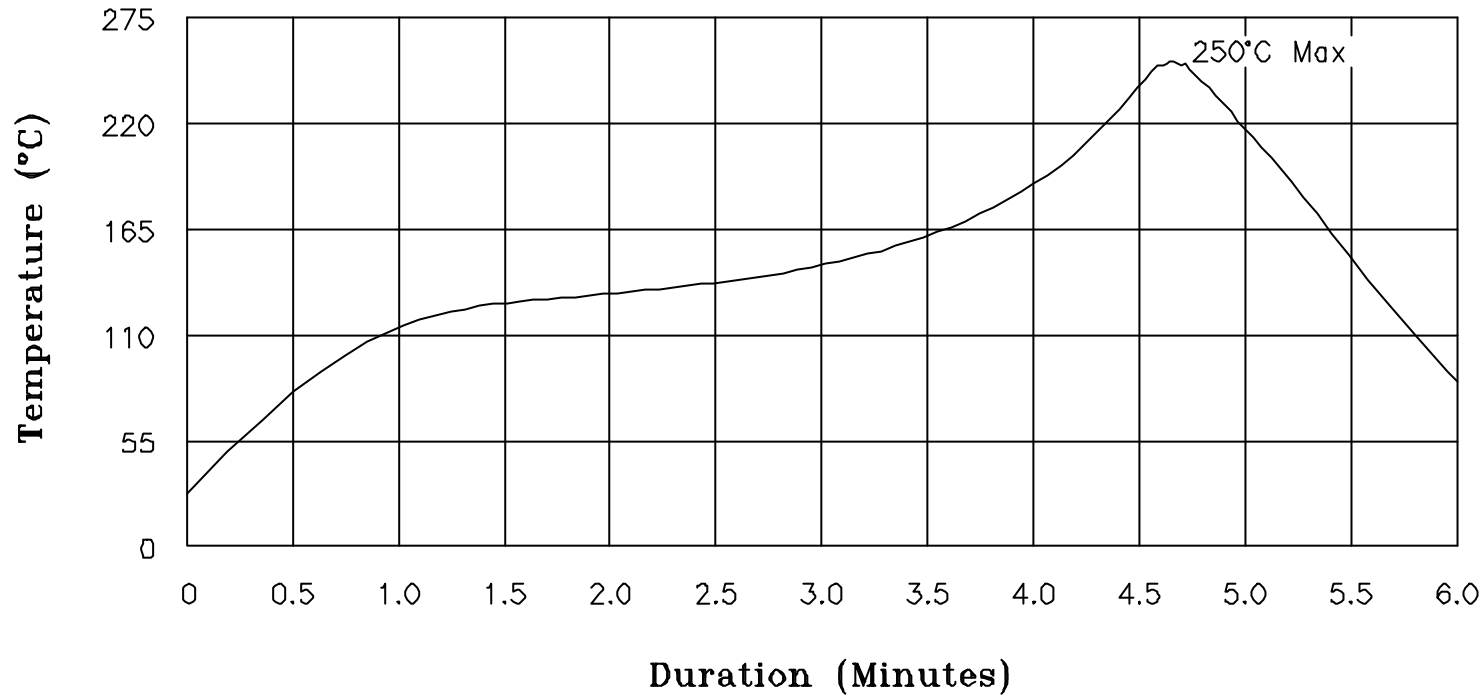
PACKAGING APPROVAL

Internal Document
 Manufacture / Q.A ./ Process Instructions

Drafted	Checked	Approved	Rev	Date
Kong	Liao		A/1	Jul-14-20

XFMRs

Recommended Infrared Reflow Temperature Profile for RoHS Compliant Parts



NOTES: Maximum duration at 250°+0/-5° shall be 10-15 seconds.
 Maximum duration above 217° shall be 50-120 seconds.
 ALL Temperatures refer to topside of the package, measured on the package body surface.

XFMRs Inc www.XFMRs.com	Title: IR REFLOW CHART (RoHS Compliant parts)			
	UNLESS OTHERWISE SPECIFIED TOLERANCES: N/A	P/N: N/A	REV. A	
	DWN.	Juan Mao	Dec-20-06	
	CHK.	YK Liao	Dec-20-06	
SHEET 1 OF 1	APP.	Joe Huff	Dec-20-06	

PROPRIETARY Document is the property of XFMRs Group & is not allowed to be duplicated without authorization.