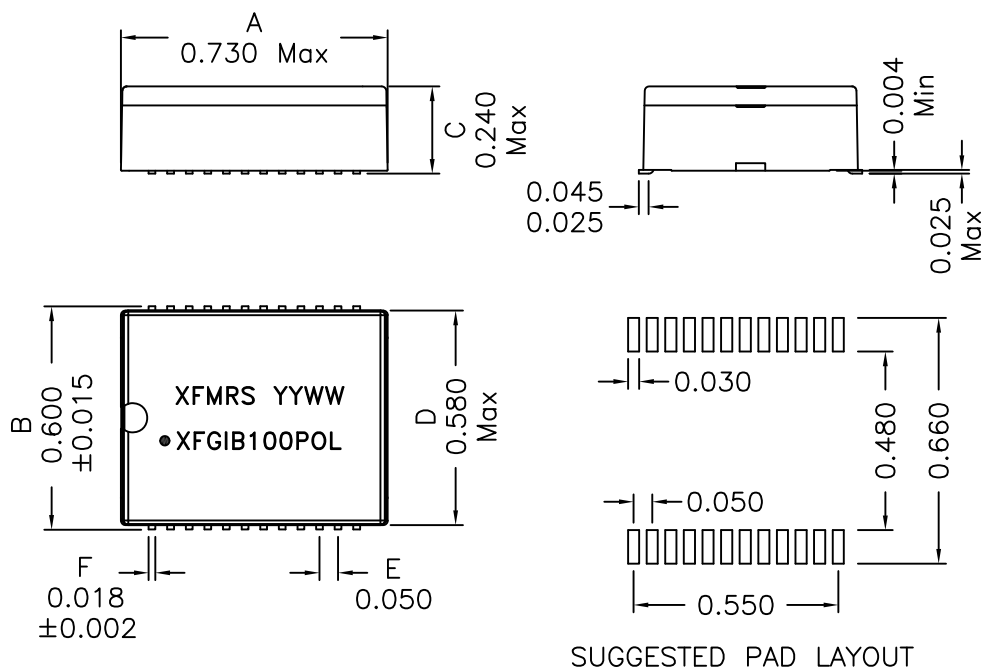


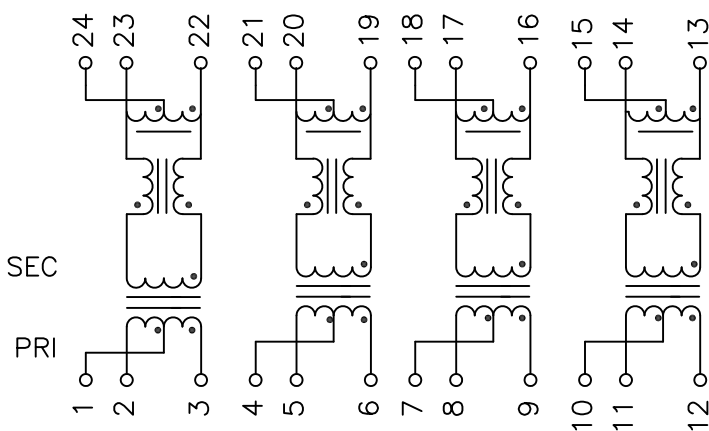
1. Mechanical Dimensions:



3. Electrical Specifications: @25°C

ISOLATION: 1500 Vrms Pri to Sec
 TURNS RATIO: (PRI/SEC) 1CT:1CT ±2%
 OCL: 350uH MIN @100KHz 100mV 8mADC
 Rise Time: 1.75ns Max.
 INSERTION LOSS: -1.0dB MAX
 @1MHz-100MHz, 0/350mA DC through Auto-XFMRS
 RETURN LOSS: -18dB Min @1-40MHz
 -12dB Min @40-80MHz
 -10dB Min @80-100MHz
 Differential to Common Mode Rejection:
 -40dB Min @30-60MHz
 -35dB Min @60-100MHz
 CMRR: -30dB Min @1-100MHz
 Crosstalk: -45dB Min @30MHz
 -40dB Min @60MHz -35dB Min @100MHz
 Secondary Auto-XFMR Rated Current: 350mADC
 Q: 5 Min @10KHz 50mV

2. Schematic:



Notes:

- Solderability: Leads shall meet MIL-STD-202G, Method 208H for solderability.
- Flammability: UL94V-0
- ASTM oxygen index: > 28%
- Insulation System: Class F 155°C. UL file E151556
- Operating Temperature Range: All listed parameters are to be within tolerance from -40°C to +85°C
- Storage Temperature Range: -55°C to +125°C
- Aqueous wash compatible
- SMD Lead Coplanarity: ±0.004" (0.102mm)
- Electrical and mechanical specifications 100% tested
- RoHS Compliant Component

DOC. REV: B/1

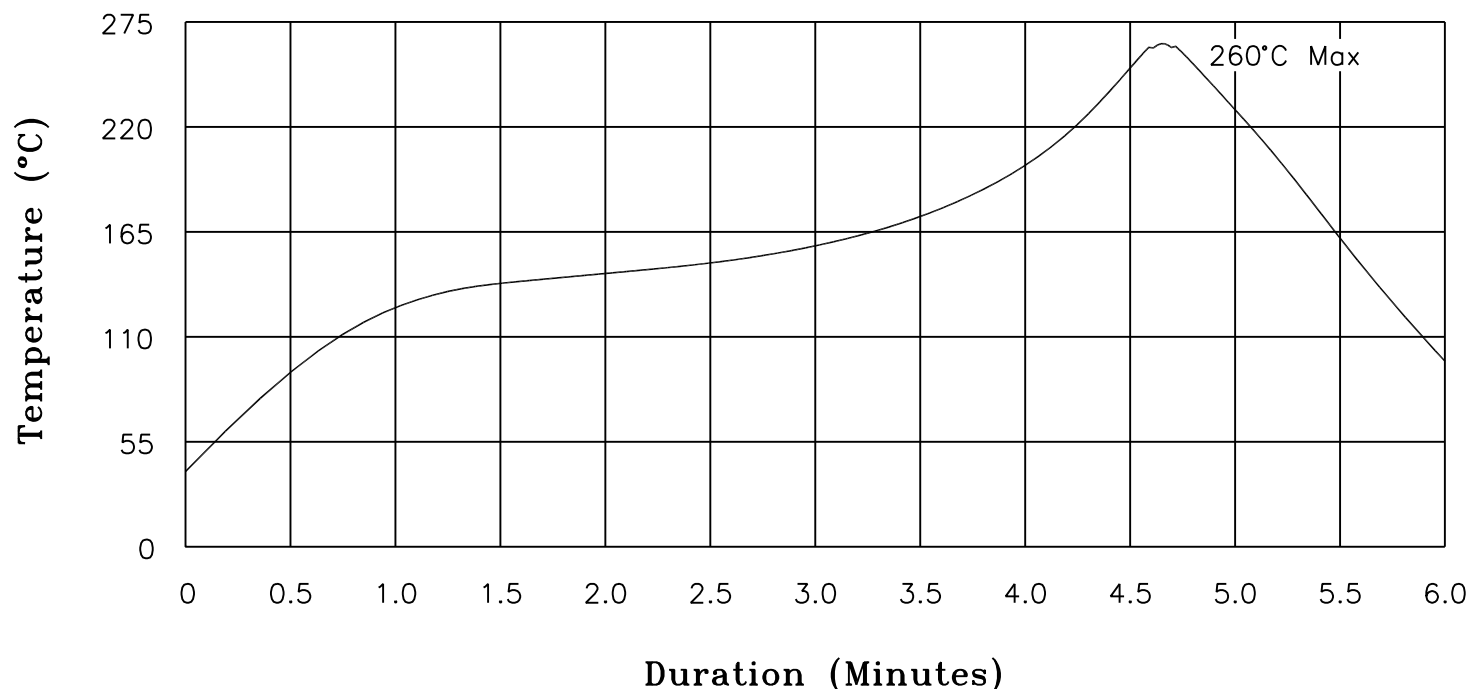
XFMRS Inc www.XFMRS.com	Title: 1000BASE-T Modules		
	UNLESS OTHERWISE SPECIFIED	P/N: XFGIB100POL	REV. B
TOLERANCES: .xxx ±0.010	DWN.	Feng	Jul-06-12
Dimensions in INCH	CHK.	YK Liao	Jul-06-12
SHT 1 OF 1	APP.	BSJ	Jul-06-12

PROPRIETARY

Document is the property of XFMRS Group & is not allowed to be duplicated without authorization.

XFMRs

Recommended Infrared Reflow Temperature Profile for RoHS Compliant Parts

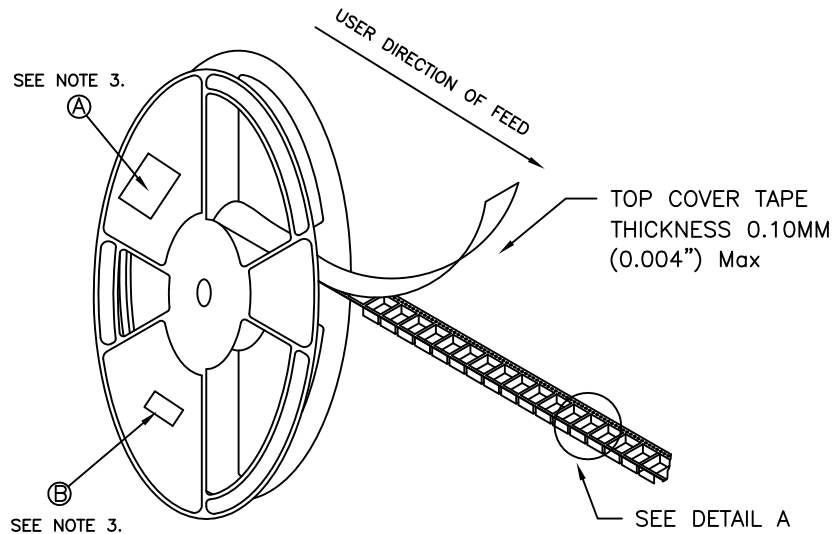


NOTES: Maximum duration at 260°+0/-5° with 10 seconds Max.
 Maximum duration above 217° shall be 60-150 seconds.
 ALL Temperatures refer to topside of the package, measured on the package body surface.

XFMRs Inc www.XFMRs.com	Title: IR REFLOW CHART (RoHS Compliant parts)			
	UNLESS OTHERWISE SPECIFIED TOLERANCES: N/A	P/N: N/A	REV. A	
	DWN.	Juan Mao	Jan-16-05	
	CHK.	YK Liao	Jan-16-05	
SHEET 1 OF 1	APP.	MS	Jan-16-05	

PROPRIETARY Document is the property of XFMRs Group & is not allowed to be duplicated without authorization.

TAPE AND REEL SPECIFICATION:



REEL AND TAPE ORIENTATION

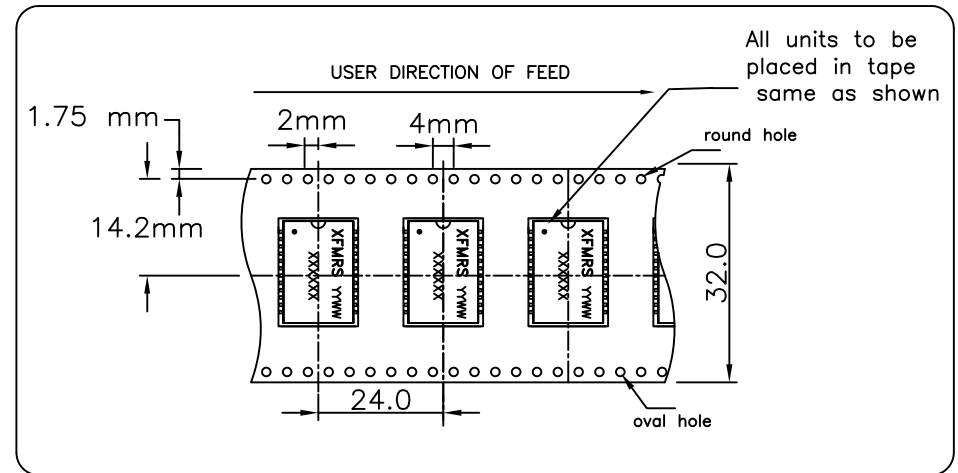
13" REEL DIAMETER

For FG: XFGIB100	XF0013QW5R
XFGIC100	XFATM8QS29
XFGIA100	XF0013QS26
XF0013QS4	XF0013QS
XF0013QS19C	XFSRDQS1
XFGIC100POL	XFSRDQS2
XFGIA100POL	7034842-400

NOTES:

- 1) PROCESS IN ACCORDANCE WITH EIA-481-2 STANDARDS
 - * TAPE LEADER DIMENSION 15.30" MIN.
 - * TAPE TRAILER DIMENSION 6.30" MIN.
- 2) PARTS SHOULD BE PACKAGED IN ACCORDANCE WITH ESD GUIDELINES IN EIA-541.
- 3) REEL LABEL: 'A' * PART NUMBER
 - * QUANTITY
 - * DATE CODE
 'B'- ANTI-STATIC CAUTION LABEL
- 4) 380PCS PER 13" REEL

DETAIL A



DOC. REV. A/1

XFMR5 Inc	Title: T&R SPEC		
	UNLESS OTHERWISE SPECIFIED TOLERANCES: .xxs ±xxxxx		P/N: Standard 24pin Lpin
	Dimensions in mm		REV:A
	SHT 2 OF 2		
	DWN.	Kong	Dec-10-12
	CHK.	YK Liao	Dec-10-12
	APP.	BSJ	Dec-10-12