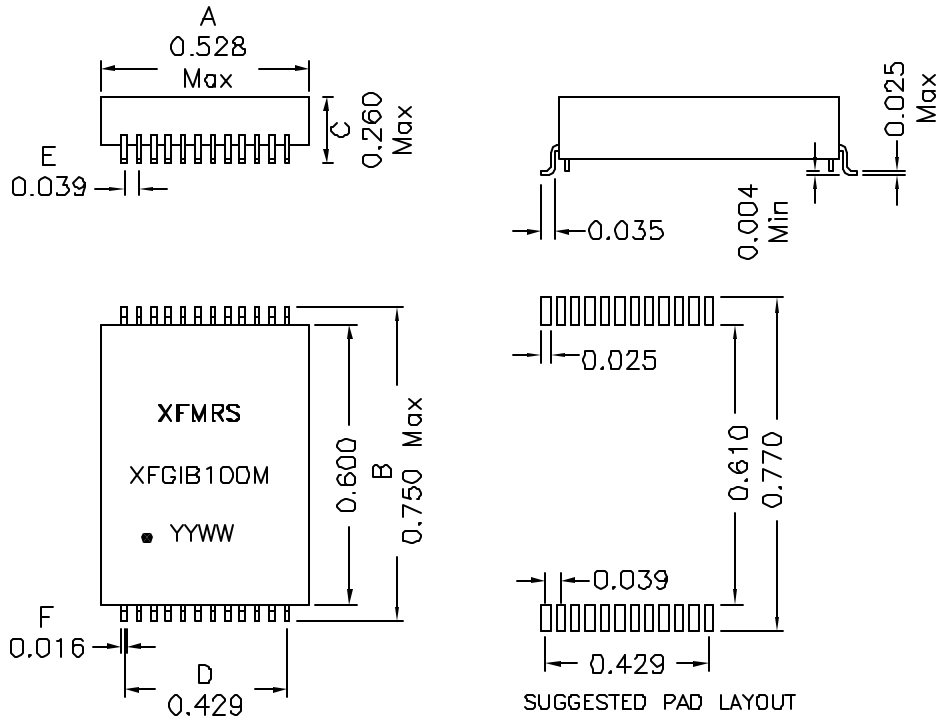
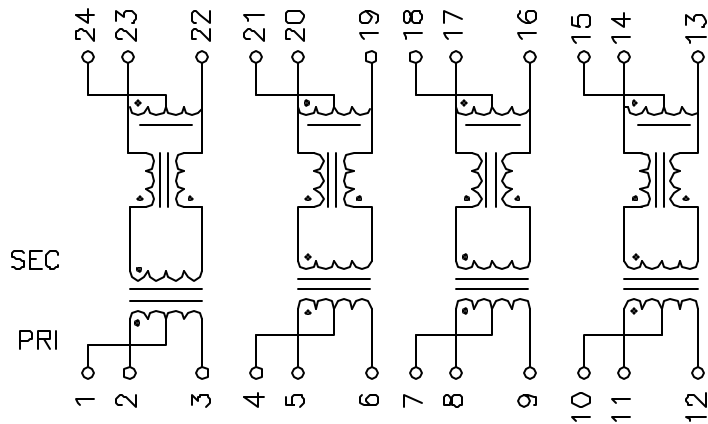


1. Mechanical Dimensions:



2. Schematic:



3. Electrical Specifications: @25°C

- ISOLATION: 1500 Vrms
- URNS RATIO: (PRI/SEC) 1CT:1CT ±2%
- OCL: 350uH MIN @100KHz 100mV 8mADC
- Rise Time: 1.75ns Max.
- INSERTION LOSS: -1.0dB MAX @1MHz-100MHz
-1.5dB MAX @100-125MHz
- RETURN LOSS: -18dB Min @1-30MHz
-18dB Min @40MHz -16dB Min @50MHz
-12dB Min @60-80MHz -10dB Min @100MHz
- Differential to Common Mode Rejection:
-43dB Min @30MHz -37dB Min @80MHz
-33dB Min @100MHz
- CMRR: -30dB Min @1-100MHz
- Crosstalk: -45dB Min @30MHz
-40dB Min @60MHz -35dB Min @100MHz

Notes:

1. Solderability: Leads shall meet MIL-STD-202G, Method 20BH for solderability.
2. Flammability: UL94V-0
3. ASTM oxygen index: > 28%
4. Insulation System: Class F 155°C. UL file E151556
5. Operating Temperature Range: All listed parameters are to be within tolerance from -40°C to +85°C
6. Storage Temperature Range: -55°C to +125°C
7. Aqueous wash compatible
8. SMD Lead Coplanarity: ±0.004"(0.102mm)
9. Electrical and mechanical specifications 100% tested
10. RoHS Compliant Component

DOC REV: A/10

XFMRS Inc www.XFMRS.com	Title: 1000BASE-T Modules		
	UNLESS OTHERWISE SPECIFIED TOLERANCES: .xxx ±0.010 Dimensions in INCH		P/N: XFGIB100M REV. A
SCALE 2:1 SHT 1 OF 1	DWN.	Xianyi	Jul-08-09
	CHK.	YK Liao	Jul-08-09
	APP.	Joe Huff	Jul-08-09