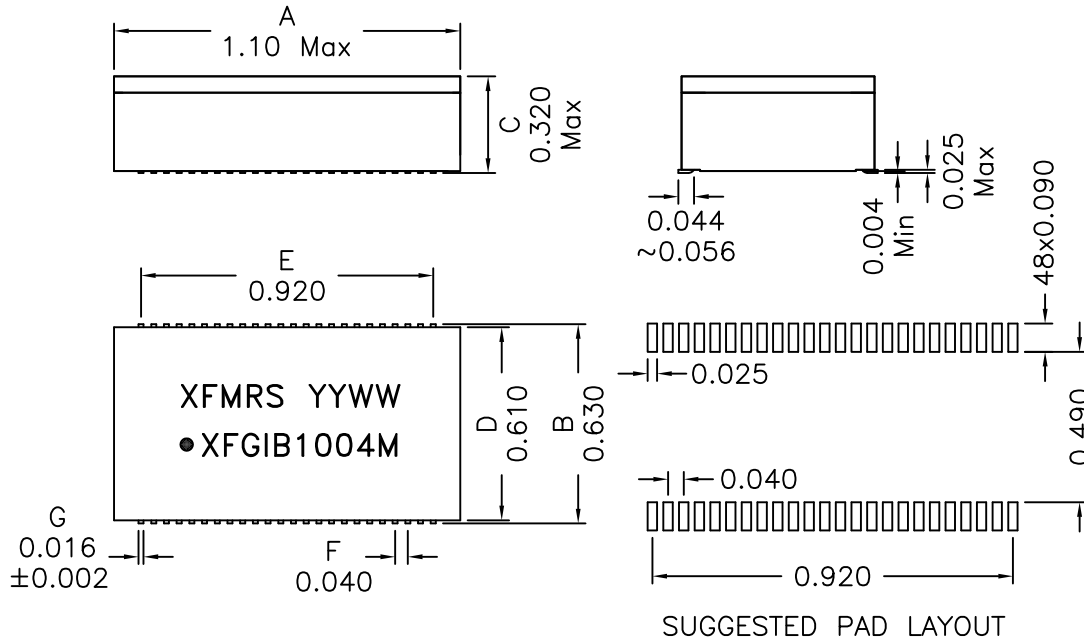


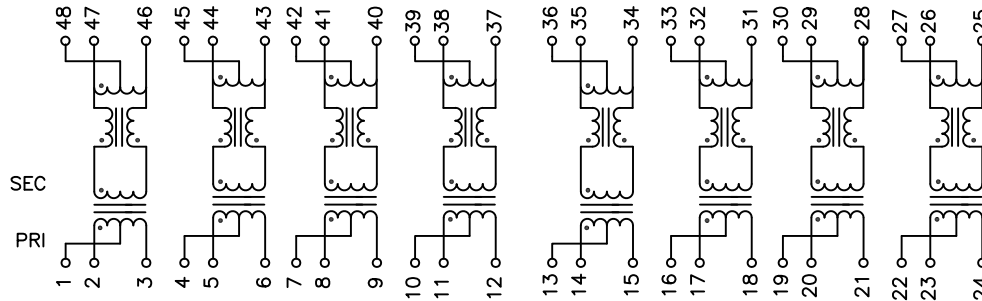
### 1. Mechanical Dimensions:



### 3. Electrical Specifications: @25°C

ISOLATION: 1500 Vrms  
 TURNS RATIO: (PRI/SEC) 1CT:1 ±2%  
 OCL(Pri): 350uH MIN @100KHz 100mV 8mADC  
 Rise Time: 1.75ns Max.  
 INSERTION LOSS: -1.0dB MAX @1MHz-100MHz  
 RETURN LOSS: -18dB Min @1-30MHz  
 -18dB Min @40MHz, -16dB Min @50MHz  
 -12dB Min @60-80MHz, -10dB Min @100MHz  
 Differential to Common Mode Rejection:  
 -43dB Min @30MHz -37dB Min @60MHz  
 -33dB Min @100MHz  
 CMRR: -30dB Min @1-100MHz  
 Crosstalk: -45dB Min @30MHz  
 -40dB Min @60MHz, -35dB Min @100MHz  
 Q: 5 Min @10KHz 50mV

### 2. Schematic:



#### Notes:

1. Solderability: Leads shall meet MIL-STD-202G, Method 208H for solderability.
2. Flammability: UL94V-0
3. ASTM oxygen index: > 28%
4. Insulation System: Class F 155°C. UL file E151556
5. Operating Temperature Range: All listed parameters are to be within tolerance from 0°C to +70°C
6. Storage Temperature Range: -55°C to +125°C
7. Aqueous wash compatible
8. SMD Lead Coplanarity: ±0.004"(0.102mm)
9. Electrical and mechanical specifications 100% tested
10. RoHS Compliant Component

DOC. REV: B/2

<b>XFMRS Inc</b> www.XFMRS.com	Title: 1000BASE-T Modules		
	UNLESS OTHERWISE SPECIFIED	P/N: XFGIB1004M	REV. B
TOLERANCES: .xxx ±0.010	DWN.	Yuan	Mar-12-15
Dimensions in Inch	CHK.	YK Liao	Mar-12-15
SHEET 1 OF 1	APP.	BSJ	Mar-12-15