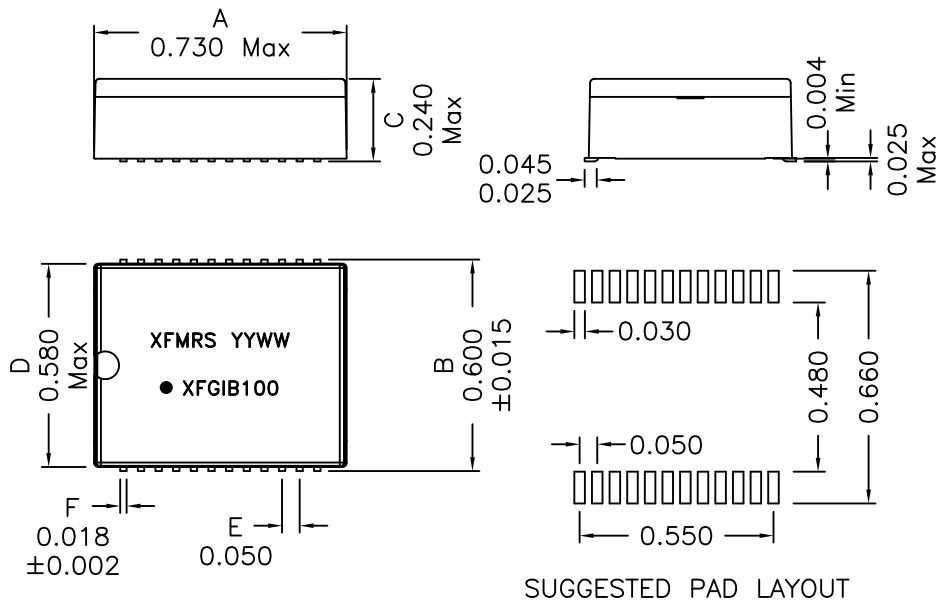
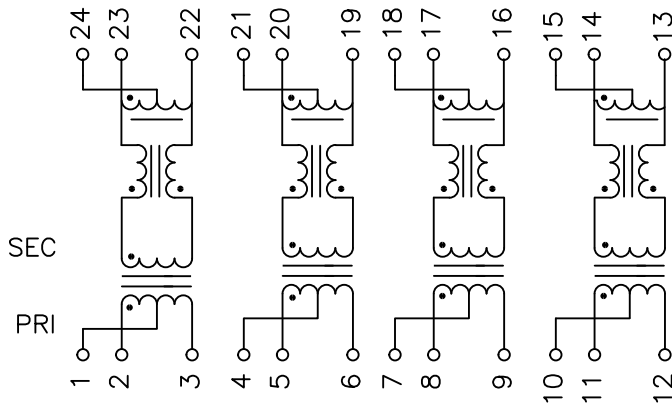


1. Mechanical Dimensions:



2. Schematic:



3. Electrical Specifications: @25°C

- ISOLATION: 1500 Vrms
- URNS RATIO: (PRI/SEC) 1CT:1CT ±2%
- OCL: 350uH MIN @100KHz 100mV 8mADC
- Pri DCR: 0.56 Ohms Max
- Sec DCR: 0.42 Ohms Max
- Rise Time: 1.75ns Max.
- INSERTION LOSS: -1.0dB MAX @1MHz-100MHz
-1.5dB MAX @100-125MHz
- RETURN LOSS: 18dB Min @1-40MHz
14.5dB Min @60MHz
12dB Min @80MHz
10dB Min @100MHz
- Differential to Common Mode Rejection:
-43dB Min @30MHz -37dB Min @80MHz
-33dB Min @100MHz
- CMRR: -30dB Min @1-100MHz
- Crosstalk: -45dB Min @30MHz
-40dB Min @60MHz -35dB Min @100MHz
- Q: 5 Min @10KHz 50mV

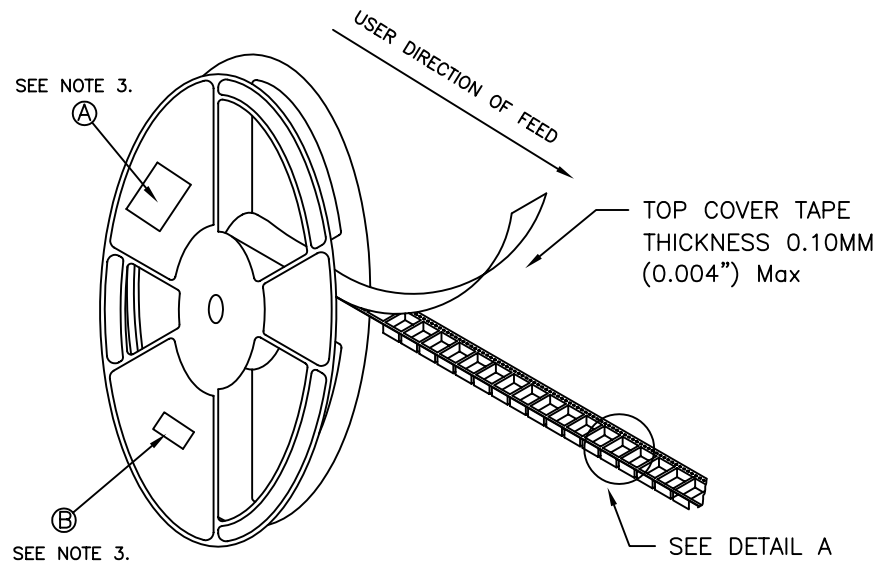
Notes:

1. Solderability: Leads shall meet MIL-STD-202G, Method 208H for solderability.
2. Flammability: UL94V-0
3. ASTM oxygen index: > 28%
4. Insulation System: Class F 155°C. UL file E151556
5. All listed parameters are to be within tolerance from 0°C to +70°C unless otherwise noted
6. Storage Temperature Range: -55°C to +125°C
7. Aqueous wash compatible
8. SMD Lead Coplanarity: ±0.004*(0.102mm)
9. Electrical and mechanical specifications 100% tested
10. RoHS Compliant Component
11. Recommended IR Reflow peak temp of 250°C Max.
12. Complies with IEEE 802.3 standard

| | | | |
|-----------------------------------|--|---------|---------------|
| XFMRS Inc www.XFMRS.com | Title: 1000BASE-T Modules | | |
| | UNLESS OTHERWISE SPECIFIED TOLERANCES: .xxx ±0.010 | | P/N: XFGIB100 |
| Dimensions in INCH | DWN. | Yuan | Mar-11-19 |
| | CHK. | YK Liao | Mar-11-19 |
| SHEET 1 OF 1 | APP. | DDC | Mar-11-19 |

DOC. REV: C/4

TAPE AND REEL SPECIFICATION:



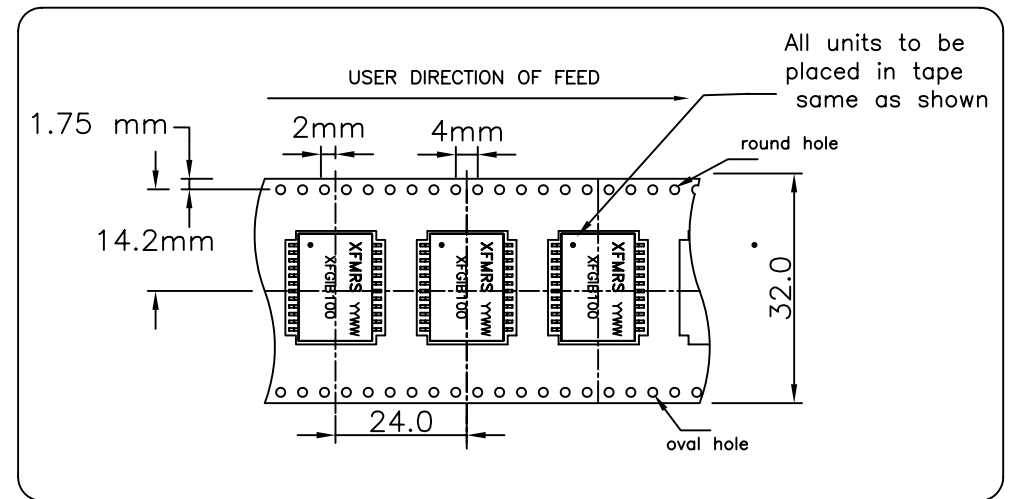
REEL AND TAPE ORIENTATION

13" REEL DIAMETER

NOTES:

- 1) PROCESS IN ACCORDANCE WITH EIA-481-2 STANDARDS
 - * TAPE LEADER DIMENSION 15.30" MIN.
 - * TAPE TRAILER DIMENSION 6.30" MIN.
- 2) PARTS SHOULD BE PACKAGED IN ACCORDANCE WITH ESD GUIDELINES IN EIA-541.
- 3) REEL LABEL: 'A' * PART NUMBER
 * QUANTITY
 * DATE CODE
 'B' - ANTI-STATIC CAUTION LABEL
- 4) 380PCS PER 13" REEL

DETAIL A

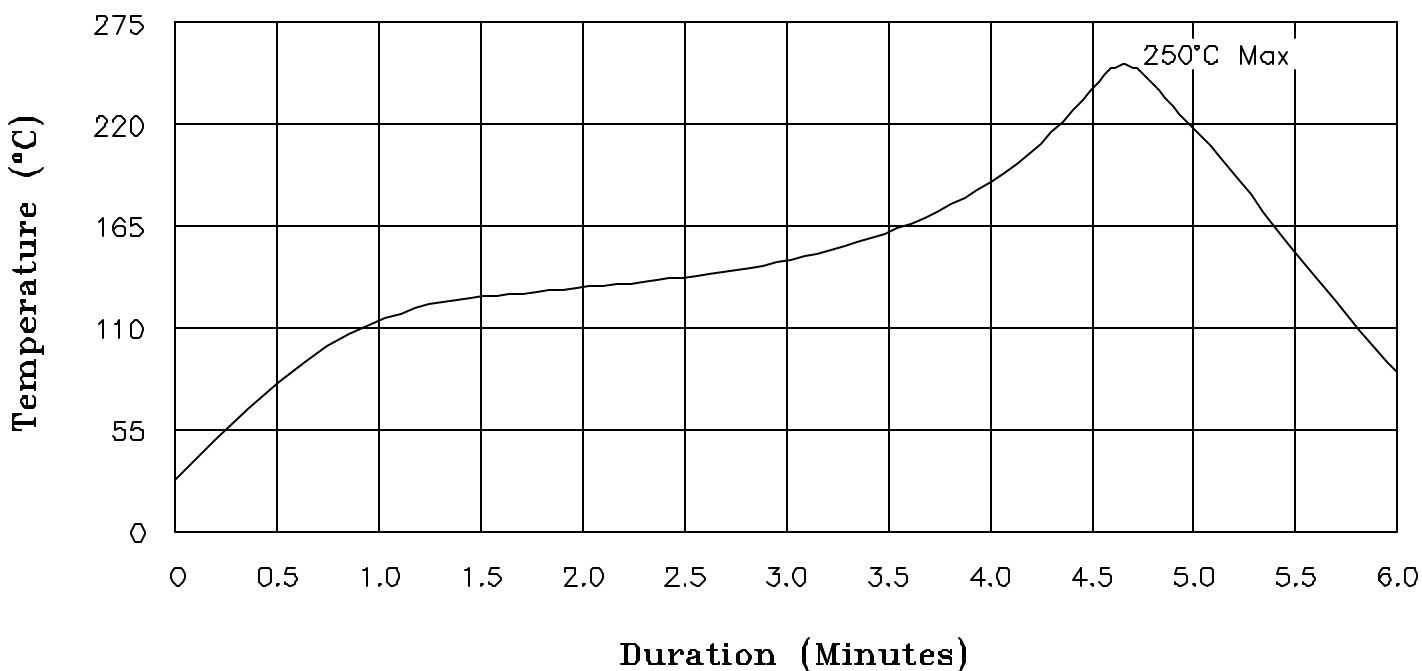


DOC. REV. A/4

| | | | |
|------------------|----------------------------|------|---------------|
| XFMRs Inc | Title: T&R SPEC | | |
| | UNLESS OTHERWISE SPECIFIED | | P/N: XFGIB100 |
| | TOLERANCES: | | REV:A |
| | .xxs ±xxxxx | | |
| Dimensions in mm | | DWN. | RP CHEN |
| | | CHK. | WENG |
| | | APP. | BW |
| SHT 2 OF 2 | | | MAR-16-03 |
| | | | MAR-16-03 |
| | | | MAR-16-03 |

XFMRs

Recommended Infrared Reflow Temperature Profile for Select Parts



NOTES: Maximum duration at 250°+0/-5° shall be 10-15 seconds.
 Maximum duration above 217° shall be 50-120 seconds.
 ALL Temperatures refer to topside of the package, measured on the package body surface.

| | | | | |
|-----------------------------------|--|----------|-----------|--------|
| XFMRs Inc www.XFMRs.com | Title: IR REFLOW CHART (250°C) | | | |
| | UNLESS OTHERWISE SPECIFIED TOLERANCES: N/A | | P/N: N/A | REV. A |
| | DWN. | Juan Mao | Dec-20-06 | |
| | CHK. | YK Liao | Dec-20-06 | |
| SHEET 1 OF 1 | APP. | Joe Huff | Dec-20-06 | |