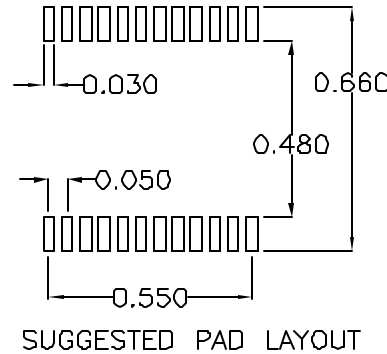
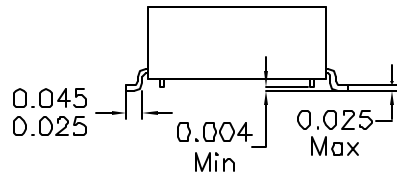
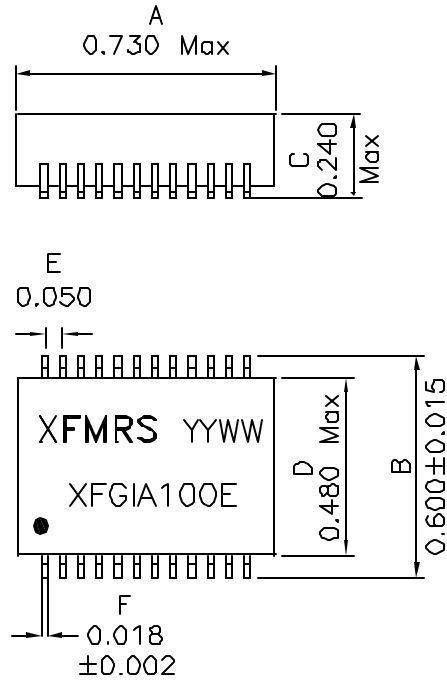
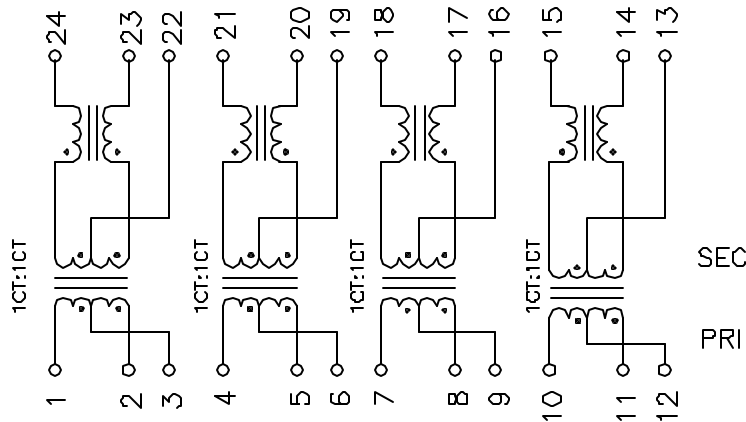


### 1. Mechanical Dimensions:



### 2. Schematic:



DOC REV: A/1

### 3. Electrical Specifications: @25°C

- ISOLATION: 1500 Vrms
- URNS RATIO: (PRI/SEC) 1CT:1CT ±2%
- OCL: 350uH Min @100KHz 100mV 8mADC
- Pri DCR: TBD Ohms Max
- Sec DCR: TBD Ohms Max
- INSERTION LOSS: -1.0dB MAX @1MHz-100MHz  
-1.5dB MAX @125MHz
- RETURN LOSS: -18dB Min @1MHz-30MHz  
-15dB Min @60MHz  
-12dB Min @80MHz  
-10dB Min @100MHz
- COMMON TO COMMON REJECTION: -30dB Min @100KHz-155MHz
- Crosstalk: -35dB Min @10MHz-100MHz

Notes:

1. Solderability: Leads shall meet MIL-STD-202G, Method 208H for solderability.
2. Flammability: UL94V-0
3. ASTM oxygen index: > 28%
4. Insulation System: Class F 155°C. UL file E151556
5. Operating Temperature Range: All listed parameters are to be within tolerance from -40°C to +85°C
6. Storage Temperature Range: -55°C to +125°C
7. Aqueous wash compatible
8. SMD Lead Coplanarity: ±0.004"(0.102mm)
9. Electrical and mechanical specifications 100% tested
10. RoHS Compliant Component

<b>XFMRS Inc</b> www.XFMRS.com		Title: 1000BASE-T Modules	
UNLESS OTHERWISE SPECIFIED TOLERANCES: .xxx ±0.010	P/N: XFGIA100E		REV. A
	DWN.	Juan Mao	Apr-24-08
Dimensions in INCH	CHK.	YK Liao	Apr-24-08
SCALE 2:1 SHT 1 OF 1	APP.	Joe Huff	Apr-24-08