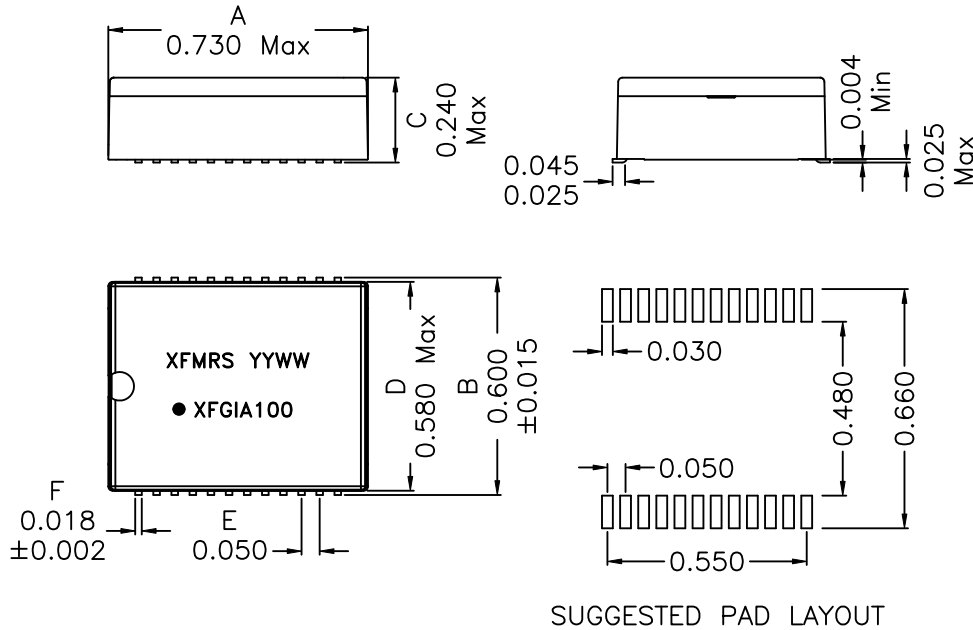
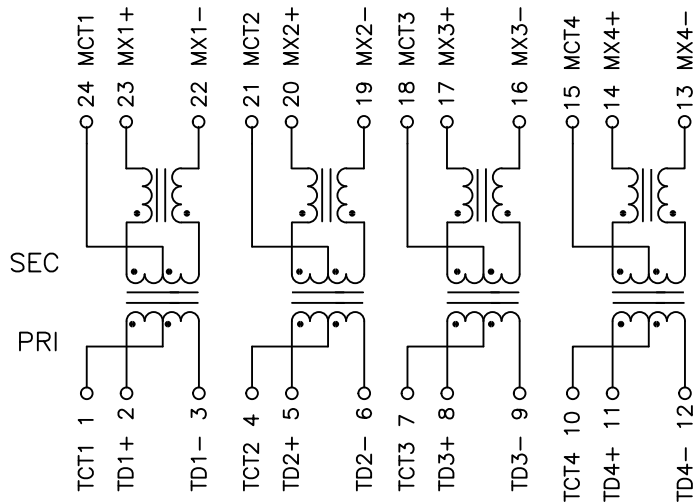


1. Mechanical Dimensions:



2. Schematic:



3. Electrical Specifications: @25°C

ISOLATION: 1500Vrms
 TURNS RATIO: (PRI/SEC) 1CT:1CT ±2%
 SEC OCL: 350uH Min @100KHz 100mV, 8mAdc
 Pri DCR: 0.560 Ohms Max
 Sec DCR: 0.775 Ohms Max
 Rise Time: 1.75ns Max.
 INSERTION LOSS: -1.0dB MAX @1MHz-100MHz
 -1.5dB MAX @100-125MHz
 RETURN LOSS: 18dB Min @1-40MHz
 14.5dB Min @60MHz
 12dB Min @80MHz
 10dB Min @100MHz
 Common to Common Rejection:
 -60dB Min @1MHz
 -40dB Min @30MHz
 -35dB Min @80MHz
 -30dB Min @100MHz
 CMRR: -30dB Min @1-60MHz
 Crosstalk: -40dB Min @1-30MHz
 -30dB Min @100MHz
 Q: 5 Min @10KHz 50mV

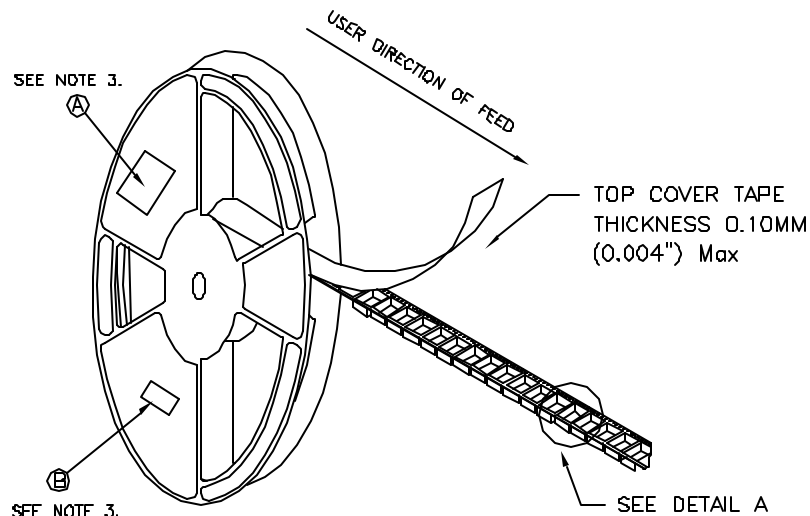
Notes:

1. Solderability: Leads shall meet MIL-STD-202G, Method 208H for solderability.
2. Flammability: UL94V-0
3. ASTM oxygen index: > 28%
4. Constructed with UL Recognized materials.
5. All listed parameters are to be within tolerance from -40°C to +100°C unless otherwise noted.
6. Storage Temperature Range: -55°C to +125°C
7. Aqueous wash compatible
8. SMD Lead Coplanarity: ±0.004"(0.102mm)
9. Electrical and mechanical specifications 100% tested
10. RoHS Compliant Component
11. Recommended IR Reflow peak temp of 250°C Max
12. Complies with IEEE 802.3 standard

XFMRs ® www.XFMRs.com	Title: 1000BASE-T Modules		
	UNLESS OTHERWISE SPECIFIED TOLERANCES:	P/N: XFGIA100	REV. C
.xxx ±0.010	DWN.	Feng	Feb-18-20
Dimensions in INCH	CHK.	YK Liao	Feb-18-20
SHEET 1 OF 1	APP.	Joe Huff	Feb-18-20

DOC. REV: C/4

TAPE AND REEL SPECIFICATION:



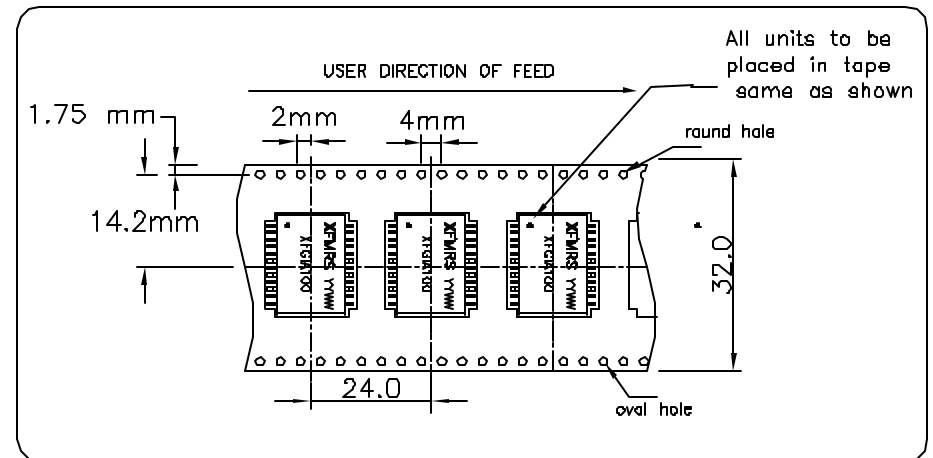
REEL AND TAPE ORIENTATION

13" REEL DIAMETER

NOTES:

- 1) PROCESS IN ACCORDANCE WITH EIA-481-2 STANDARDS
 - * TAPE LEADER DIMENSION 15.30" MIN.
 - * TAPE TRAILER DIMENSION 6.30" MIN.
- 2) PARTS SHOULD BE PACKAGED IN ACCORDANCE WITH ESD GUIDELINES IN EIA-541.
- 3) REEL LABEL: 'A' * PART NUMBER
 - * QUANTITY
 - * DATE CODE
 'B'- ANTI-STATIC CAUTION LABEL
- 4) 380PCS PER 13"REEL

DETAIL A

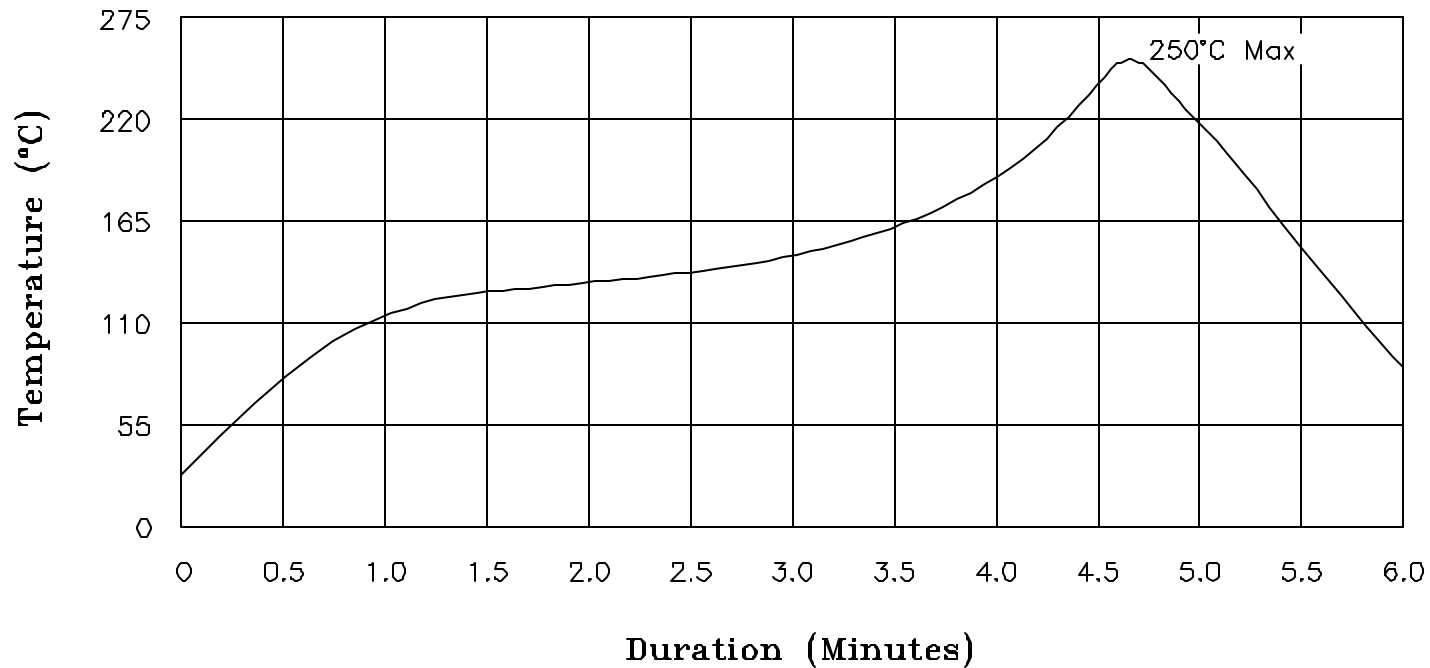


DOC. REV. A/1

XFMRS Inc UNLESS OTHERWISE SPECIFIED TOLERANCES: .xxs ±xxxxx Dimensions in mm	Title: T&R SPEC		
	P/N: XFGIA100		REV:A
	DWN.	RP CHEN	MAR-16-03
	CHK.	WENG	MAR-16-03
SHT 2 OF 2	APP.	BW	MAR-16-03

XFMRs

Recommended Infrared Reflow Temperature Profile for Select Parts



NOTES: Maximum duration at 250°+0/-5° shall be 10-15 seconds.
 Maximum duration above 217° shall be 50-120 seconds.
 ALL Temperatures refer to topside of the package, measured on the package body surface.

XFMRs Inc www.XFMRs.com	Title: IR REFLOW CHART (250°C)			
	UNLESS OTHERWISE SPECIFIED TOLERANCES: N/A		P/N: N/A	REV. A
	DWN.	Juan Mao	Dec-20-06	
	CHK.	YK Liao	Dec-20-06	
SHEET 1 OF 1	APP.	Joe Huff	Dec-20-06	