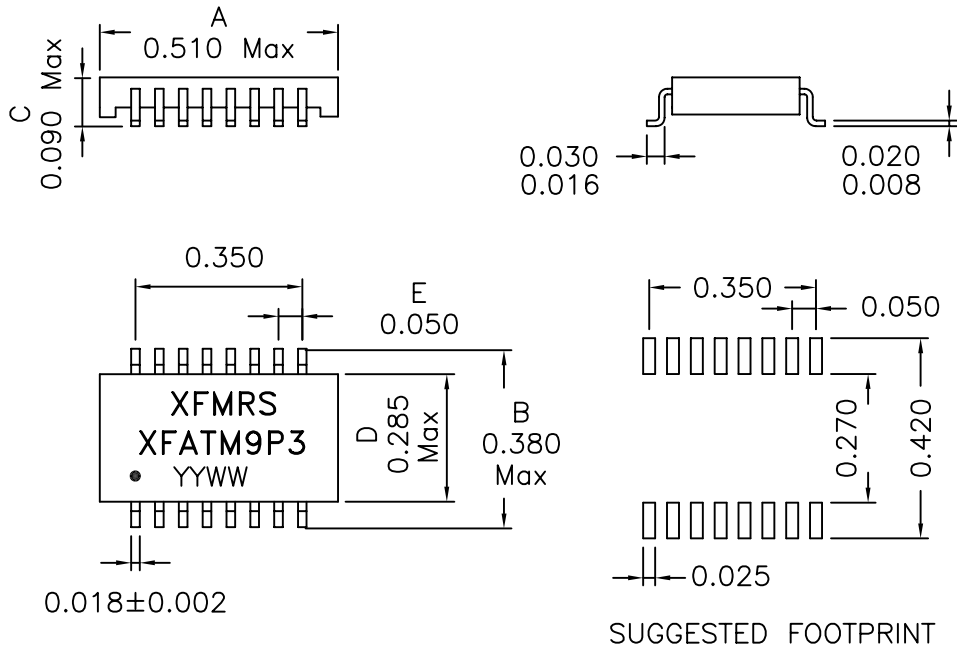


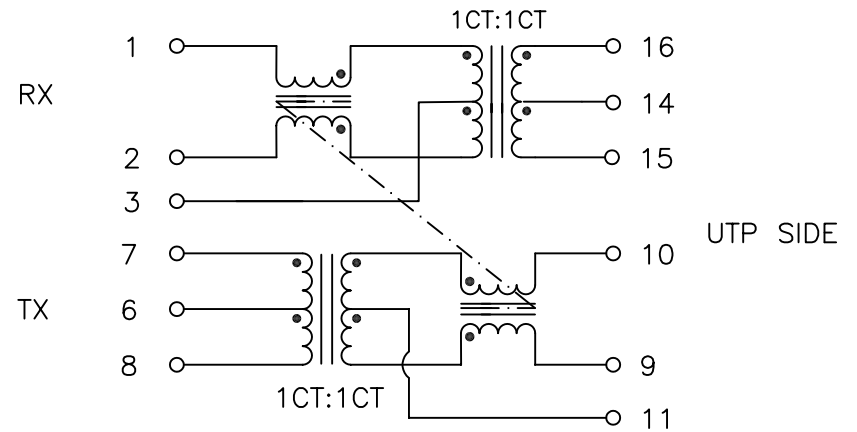
1. Dimensions:



Note:

1. Solderability: Leads shall meet MIL-STD-202, Method 208D for solderability.
2. Flammability: UL94V-0,
3. ASTM oxygen index: > 28% ,
4. Operating Temperature Range: 0°C to +70°C

2. Schematic:



3. Electrical Specifications: @25°C

UTP Impedance: 100 OHMS

Turns Ratio: TX : 1CT:1CT ±2% RX : 1CT:1CT ±2%

Isolation Voltage: 1500 VAC (Input to Output)

UTP Side OCL: 350uH Minimum @100KHz,100mV

Rise Time (10-90%): 2.0ns Typical

Insertion Loss (1-100MHz): -1.0dB Maximum

Return Loss(5-100MHz): -12dB Typical

CMRR (1MHz-100MHz): -40dB TYPICAL

Crosstalk Attenuation: -50dB Typ.

DOC. REV. A/4

XFMRs Inc.		Title: 10/100BASE-TX MAGNETICS	
UNLESS OTHERWISE SPECIFIED TOLERANCES: .xxx ±0.010 Inch Dimensions in Inch/mm		P/N: XFATM9P3	REV. A
DWN.	廖玉坤	Feb-25-04	
CHK.	李清儿	Feb-25-04	
APP.	MS	Feb-25-04	