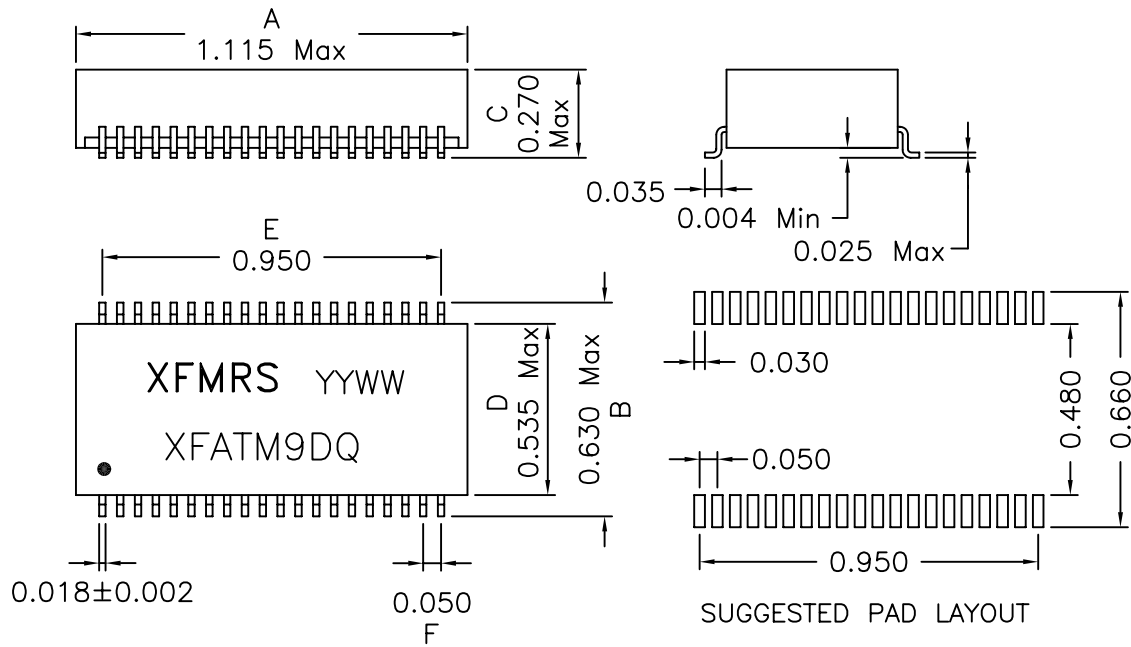
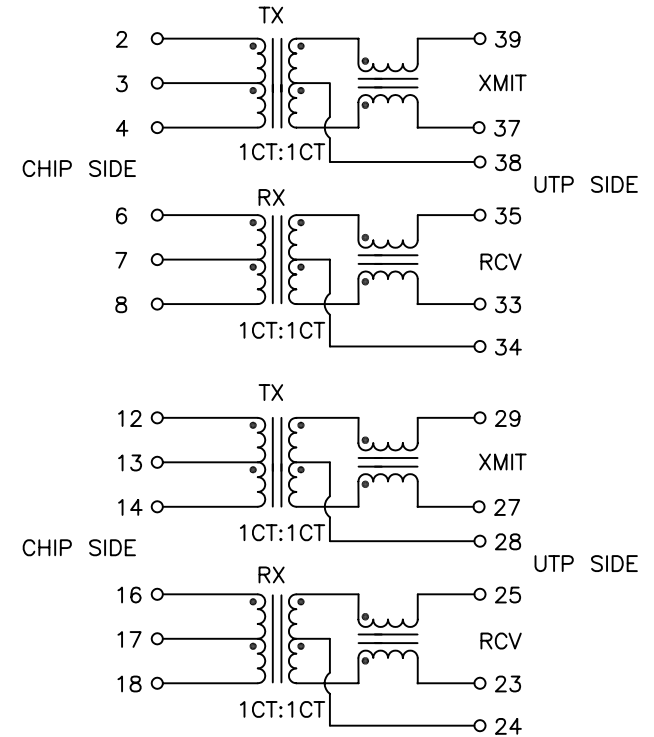


1. Dimensions:



2. Schematic:



3. Electrical Specifications: @25°C

Turns Ratio: TX : 1CT:1CT (±2%) RX : 1CT:1CT (±2%)
 Isolation Voltage: 1500 Vrms (Input to Output)
 UTP Side OCL: 350uH Minimum @100KHz, 100mV 8mADC
 Rise Time (10-90%): 2.0ns Typical
 Insertion Loss (0.1M-100MHz): -1.0dB Maximum
 Return Loss(2-30MHz): -16dB Min
 Return Loss(40MHz): -14.4dB Min
 Return Loss(50MHz): -13dB Min
 Return Loss(60-80MHz): -12dB Min
 Crosstalk Attenuation(1MHz): -50dB Typ
 Crosstalk Attenuation(30MHz): -45dB Typ
 Crosstalk Attenuation(60MHz): -40dB Typ
 Crosstalk Attenuation(100MHz): -35dB Typ
 CMRR (1-60MHz): -37dB Typical
 CMRR (60-200MHz): -33dB Typical

DOC. REV: A/3

Notes:

- Solderability: Leads shall meet MIL-STD-202, Method 208D for solderability.
- Flammability: UL94V-0
- ASTM oxygen index: > 28%
- Insulation System: Class F, 155°C. UL file E151556
- Operating Temperature Range: All listed parameters are to be within tolerance from -40°C to +85°C
- Storage Temperature Range: -55°C to +125°C
- Aqueous wash compatible

XFMRS INC	Title: 10/100 BASE MAGNETIC MODULE	
	UNLESS OTHERWISE SPECIFIED	REV. A
TOLERANCES: .xxx ±0.010	P/N: XFATM9DQ	DWN. 李清儿 Mar-15-03
Dimensions in Inch	CHK. 孙悦	Mar-15-03
SHEET 1 OF 1	APP. Isaiah M	Mar-15-03