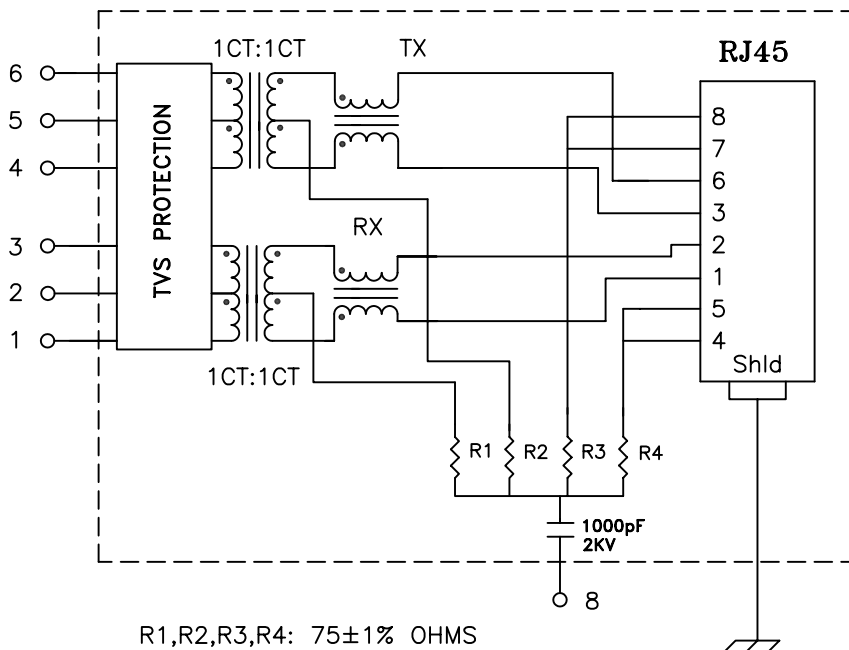


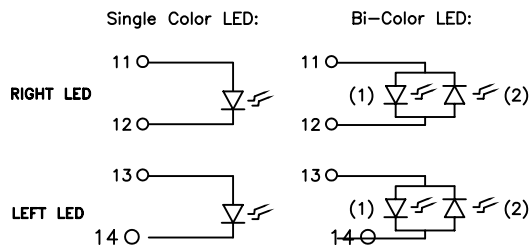
Schematic:



R1,R2,R3,R4: 75±1% OHMS

Electrical Specifications: @25°C

- Isolation Voltage: 1500 Vrms (Input to Output)
- Q: 18 Min @100KHz 100mV
- Turns Ratio: TX 1CT:1CT ±3% RX 1CT:1CT ±3%
- CABLE SIDE OCL: 350uH Minimum @100KHz 100mV 8mADC
- Cw/w: 27pF Typical @100KHz 100mV
- Insertion Loss (300KHz-100MHz): -1.00dB Min
- Return Loss: @30MHz -18dB Minimum
- @80MHz -12dB Minimum

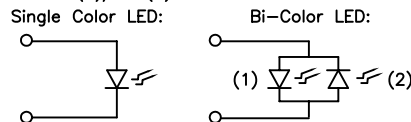


Notes:

1. Solderability: Leads shall meet MIL-STD-202G, Method 208H for solderability.
2. Flammability: UL94V-0
3. ASTM oxygen index: > 28%
4. UL Recognized Component: File Number E200238
5. Operating Temperature Range: All listed parameters are to be within tolerance from -40°C to +85°C
6. Storage Temperature Range: -55°C to +125°C
7. Aqueous wash compatible
8. Electrical and mechanical specifications 100% tested
9. RoHS Compliant Component
10. Designed to meet GR1089
Intra-Building Lightning Standards.

Complete the Combo P/N as follows:

Replace 'x' & 'u' in the part number with one of the LED color letters:
 Y=Yellow 'x' = Left LED Color
 G=Green 'u' = Right LED Color
 A=Amber
 R=Red
 C=Green(1)/Amber(2) Bicolor
 D=Amber(1)/Green(2) Bicolor
 M=Green(1)/Yellow(2) Bicolor
 N=Yellow(1)/Green(2) Bicolor
 P=Red(1)/Green(2) Bicolor
 Q=Green(1)/Red(2) Bicolor



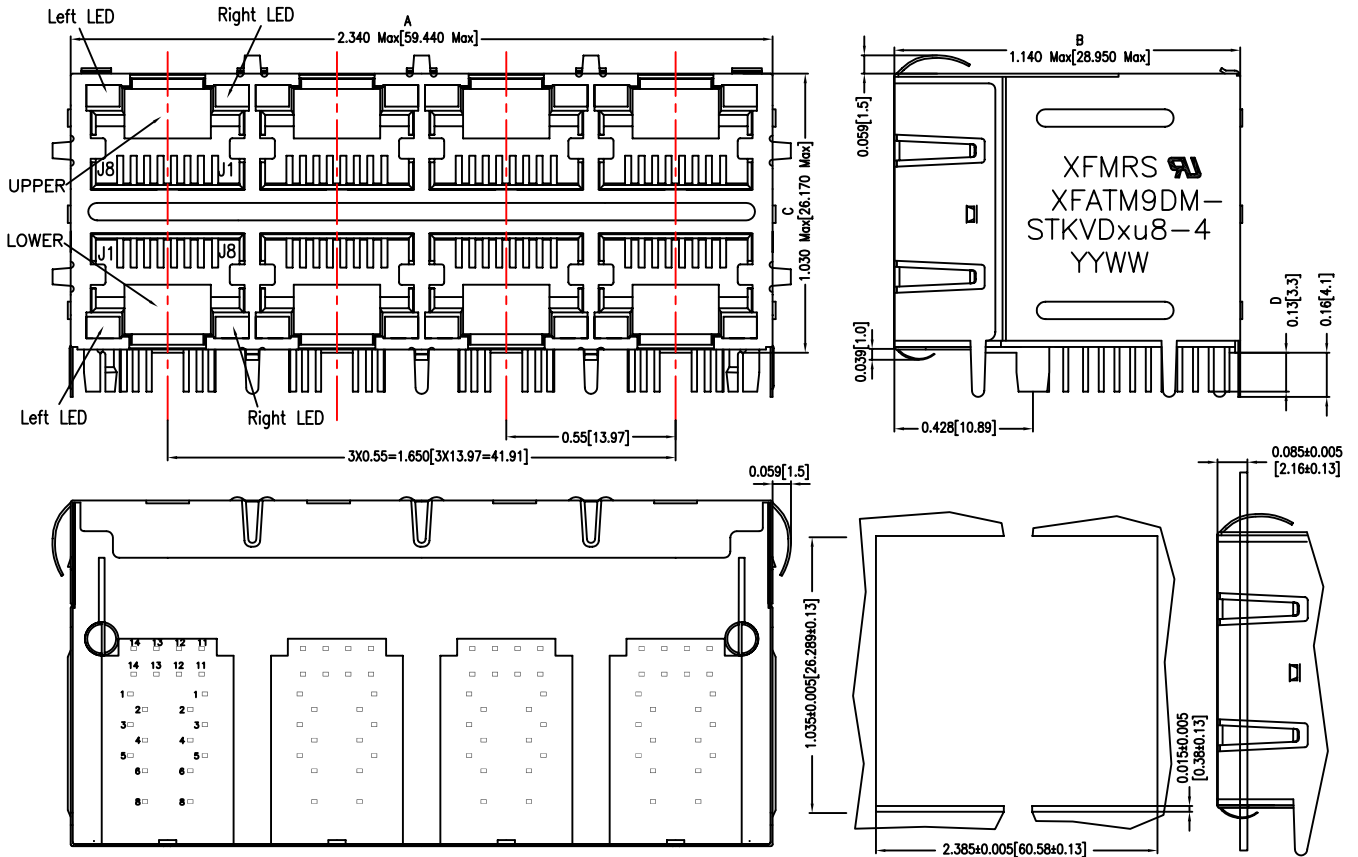
DOC REV: A/1

PROPRIETARY:

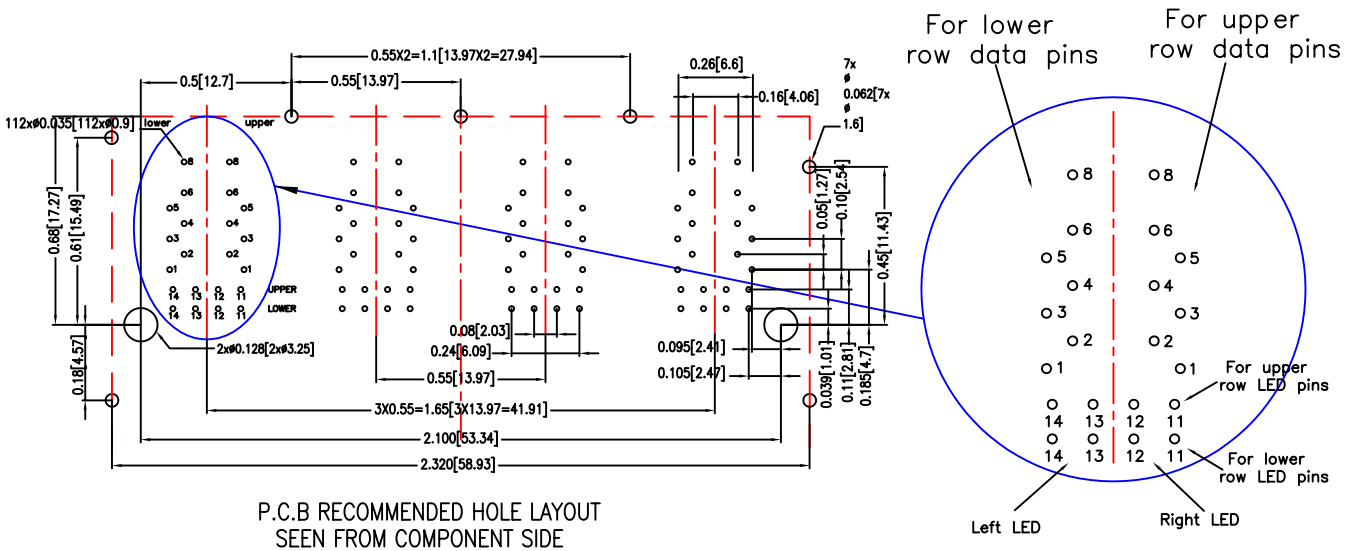
Document is the property of XFMRS Group & is not allowed to be duplicated without authorization.

| | | | | |
|---|--|---|----------|-----------|
| XFMRS Inc. www.XFMRS.com | | Title: 2X4 10/100 Base-T Stacked Combo with dual Rows LED | | |
| | | P/N: XFATM9DM-STKVDxu8-4 | | |
| UNLESS OTHERWISE SPECIFIED TOLERANCES: .xxx ±0.010[±0.25] Dimensions in Inch[mm] | | REV. A | | |
| | | DWN. | Mei Chen | Aug-13-10 |
| SHEET 2 OF 2 | | CHK. | YK Liao | Aug-13-10 |
| | | APP. | BW | Aug-13-10 |

Mechanical Dimensions:



Bottom view



P.C.B RECOMMENDED HOLE LAYOUT SEEN FROM COMPONENT SIDE

Pin-out Assignment

DOC REV: A/1

PROPRIETARY:

Document is the property of XFMRS Group & is not allowed to be duplicated without authorization.

| | | | |
|--|----------|--|-----------|
| XFMRS Inc. www.XFMRS.com | | Title: Mechanical Dimensions For 2x4 Stacked COMBO with Vertical Dual lines Pins | |
| UNLESS OTHERWISE SPECIFIED TOLERANCES: .xxx ±0.010 [±0.25] Dimensions in Inch [mm] | | P/N: XFATM9DM-STKVDxu8-4 | REV. A |
| DWN. | Mei Chen | Aug-13-10 | |
| CHK. | YK Liao | Aug-13-10 | |
| SHEET 2 OF 2 | APP. | BW | Aug-13-10 |