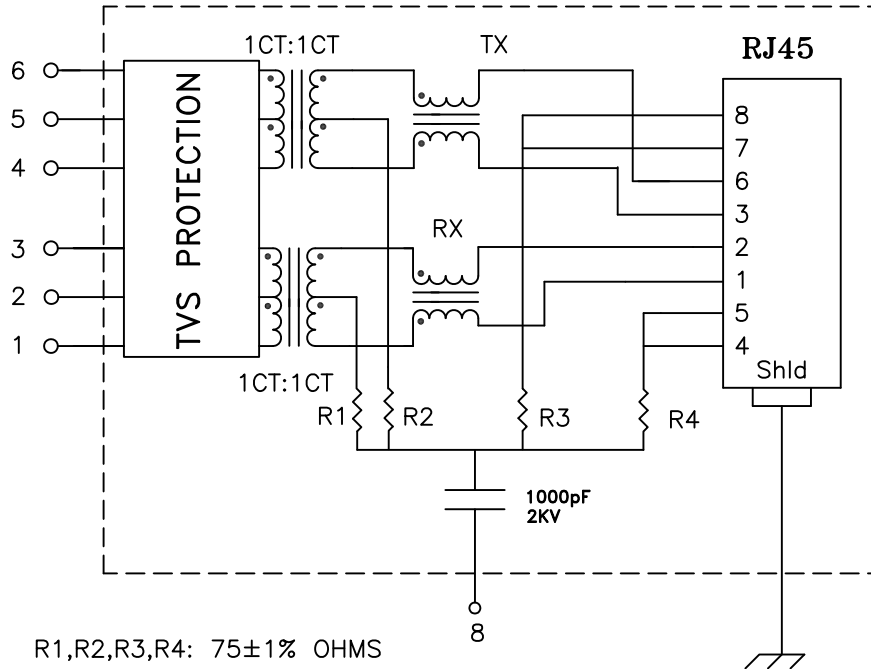


Schematic:



Electrical Specifications: @25°C

Isolation Voltage: 1500 Vrms (Input to Output)

Turns Ratio: TX 1CT:1CT ±3% RX 1CT:1CT ±3%

CABLE SIDE OCL: 350uH Minimum @100KHz 100mV 8mADC

Cw/w: 27pF Typical @100KHz 100mV

Insertion Loss (300KHz-100MHz): -1.00dB Min

Return Loss: @30MHz -18dB Minimum

@80MHz -12dB Minimum

Q: 10 Min @100KHz 100mV

Notes:

1. Solderability: Leads shall meet MIL-STD-202G, Method 208H for solderability.
2. Flammability: UL94V-0
3. ASTM oxygen index: > 28%
4. UL Recognized Component: File Number E165866
5. Operating Temperature Range: All listed parameters are to be within tolerance from -40°C to +85°C
6. Storage Temperature Range: -55°C to +125°C
7. Aqueous wash compatible
8. Electrical and mechanical specifications 100% tested
9. RoHS Compliant Component
10. Designed to meet GR1089 Intra-Building Lightning Standard

DOC. REV: A/1

PROPRIETARY:

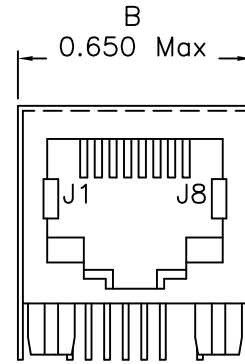
Document is the property of XFMRs Group & is not allowed to be duplicated without authorization.

XFMRs Inc. www.XFMRs.com	Title: SINGLE PORT COMBO		
	UNLESS OTHERWISE SPECIFIED TOLERANCES: .xxx ±0.010 Dimensions in Inch	P/N: XFATM9DM-COMB01-2MS	REV. A
SHEET 1 OF 2	DWN.	Yuan	Oct-04-12
	CHK.	YK Liao	Oct-04-12
	APP.	BSJ	Oct-04-12

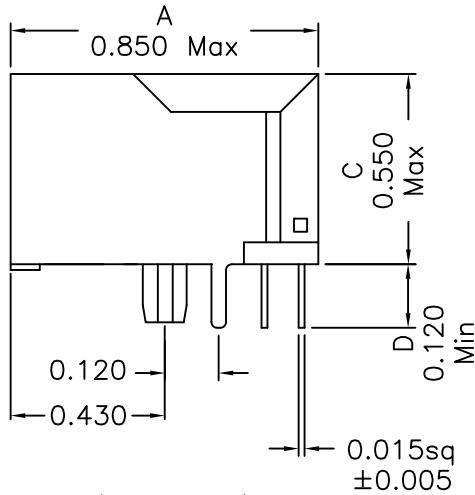
Mechanical Dimensions:



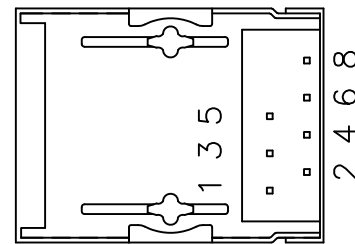
(TOP VIEW)



(FRONT VIEW)

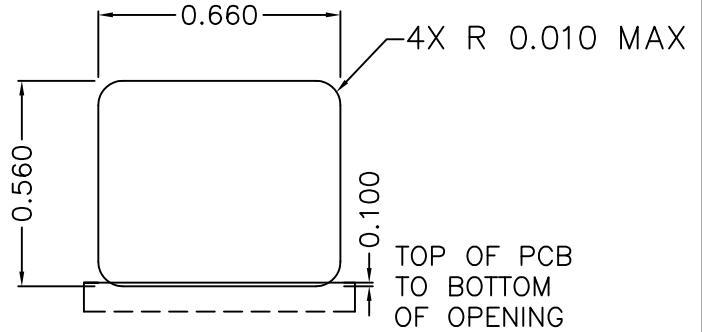
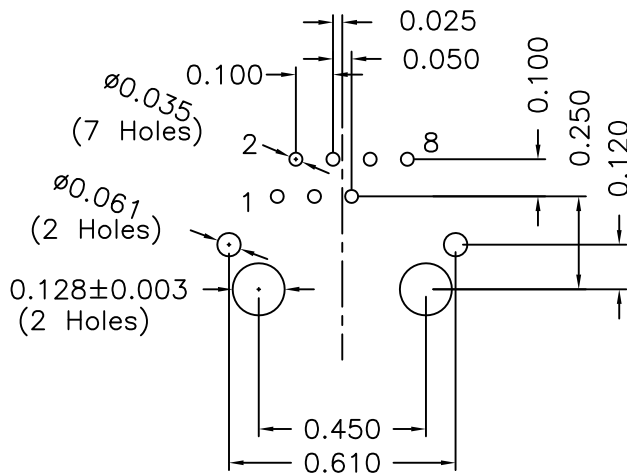


(SIDE VIEW)



(BOTTOM VIEW)

Mounting Pattern:



FACE VIEW
RECOMMENDED PANEL CUTOUT

Preliminary

DOC REV: A/1

XFMRS Inc. www.XFMRS.com	Title: Mechanical Dimensions For COMBO1-2MS Series		
	UNLESS OTHERWISE SPECIFIED TOLERANCES: .xxx ±0.010 Dimensions in Inch	P/N: XFATM9DM-COMBO1-2MS	REV. A
SHEET 2 OF 2	DWN.	Yuan	Oct-04-12
	CHK.	YK Liao	Oct-04-12
	APP.	BSJ	Oct-04-12

PROPRIETARY:

Document is the property of XFMRS Group & is not allowed to be duplicated without authorization.