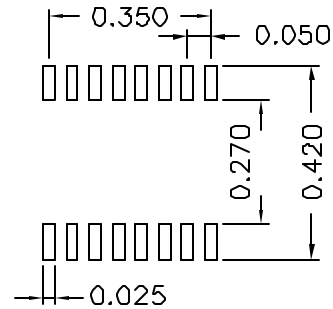
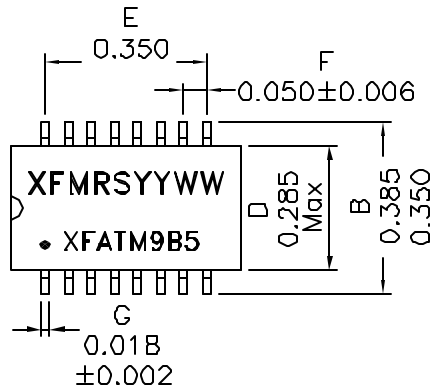
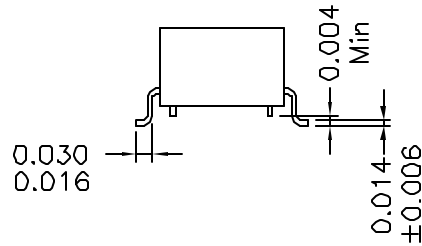
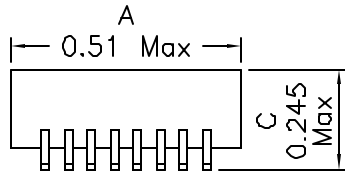
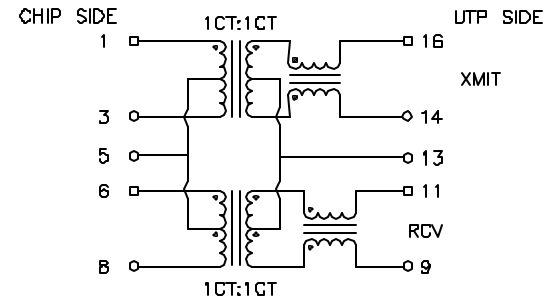


1. Mechanical Dimensions:



SUGGESTED FOOTPRINT

2. Schematic:



3. Electrical Specifications: @25°C

UTP Impedance: 100 OHMS

Turns Ratio: TX : 1CT:1CT ±2% RX : 1CT:1CT ±2%

Isolation Voltage: 1500 VAC (Input to Output)

UTP Side OCL: 350uH Minimum @100KHz, 100mV 8mADC

Rise Time (10-90%): 4.0ns Typical

Insertion Loss (1-100MHz): -1.0dB Maximum

Return Loss : 30MHz 60MHz 80MHz

-20dB -14dB -11.5dB (Typical)

CMRR (1MHz-100MHz): -40dB TYPICAL

Crosstalk Attenuation: -40dB Minimum

Notes:

- Solderability: Leads shall meet MIL-STD-202G, Method 208H for solderability.
- Flammability: UL94V-0
- ASTM oxygen index: > 28%
- Insulation System: Class F 155°C. UL file E151556
- Operating Temperature Range: All listed parameters are to be within tolerance from -40°C to +85°C
- Storage Temperature Range: -55°C to +125°C
- Aqueous wash compatible
- SMD Lead Coplanarity: ±0.004"(0.102mm)
- Electrical and mechanical specifications 100% tested
- RoHS Compliant Component

DOC REV: A/3

PROPRIETARY

Document is the property of XFMRs Group & is not allowed to be duplicated without authorization.

XFMRs INC www.XFMRs.com		Title: 10/100 BASE MAGNETIC MODULE	
UNLESS OTHERWISE SPECIFIED TOLERANCES: .xxx ±0.010 Dimensions in Inch SHEET 1 OF 1	P/N: XFATM9B5		REV. A
	DWN.	Juan Mao	Mar-10-08
	CHK.	YK Liao	Mar-10-08
	APP.	BW	Mar-10-08