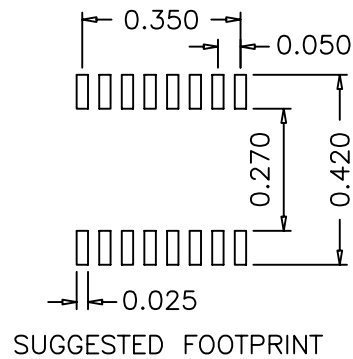
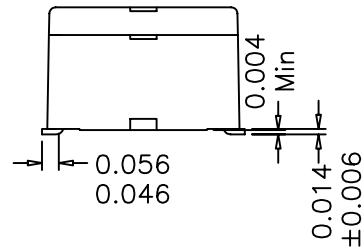
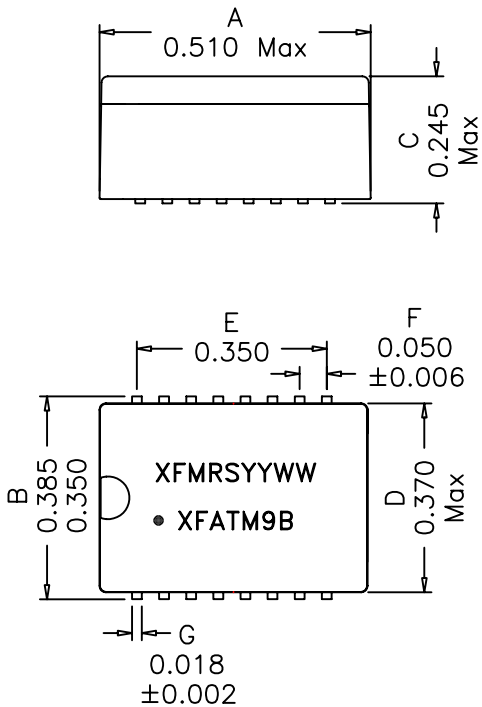
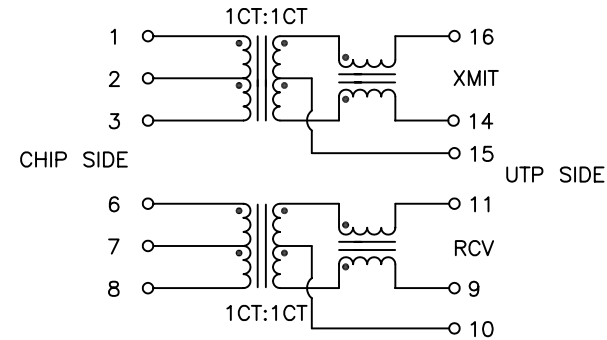


1. Mechanical Dimensions:



2. Schematic:



3. Electrical Specifications: @25°C

UTP Impedance: 100 OHMS
 Turns Ratio: TX=1CT:1CT±2% RX=1CT:1CT±2%
 Isolation Voltage: 1500Vac, Input to Output
 UTP Side OCL: 350uH Min @100KHz 0.1V, 8mA_{dc}
 UTP Side Q: 16 Min @100KHz 0.1V,
 Rise Time (10–90%): 4.0ns Typical
 Insertion Loss (1–132MHz): –1.0dB Maximum
 Return Loss: 30MHz 60MHz 80MHz 132MHz
 –20dB –14dB –11.5dB –9.5dB Typ
 CMRR: 30MHz 50MHz 100MHz 132MHz
 –42dB –37dB –33dB –25dB Typ
 Crosstalk: 30MHz 60MHz 100MHz 132MHz
 –45dB –40dB –35dB –28dB Typ

Notes:

- Solderability: Leads shall meet MIL–STD–202G, Method 208H for solderability.
- Flammability: UL94V–0
- ASTM oxygen index: > 28%
- Insulation System: Class F 155°C. UL file E151556
- Operating Temperature Range: All listed parameters are to be within tolerance from –40°C to +85°C
- Storage Temperature Range: –55°C to +125°C
- Aqueous wash compatible
- SMD Lead Coplanarity: ±0.004”(0.102mm)
- Electrical and mechanical specifications 100% tested
- RoHS Compliant Component

DOC. REV: C/2

| | | | |
|--|--|---------------------------------------|-----------|
| XFMR INC www.XFMR.com | | Title: 10/100 BASE MAGNETIC MODULE | |
| UNLESS OTHERWISE SPECIFIED TOLERANCES: .xxx ±0.010 Dimensions in Inch | | P/N: XFATM9B | REV. C |
| | | DWN. | Mei Chen |
| | | CHK. | YK Liao |
| SHEET 1 OF 1 | | APP. | Joe Huff |
| | | | Sep–08–11 |
| | | | Sep–08–11 |
| | | | Sep–08–11 |

PROPRIETARY

Document is the property of XFMR Group & is not allowed to be duplicated without authorization.