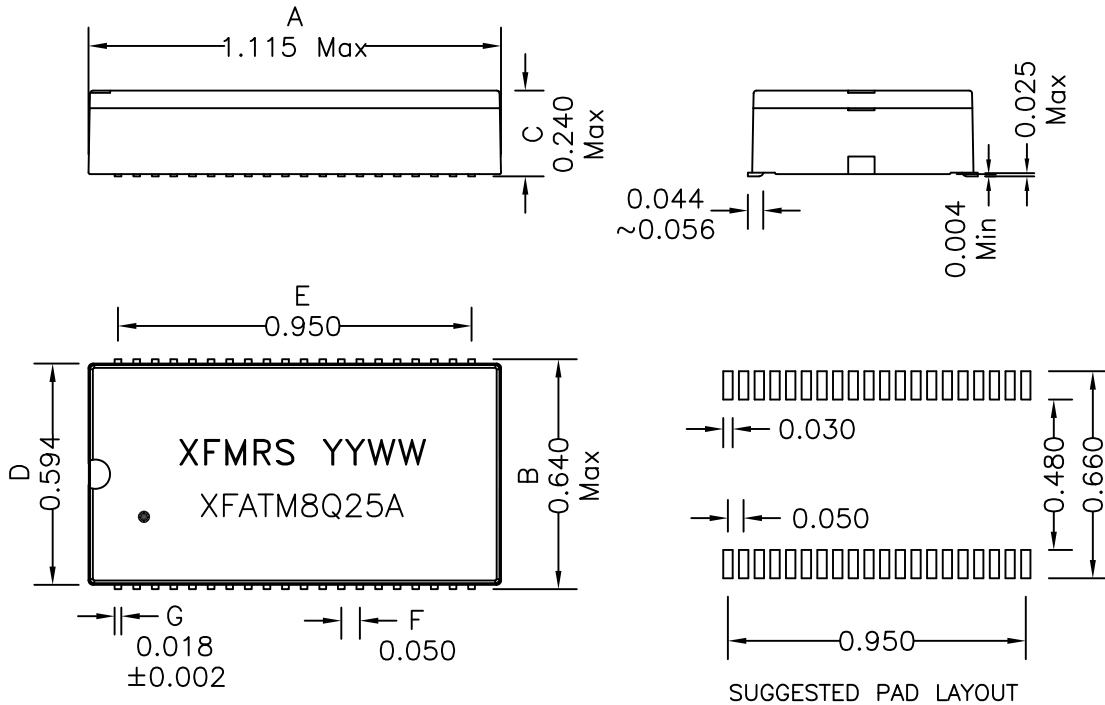
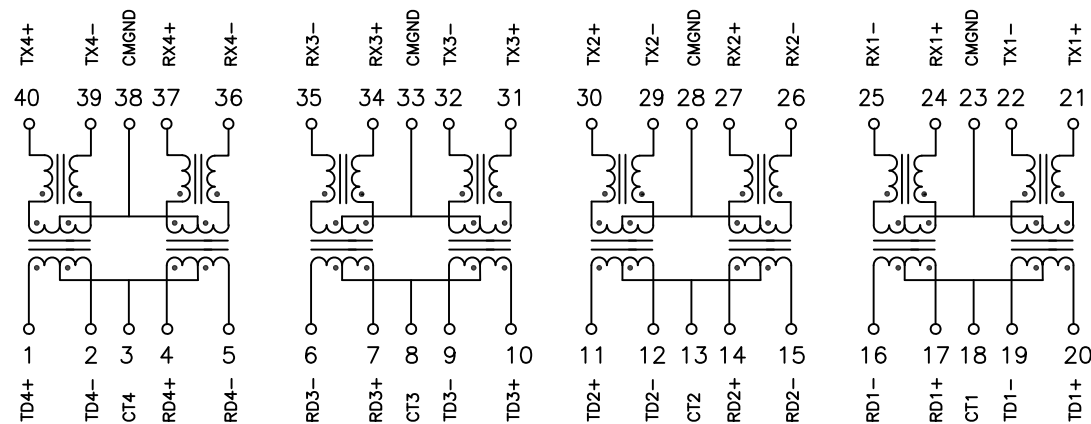


## 1. Mechanical Dimensions:



## 2. Schematic:



DOC. REV: B/2

## 3. Electrical Specifications: @25°C

Isolation: 1500Vrms (PRI to SEC)  
 TX Turns Ratio: 1CT:1CT (PRI:SEC)  
 RCV Turns Ratio: 1CT:1CT (PRI:SEC)  
 PRI OCL: 350uH Minimum @100KHz 100mV 8mAdc  
 Pri Q: 15 Min @10KHz 50mV  
 Insertion Loss: 1.0 dB Max @100KHz - 100MHz  
 Return Loss: -18dB Min, 2-30 MHz  
                   -14.4dB Min, 40 MHz  
                   -13.1dB Min, 50 MHz  
                   -12dB Min, 60-80 MHz  
 Crosstalk: -55dB Min, 1 KHz  
                   -45dB Min, 30 MHz  
                   -40dB Min, 60 MHz  
                   -33dB Min, 100 MHz  
 Differential to Common Mode Rejection:  
                   -37dB Min, 1-60 MHz  
                   -25dB Min, 60-200 MHz

### Notes:

- Solderability: Leads shall meet MIL-STD-202G, Method 208H for solderability.
- Flammability: UL94V-0
- ASTM oxygen index: > 28%
- Insulation System: Class H 180°C. UL file E151556
- Operating Temperature Range: All listed parameters are to be within tolerance from -40°C to +85°C
- Storage Temperature Range: -55°C to +125°C
- Aqueous wash compatible
- SMD Lead Coplanarity: ±0.004"(0.102mm)
- Electrical and mechanical specifications 100% tested
- RoHS Compliant Component
- Recommended IR Reflow peak temp of 250C Max.

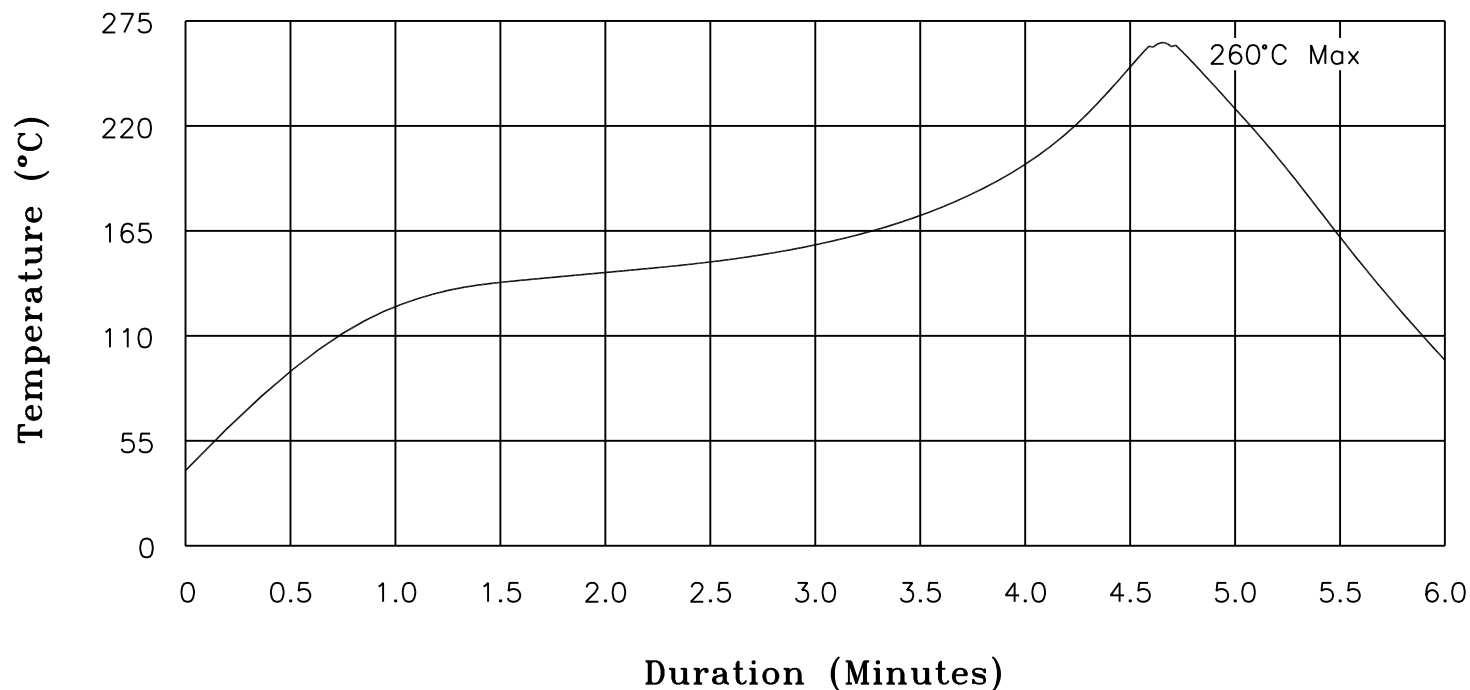
<b>XFMRS Inc</b> www.XFMRS.com	Title: 10/100BASE-TX		
	UNLESS OTHERWISE SPECIFIED TOLERANCES:	P/N: XFATM8Q25A	REV. B
.xxx ±0.010	DWN.	Yuan	Apr-12-13
Dimensions in INCH	CHK.	YK Liao	Apr-12-13
SHEET 1 OF 1	APP.	BSJ	Apr-12-13

**PROPRIETARY**

Document is the property of XFMRS Group & is not allowed to be duplicated without authorization.

# XFMRs

## Recommended Infrared Reflow Temperature Profile for RoHS Compliant Parts



NOTES: Maximum duration at 260°+0/-5° with 10 seconds Max.  
 Maximum duration above 217° shall be 60-150 seconds.  
 ALL Temperatures refer to topside of the package, measured on the package body surface.

<b>XFMRs Inc</b> www.XFMRs.com	Title: <b>IR REFLOW CHART</b> <b>(RoHS Compliant parts)</b>			
	UNLESS OTHERWISE SPECIFIED TOLERANCES: N/A	P/N: N/A	REV. A	
	DWN.	Juan Mao	Jan-16-05	
	CHK.	YK Liao	Jan-16-05	
SHEET 1 OF 1	APP.	MS	Jan-16-05	

**PROPRIETARY** Document is the property of XFMRs Group & is not allowed to be duplicated without authorization.

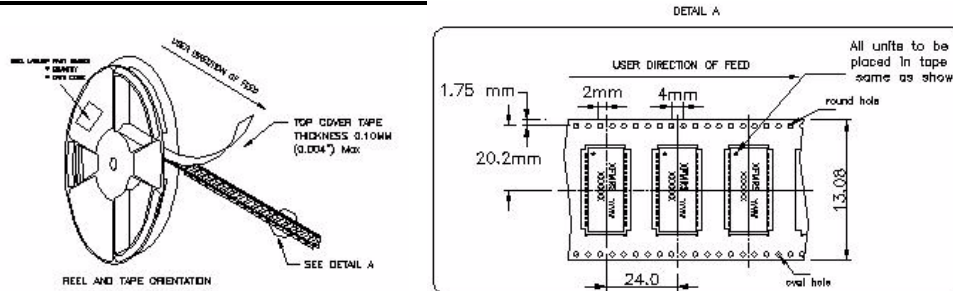
# XFMRs

## EXPENDABLE PACKAGING INFORMATION / QUALIFICATION FORM

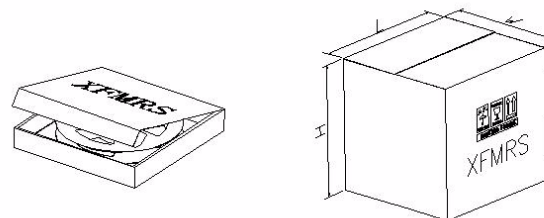
CONCEPT

GENERAL INFORMATION		SUPPLIER INFORMATION	
Part Numbe:	95-N40P-LP-WT	Company Name:	XFMRs
Part Description:	Standard 40Pin Lpin parts	Address Line 1:	UNIT G-J, 3/F, BLK 1, GOLDEN DRAGON IND CTR
Weight (lbs.):	0.00880 lbs.approx	State / ZIP:	152-160 TAI LIN PAI ROAD
T&R Notes: 1) PROCESS IN ACCORDANCE WITH EIA-461-2 STANDARDS * TAPE LEADER DIMENSION 15.30" MIN. * TAPE TRAILER DIMENSION 6.30" MIN. 2) PARTS SHOULD BE PACKAGED IN ACCORDANCE WITH ESD GUIDELINES IN EIA-541. 3) REEL LABEL: 'A' * PART NUMBER * QUANTITY * DATE CODE		Country:	HONG KONG, CHINA
		Program Manager:	Peggy Yiu
		Contact E-mail:	<a href="mailto:pyiu@xfmrs.com.hk">pyiu@xfmrs.com.hk</a>
		Contact Phone:	852 2423 1689

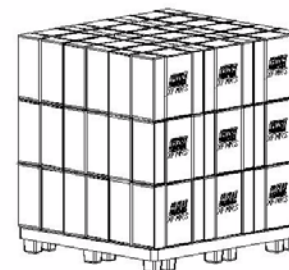
PRIMARY PACKAGING	
Packaging Type:	PS T&R
Dimnsions(cm):	L 33.0   W 33.0   H 4.4
Weight:	1.34 lbs. approx
QPC (Parts Per Reel)	400 pcs.
Total Weight w/parts:	4.86 lbs.
Banding / Shrink / Wrap:	BOPP Wrap
Other:	N/A



SECONDARY PACKAGING	
Packaging Type:	Paper Box
Dimnsions(cm):	L 40.0   W 36.5   H 36.5
Weight:	1.94 lbs.
Boxes per Unit Load:	1600 pcs.
Total weight w/Parts (lbs):	21.88 lbs.approx
Banding / Shrink / Wrap:	BOPP Wrap / PP Banding
Other:	N/A



SHIPPING INFORMATION	
Packaging Type:	PE Pallet
Unit Load dims(cm):	L 120   W 100   H 163
Weight:	16.72 lbs.
Number of box Loads:	24 box.
Number of Parts:	38400 pcs.
Load weight total (lbs):	541.94 lbs.approx
Banding / Shrink / Wrap:	PE Shrink



PACKAGING APPROVAL					
Internal Document Manufacture / Q.A ./ Process Instructions	Drafted	Checked	Approved	Rev	Date
	Kong	Liao	GL	A/1	Jan-17-18