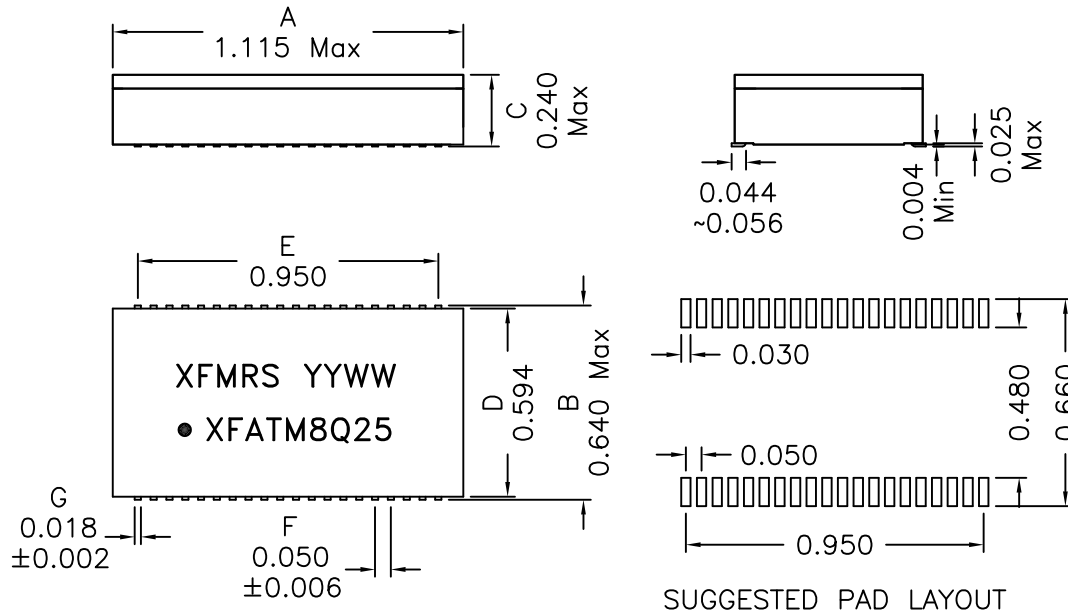


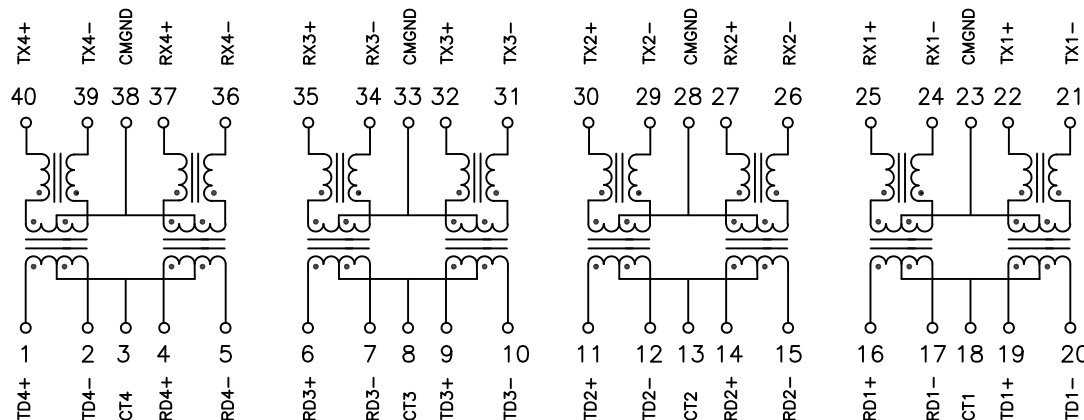
## 1. Mechanical Dimensions:



## 3. Electrical Specifications: @25°C

Isolation: 1500Vrms (PRI to SEC)  
 TX Turns Ratio: 1CT:1CT (PRI:SEC)  
 RCV Turns Ratio: 1CT:1CT (PRI:SEC)  
 PRI OCL: 350uH Minimum @100KHz 100mV 8mAdc  
 Insertion Loss: 1.0 dB Max @100KHz – 100MHz  
 Return Loss: -18dB Min, 2–30 MHz  
 -14.4dB Min, 40 MHz  
 -13.1dB Min, 50 MHz  
 -12dB Min, 60–80 MHz  
 Crosstalk: -55dB Min, 1 KHz  
 -45dB Min, 30 MHz  
 -40dB Min, 60 MHz  
 -33dB Min, 100 MHz  
 Differential to Common Mode Rejection: -37dB Min, 1–60 MHz  
 -25dB Min, 60–200 MHz  
 Q: 5 Min @10KHz 50mV

## 2. Schematic:



### Notes:

1. Solderability: Leads shall meet MIL-STD-202G, Method 208H for solderability.
2. Flammability: UL94V-0
3. ASTM oxygen index: > 28%
4. Insulation System: Class H 180°C. UL file E151556
5. Operating Temperature Range: All listed parameters are to be within tolerance from -40°C to +100°C
6. Storage Temperature Range: -55°C to +125°C
7. Aqueous wash compatible
8. SMD Lead Coplanarity: ±0.004\*(0.102mm)
9. Electrical and mechanical specifications 100% tested
10. RoHS Compliant Component
11. Recommended IR Reflow peak temp of 250C Max.

DOC. REV: B/3

<b>XFMRS Inc</b> www.XFMRS.com	Title: 10/100BASE-TX		
	UNLESS OTHERWISE SPECIFIED TOLERANCES:		
Dimensions in Inch	P/N: XFATM8Q25	REV. B	
SHEET 1 OF 1	DWN.	Yuan	Jun-22-15
	CHK.	YK Liao	Jun-22-15
	APP.	DDC	Jun-22-15

**PROPRIETARY**

Document is the property of XFMRS Group & is not allowed to be duplicated without authorization.