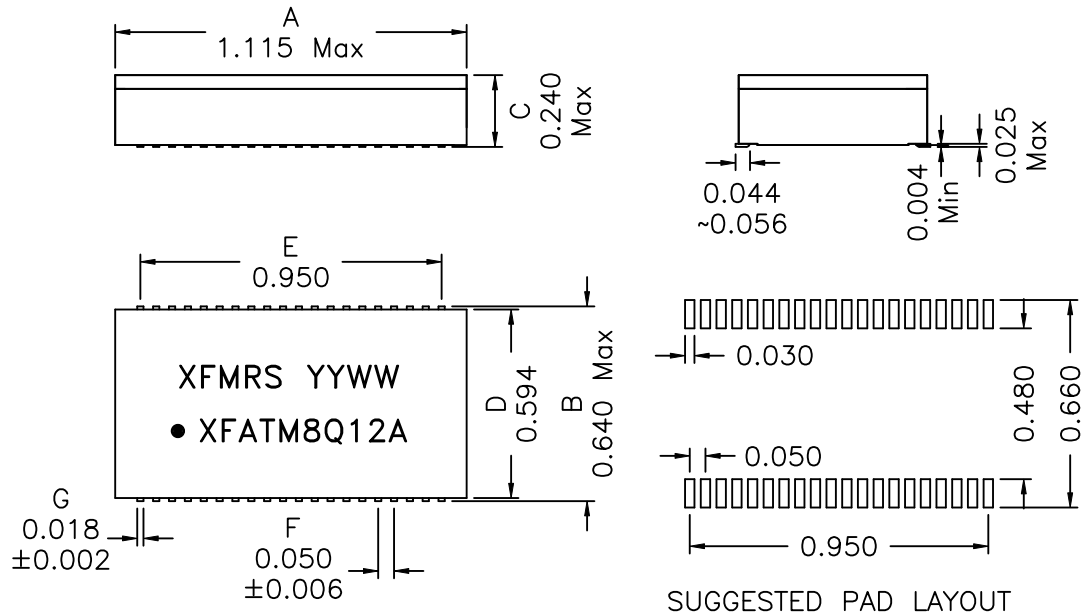
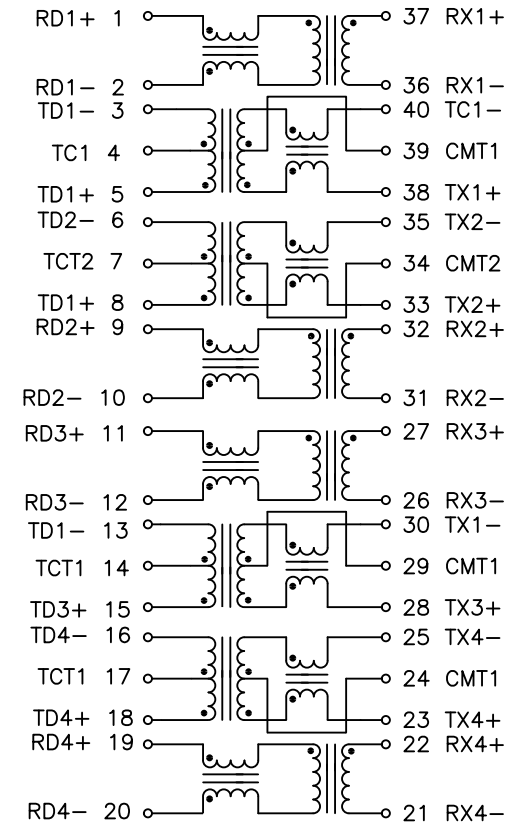


1. Mechanical Dimensions:



2. Schematic:



3. Electrical Specifications: @25°C

Turns Ratio: PRI/SEC TX 1CT:1CT ±3% RX 1:1 ±3%
 Isolation Voltage: 1500 Vrms (Input to Output)
 OCL: 350uH Minimum @100KHz,100mV 8mADC
 Q: 12 Minimum @100KHz,100mV
 INSERTION LOSS: -1.0 Typ @0.1-100MHz
 RETURN LOSS: @2-30MHz -21dB Typ.
 @40MHz -17dB Typ.
 @50MHz -14.5dB Typ.
 @60-80MHz -12dB Typ.
 CROSSTALK: -35dB Typ. @100KHz-100MHz
 CMRR: -30dB Typ. @100KHz-80MHz
 Differential to Common Mode Rejection:
 -40dB Typ. @100KHz-60MHz

Notes:

1. Solderability: Leads shall meet MIL-STD-202G, Method 208H for solderability.
2. Flammability: UL94V-0
3. ASTM oxygen index: > 28%
4. Insulation System: Class H 180°C. UL file E151556
5. Operating Temperature Range: All listed parameters are to be within tolerance from -40°C to +100°C
6. Storage Temperature Range: -55°C to +125°C
7. Aqueous wash compatible
8. SMD Lead Coplanarity: ±0.004"(0.102mm)
9. Electrical and mechanical specifications 100% tested
10. RoHS Compliant Component
11. Recommended IR Reflow peak temp of 250C Max.

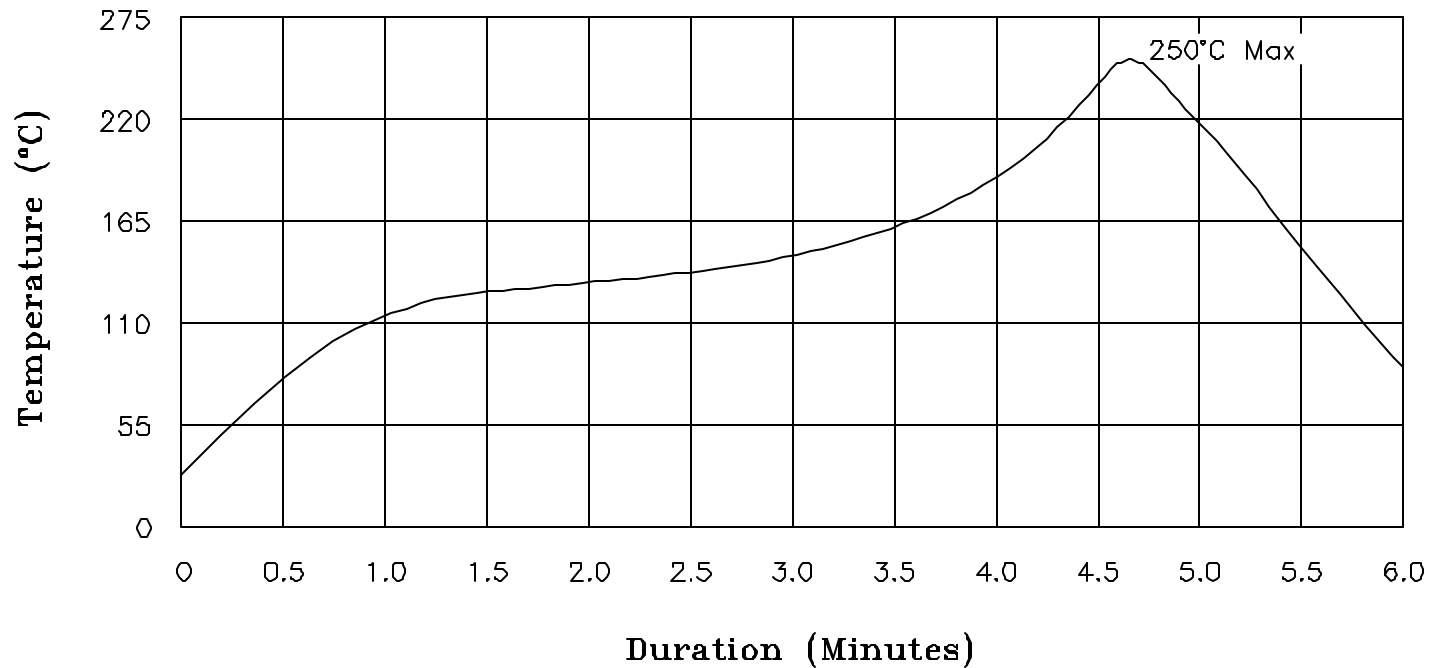
DOC REV: C/2

XFMRS® www.XFMRS.com UNLESS OTHERWISE SPECIFIED TOLERANCES: .xxx ±0.010 Dimensions in INCH SHEET 1 OF 1	Title: Quad Port 10/100BASE-TX Module		
	P/N: XFATM8Q12A		REV. C
	DWN.	Xian Yi	Feb-25-22
	CHK.	YK Liao	Feb-25-22
APP.	TCH	Feb-25-22	

PROPRIETARY Document is the property of XFMRS Group & is not allowed to be duplicated without authorization.

XFMRs

Recommended Infrared Reflow Temperature Profile for Select Parts



NOTES: Maximum duration at 250°+0/-5° shall be 10-15 seconds.
 Maximum duration above 217° shall be 50-120 seconds.
 ALL Temperatures refer to topside of the package, measured on the package body surface.

XFMRs Inc www.XFMRs.com	Title: IR REFLOW CHART (250°C)			
	UNLESS OTHERWISE SPECIFIED TOLERANCES: N/A		P/N: N/A	REV. A
	DWN.	Juan Mao	Dec-20-06	
	CHK.	YK Liao	Dec-20-06	
SHEET 1 OF 1	APP.	Joe Huff	Dec-20-06	