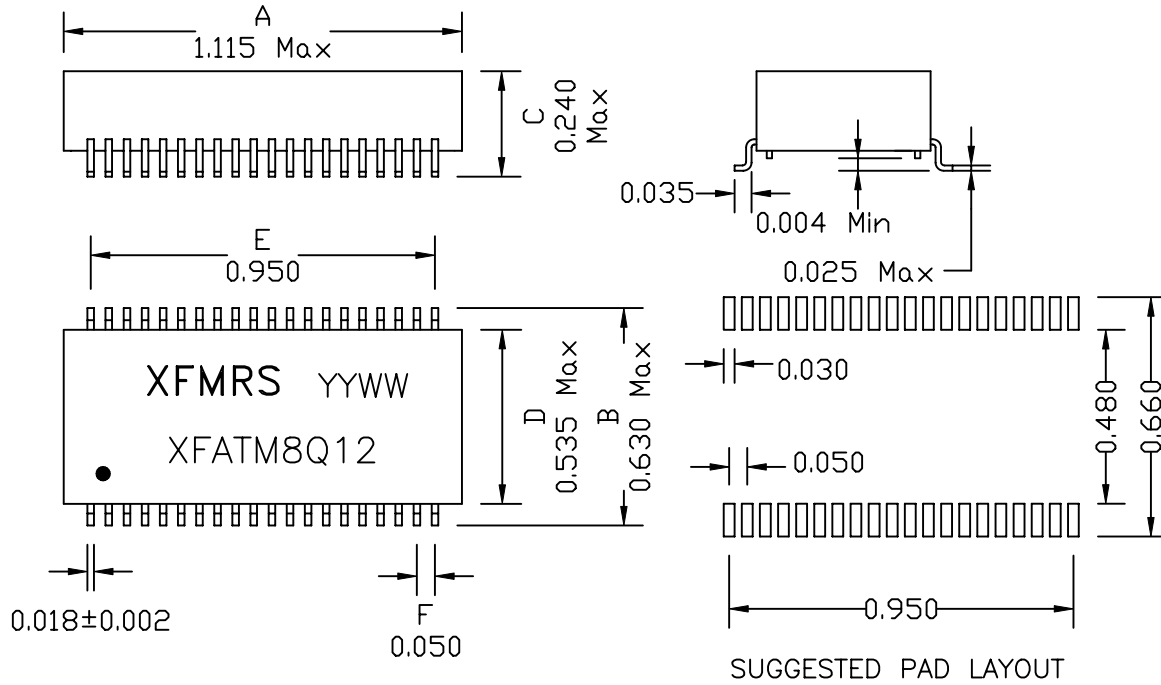
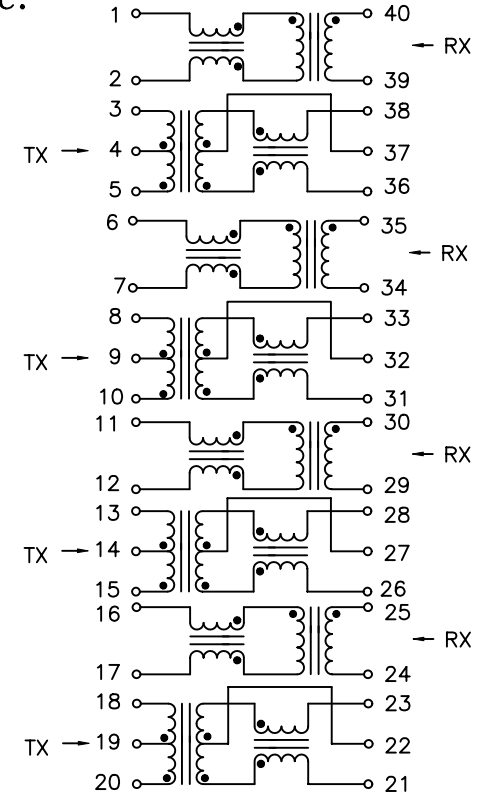


1. Mechanical Dimensions:



2. Schematic:



3. Electrical Specifications: @25°C

Turns Ratio: PRI/SEC TX 1CT:1CT ±3% RX 1:1 ±3%
 Isolation Voltage: 1500 Vrms (Input to Output)
 PRI OCL: 350uH Minimum @100KHz, 100mV 8mADC
 INSERTION LOSS: -0.5dB Typ @300KHz - 100MHz
 RETURN LOSS: 2-30MHz -21dB TYPICAL
 40MHz -17dB TYPICAL 50MHz -14.5dB TYPICAL
 60MHz-80MHz -12dB TYPICAL
 CROSSTALK: -35dB Typical @100KHz-100MHz
 CMRR: -30dB Typical @100KHz-80MHz
 Differential to Common Mode Rejection:
 -40dB Typical @100KHz-60MHz -30dB Typical @60MHz-200MHz

Notes:

- Solderability: Leads shall meet MIL-STD-202, Method 208D for solderability.
- Flammability: UL94V-0
- ASTM oxygen index: > 28%
- Insulation System: Class F 155°C. UL file E151556
- Operating Temperature Range: All listed parameters are to be within tolerance from -40°C to +85°C
- Storage Temperature Range: -55°C to +125°C
- Aqueous wash compatible
- SMD Lead Coplanarity: ±0.004"(0.102mm)
- Moisture Sensitivity: Level 2

XFMRS Inc	Title: Quad Port 10/100BASE-TX Module		
	UNLESS OTHERWISE SPECIFIED TOLERANCES:		REV. A
	.xxx ±0.010	P/N: XFATM8Q12	
	Dimensions in INCH	DWN. Juan Mao	Sep-30-04
SCALE 2:1 SHT 1 OF 1	CHK. YK Liao	Sep-30-04	
	APP. MS	Sep-30-04	

DOC REV: A/7