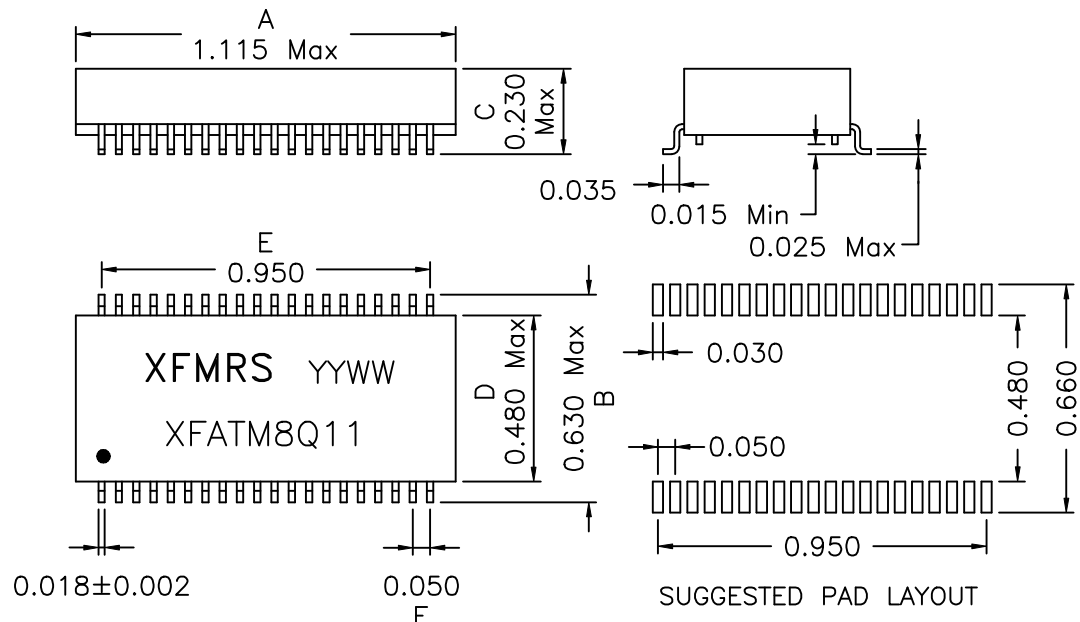
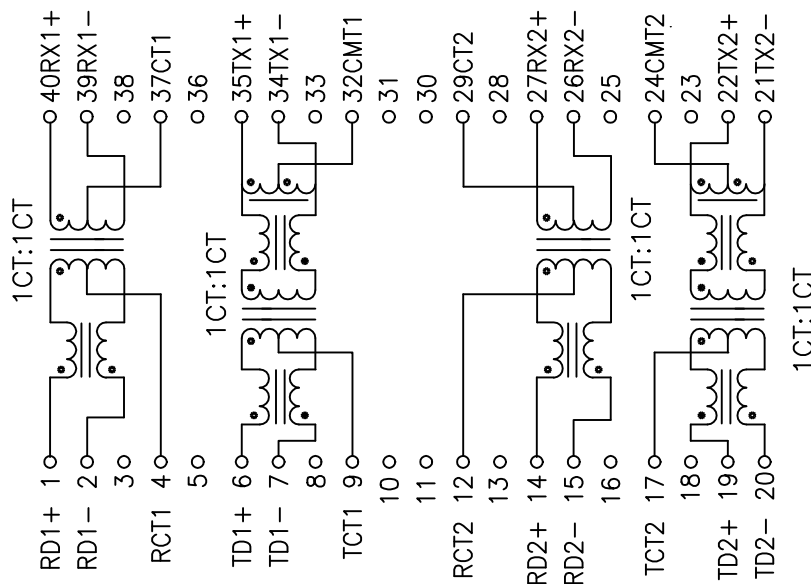


1. Dimensions:



2. Schematic:



Doc Rev: A/4

3. Electrical Specifications: @25°C

Turns Ratio: PRI/SEC TX 1CT:1CT ±3%
 Turns Ratio: PRI/SEC RX 1CT:1CT ±3%
 Isolation Voltage: 1500 Vrms (Input to Output)
 OCL: 350uH Minimum @100KHz, 100mV 8mADC
 INSERTION LOSS: -0.5dB Typ @100KHz - 100MHz
 RETURN LOSS: 2-30MHz -21dB TYPICAL
 40MHz -17dB TYPICAL
 50MHz -14.5dB TYPICAL
 60MHz-80MHz -12dB TYPICAL
 CROSSTALK: -35dB Typical @100KHz-100MHz
 CMRR: -30dB Typical @100KHz-80MHz
 Differential to Common Mode Rejection:
 -50dB Typical @100KHz-60MHz
 -40dB Typical @60MHz-200MHz

Notes:

1. Solderability: Leads shall meet MIL-STD-202, Method 208D for solderability.
2. Flammability: UL94V-0
3. ASTM oxygen index: > 28%
4. Insulation System: Class F 155°C. UL file E151556
5. Operating Temperature Range: -40°C to +85°C
6. Storage Temperature Range: -55°C to +125°C
7. Aqueous wash compatible

XFMRs Inc	Title: Dual Port 10/100BASE-TX Module		
	UNLESS OTHERWISE SPECIFIED	P/N: XFATM8Q11	REV. A
TOLERANCES: .xxx ±0.010	DWN.	李小锋	Oct-22-02
Dimensions in INCH	CHK.	廖玉坤	Oct-22-02
SHEET 1 OF 1	APP.	BW	Oct-22-02