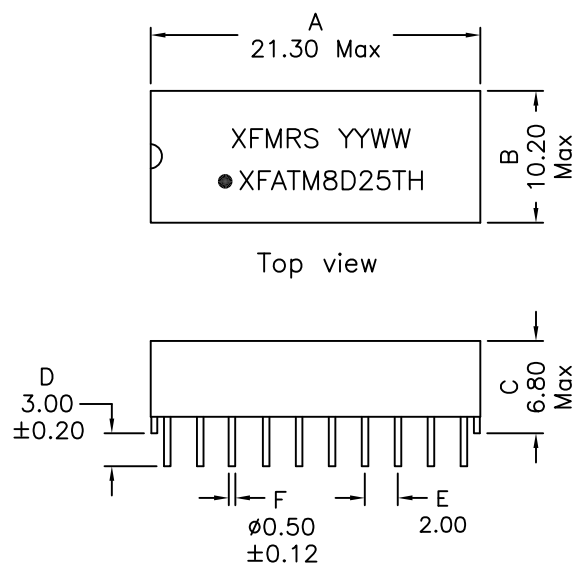


1. Mechanical Dimensions:



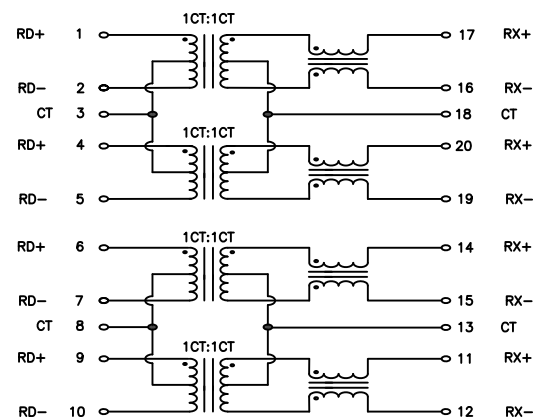
SUGGESTED FOOTPRINT

Notes:

- Solderability: Leads shall meet MIL-STD-202G, Method 208H for solderability.
- Flammability: UL94V-0
- ASTM oxygen index: > 28%
- Insulation System: Class F 155°C. UL file E151556
- Operating Temperature Range: All listed parameters are to be within tolerance from -40°C to +85°C
- Storage Temperature Range: -55°C to +125°C
- Aqueous wash compatible
- Electrical and mechanical specifications 100% tested
- RoHS Compliant Component

DOC. REV: A/2

2. Schematic:



3. Electrical Specifications: @25°C

Turns Ratio: TX=1CT:1CT RX=1CT:1CT

OCL: 350uH Min @100KHz, 0.1V, 8mA

Insertion Loss: -1.0dB Max @0.1-100MHz

Return Loss: -18dB Min @2-30MHz

-14.4dB Min @40MHz

-13.1dB Min @50MHz

-12dB Min @60-80MHz

CMRR: -37dB Min @1-60MHz

-18dB Min @60-200MHz

Crosstalk: -55dB Min @0.1MHz

-45dB Min @30MHz

-40dB Min @60MHz

-33dB Min @100MHz

Isolation Voltage: 1500Vrms

Q: 15 Min @100KHz, 0.1V

XFMRS Inc www.XFMRS.com		Title: 10/100Base-TX Dual Port Transformer Modules	
UNLESS OTHERWISE SPECIFIED TOLERANCES: .xx ±0.25		P/N: XFATM8D25TH	REV. A
Dimensions in MM		DWN. Yuan	Dec-21-16
SHEET 1 OF 1		CHK. YK Liao	Dec-21-16
		APP. BW	Dec-21-16

PROPRIETARY

Document is the property of XFMRS Group & is not allowed to be duplicated without authorization.