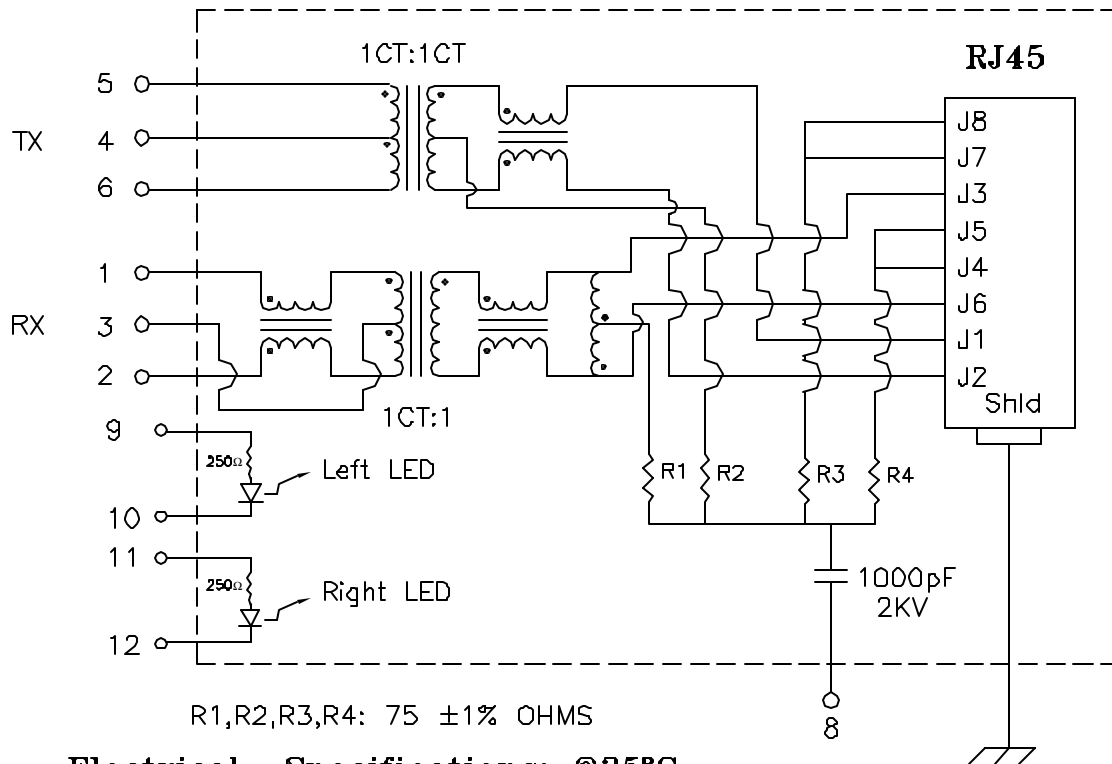


### Schematic:



R1,R2,R3,R4: 75 ±1% OHMS

### Electrical Specifications: @25°C

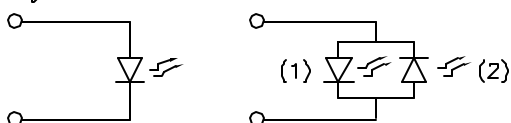
- Isolation Voltage: 1500 Vrms (Input to Output)
- Isolation Voltage: 500 Vrms (P1+2+3 to P4+5+6)
- Turns Ratio: TX 1:1 ±3% RX 1:1 ±3%
- CABLE SIDE OCL: 350uH Minimum @100KHz 100mV 8mADC
- Q: 16 Min @100KHz 0.1V
- Insertion Loss (0.5MHz-100MHz): 1.1dB Maximum
- Return Loss: @0.5MHz-30MHz 18dB Minimum
- @30.1MHz-60MHz 18-20LOG(f/50)dB Min
- @60.1MHz-80MHz 12dB Min
- Crosstalk attenuation: @0.5MHz-40MHz 35dB Min
- @40.1MHz-100MHz 33-20\*LOG(f/50)dB Min
- Common Mode Rejection Ratio: @0.5MHz-100MHz 30dB Min

Complete the Combo P/N as follows:

Replace 'x' & 'u' in the part number with one of the LED color letters:

- Y=Yellow
- G=Green
- A=Amber
- R=Red
- C=Green(1)/Amber(2) Bicolor
- D=Amber(1)/Green(2) Bicolor
- M=Green(1)/Yellow(2) Bicolor
- N=Yellow(1)/Green(2) Bicolor
- P=Red(1)/Green(2) Bicolor
- Q=Green(1)/Red(2) Bicolor

Single Color LED:                      Bi-Color LED:



DOC. REV: A/1

### Notes:

1. Solderability: Leads shall meet MIL-STD-202G, Method 208H for solderability.
2. Flammability: UL94V-0
3. ASTM oxygen index > 28%
4. Insulation System: Class F 155°C. UL file E151556
5. Operating Temperature Range: All listed parameters are to be within tolerance from -40°C to +85°C
6. Storage Temperature Range: -55°C to +125°C
7. Aqueous wash compatible
8. Electrical and mechanical specifications 100% tested
9. RoHS Compliant Component

**XFMRs Inc.**  
www.XFMRs.com

Title: **SINGLE PORT COMBO**

UNLESS OTHERWISE SPECIFIED  
TOLERANCES:  
.xxx ±0.010  
Dimensions in Inch

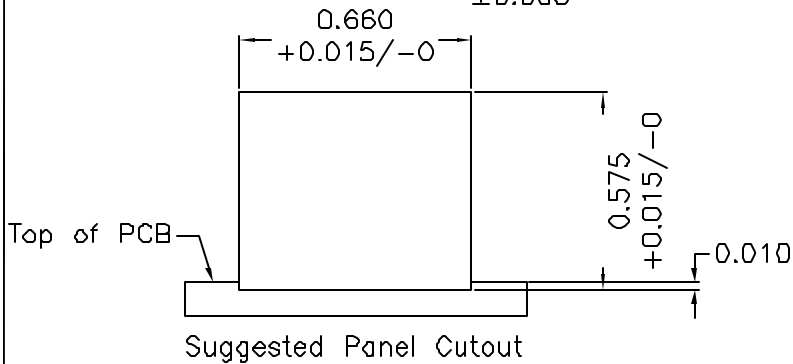
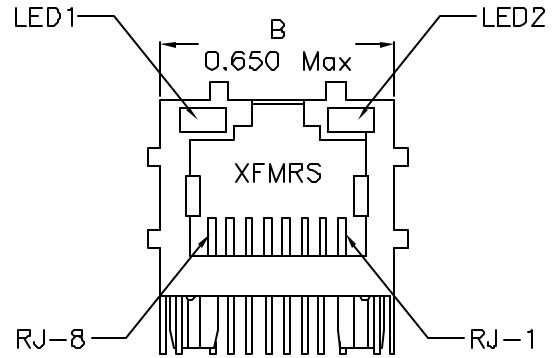
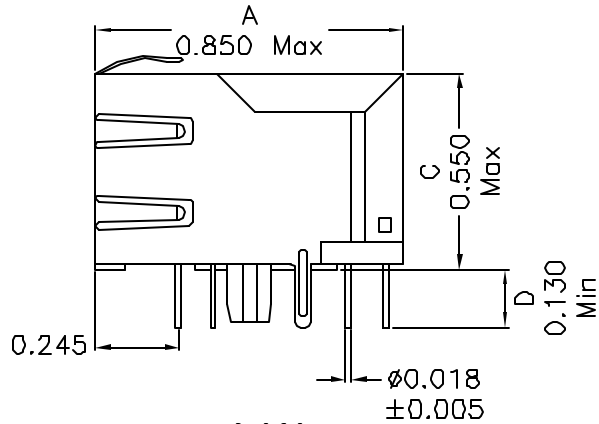
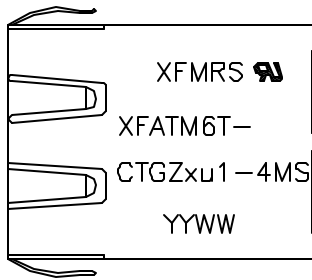
P/N: XFATM6T-CTGZxu1-4MS	REV. A
DWN.	Xianyi Jul-20-09
CHK.	YK Liao Jul-20-09
APP.	Joe Huff Jul-20-09

**PROPRIETARY:**

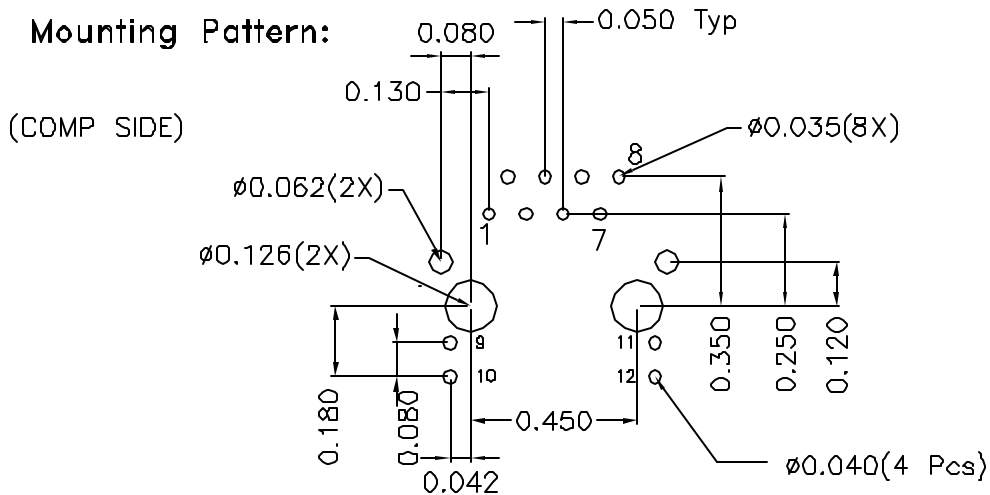
Document is the property of XFMRs Group & is not allowed to be duplicated without authorization.

SHEET 1 OF 2

**Mechanical Dimensions:**



**Mounting Pattern:**



DOC REV: A/1

<b>XFMRS Inc.</b> www.XFMRS.com	Title: 0.85" Tab-UP Single part		
	UNLESS OTHERWISE SPECIFIED TOLERANCES: .xxx ±0.010 Dimensions in Inch	P/N: XFATM6T-CTGZxu1-4MS	REV. A
	DWN.	Xianyi	Jul-20-09
	CHK.	YK Liao	Jul-20-09
	APP.	Joe Huff	Jul-20-09

**PROPRIETARY:**

Document is the property of XFMRS Group & is not allowed to be duplicated without authorization.