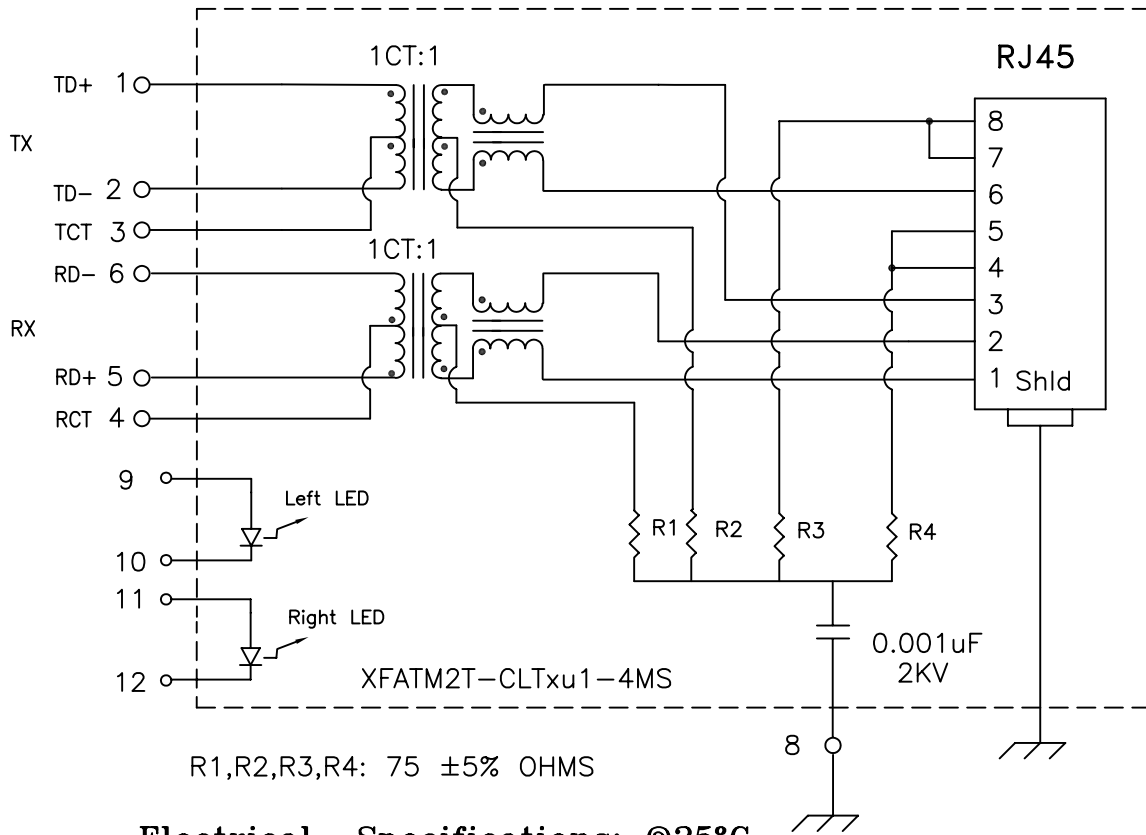


## Schematic:



## Electrical Specifications: @25°C

Isolation Voltage:	1500 Vrms (INPUT to OUTPUT)
UTP SIDE OCL:	350uH Min @100KHz 100mV 8mADC
Rise Time (10-90%):	2.5ns Typical
Insertion Loss (100KHz-999KHz):	-1.0dB Maximum
(1.0MHz-15.0MHz):	-0.3dB Maximum
(15.1MHz-60.0MHz):	-0.6dB Maximum
(60.1MHz-100MHz):	-1.1dB Maximum
Return Loss: (100KHz-60.0MHz):	-18dB Typ
(60.1MHz-80MHz):	-15dB Minimum
(80.1MHz-100MHz):	-12dB Minimum
Crosstalk: (100KHz-60MHz):	-43dB Minimum
(60.1MHz-100MHz):	-38dB Minimum
Common Mode to Differential Mode Rejection:	
100KHz-60MHz	-46dB Min (Tx) / -35dB Min (Rx)
60MHz-100MHz	-42dB Min (Tx) / -33dB Min (Rx)
Q:	18 Min @100KHz 100mV

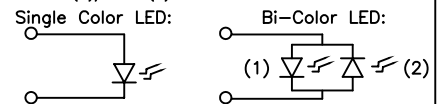
### Notes:

- Solderability: Leads shall meet MIL-STD-202G, Method 208H for solderability.
- Flammability: UL94V-0
- ASTM oxygen index: > 28%
- UL Recognized Component: File Number E200238
- Operating Temperature Range: All listed parameters are to be within tolerance from -40°C to +85°C
- Storage Temperature Range: -55°C to +125°C
- Aqueous wash compatible
- Electrical and mechanical specifications 100% tested
- RoHS Compliant Component

DOC. REV A/2

### Complete the Combo P/N as follows:

Replace 'x' & 'u' in the part number with one of the LED color letters:  
 Y=Yellow 'x' = Left LED Color  
 C=Green 'u' = Right LED Color  
 A=Amber  
 R=Red  
 C=Green(1)/Amber(2) Bicolor  
 D=Amber(1)/Green(2) Bicolor  
 M=Green(1)/Yellow(2) Bicolor  
 N=Yellow(1)/Green(2) Bicolor  
 P=Red(1)/Green(2) Bicolor  
 Q=Green(1)/Red(2) Bicolor  
 E=Red(1)/Yellow(2) Bicolor  
 F=Yellow(1)/Red(2) Bicolor  
 H=Amber(1)/Yellow(2) Bicolor  
 J=Green(1)/Green(2) Bicolor



**XFMRs Inc.**  
www.XFMRs.com

Title: **SINGLE PORT COMBO**

UNLESS OTHERWISE SPECIFIED

P/N: XFATM2T-CLTxu1-4MS

REV. A

TOLERANCES:  
.xxx ±0.010

DWN.

Feng

Nov-25-10

Dimensions in Inch

CHK.

YK Liao

Nov-25-10

SHEET 1 OF 2

APP.

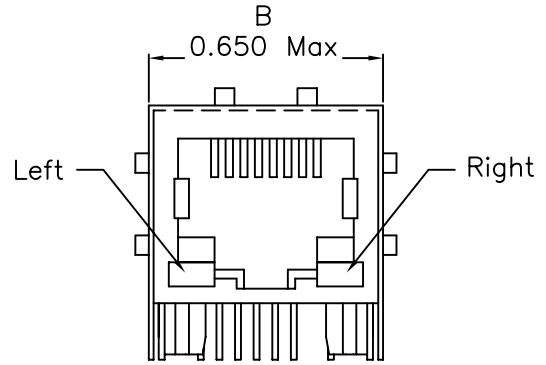
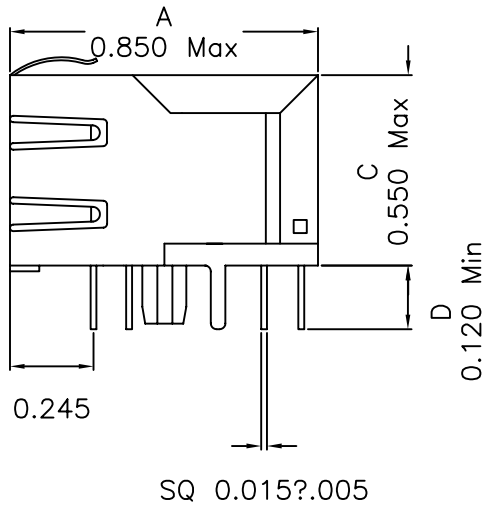
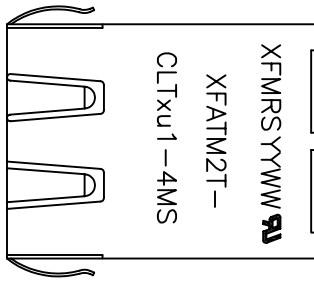
BW

Nov-25-10

**PROPRIETARY:**

Document is the property of XFMRs Group & is not allowed to be duplicated without authorization.

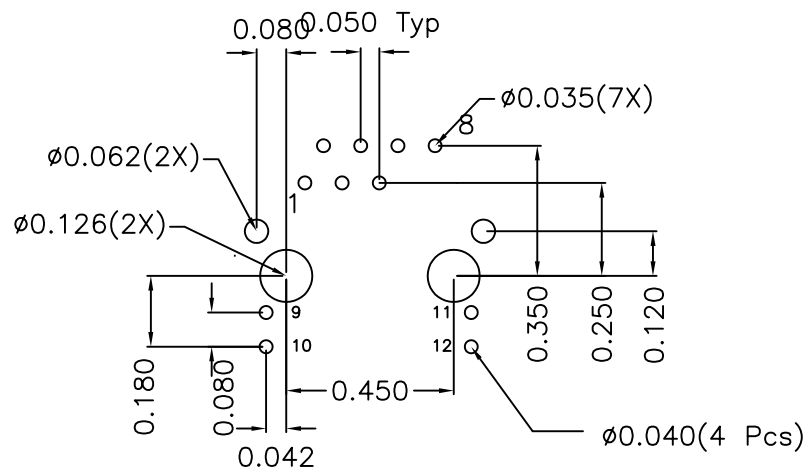
### Mechanical Dimensions:



\*Remove Pin#7

### Mounting Pattern:

(COMP SIDE)



DOC. REV: A/2

**PROPRIETARY:**

Document is the property of XFMRS Group & is not allowed to be duplicated without authorization.

<b>XFMRS Inc</b> www.XFMRS.com		Title: Mechanical Dimensions	
UNLESS OTHERWISE SPECIFIED TOLERANCES: .xxx ±0.010 Dimensions in Inch		P/N: XFATM2T-CLTxu1-4MS	REV. A
DWN.	Feng	Nov-25-10	
CHK.	YK Liao	Nov-25-10	
SHEET 2 OF 2	APP.	BW	Nov-25-10