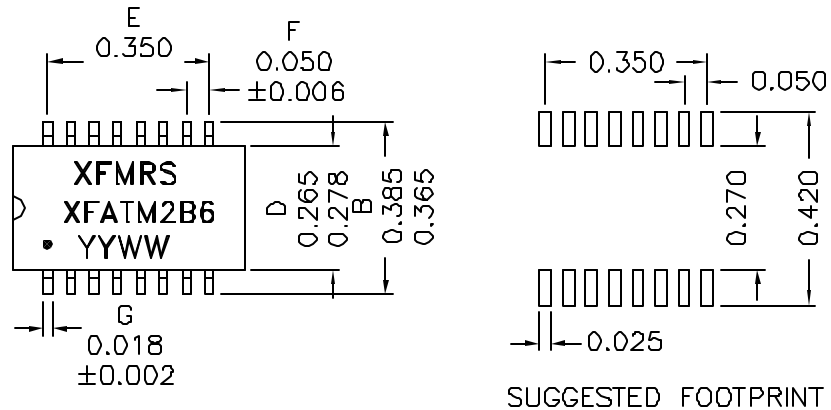
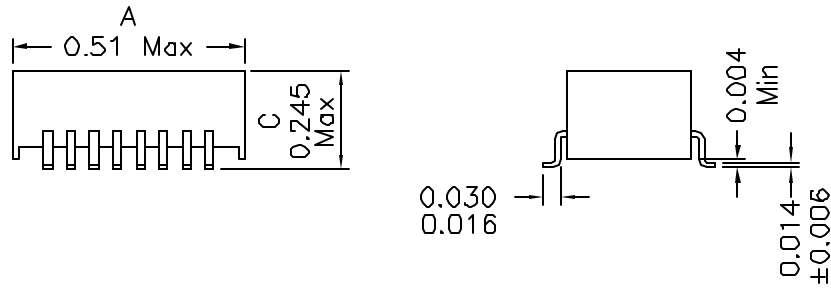


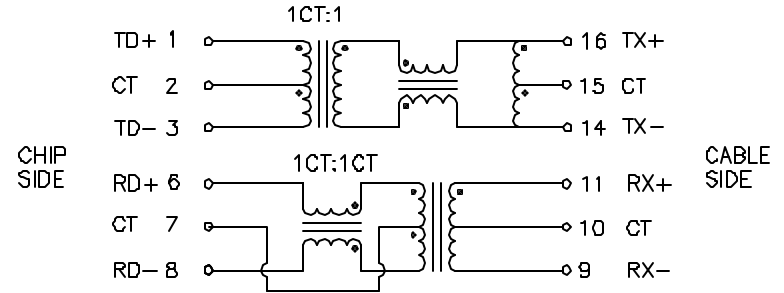
1. Dimensions:



Notes:

1. Solderability: Leads shall meet MIL-STD-202B, Method 208H for solderability.
2. Flammability: UL94V-0
3. ASTM oxygen index: > 28%
4. Insulation System: Class F 155°C. UL file E151556
5. Operating Temperature Range: All listed parameters are to be within tolerance from -40°C to +85°C
6. Storage Temperature Range: -55°C to +125°C
7. Aqueous wash compatible
8. SMD Lead Coplanarity: ±0.004" (0.102mm)
9. Electrical and mechanical specifications 100% tested
10. RoHS Compliant Component

2. Schematic:



3. Electrical Specifications: @25°C

Isolation Voltage: 1500 Vrms (Input to Output)

CHIP SIDE OCL: 350uH Minimum @100KHz 100mV 8mA DC

Pri DCR: 1.0 Ohms Max

Cw/w: (Pri/Sec) 30pF Typ @100KHz 0.1V

Rise Time (10-90%): 4.0ns Maximum

Insertion Loss (100KHz-100MHz): -1.0dB Maximum

Insertion Loss (100MHz-125MHz): -1.5dB Maximum

Return Loss:

Tx: @30MHz -20dB Typ Rx: @30MHz -18dB Typ
 @80MHz -15dB Typ @80MHz -12dB Typ

CM-DM Attenuation:

100KHz-60MHz -45dB Typ.(Tx) / -40dB Typ.(Rx)

60MHz-100MHz -40dB Typ.(Tx) / -35dB Typ.(Rx)

Crosstalk:

100KHz-60MHz -40dB Typical

60MHz-100MHz -38dB Typical

DOC. REV. A/4

PROPRIETARY

Document is the property of XFMRs Group & is not allowed to be duplicated without authorization.

XFMRs Inc. www.XFMRs.com		Title: 10/100BASE-TX MAGNETICS	
UNLESS OTHERWISE SPECIFIED TOLERANCES: .xxx ±0.010 Dimensions in Inch		P/N: XFATM2B6	REV. A
		DWN. Juan Mao	Apr-04-07
		CHK. YK Liao	Apr-04-07
SCALE 2:1 SHT 1 OF 1		APP. MS	Apr-04-07