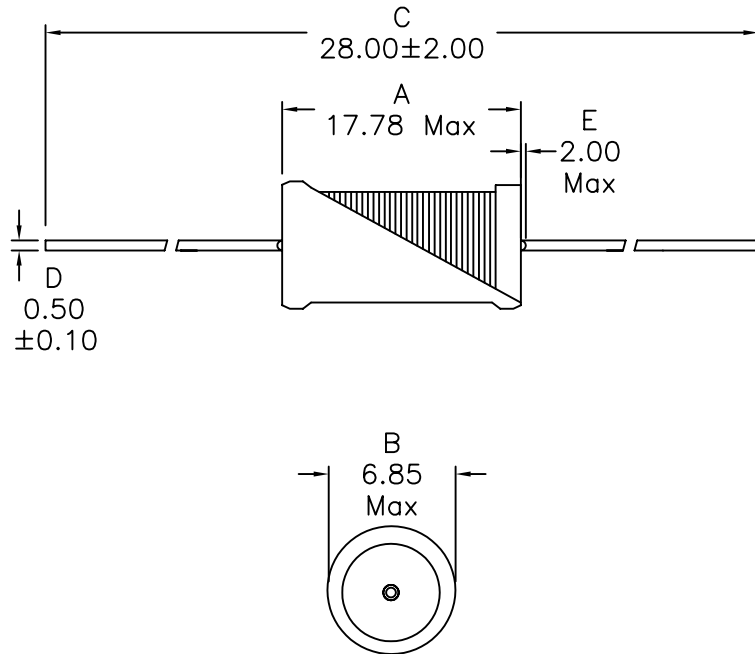
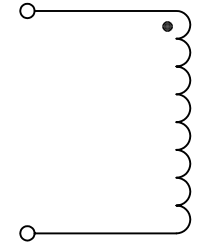


1. Mechanical Dimensions:



2. Schematic:



3. Electrical Specifications: @25°C

OCL: $6.8\mu\text{H} \pm 10\%$ @100KHz, 1.0V

Q: 25 Min @100KHz, 1.0V

DCR: 33.6mOhms Max

Isat: 3.0Adc Max (Based on 10% drop in OCL)

Notes:

- Solderability: Leads shall meet MIL-STD-202G, Method 208H for solderability.
- Flammability: UL94V-0
- ASTM oxygen index: > 28%
- Insulation System: Class F 155°C. UL file E151556
- Operating Temperature Range: All listed parameters are to be within tolerance from -40°C to +85°C
- Storage Temperature Range: -40°C to +125°C
- Aqueous wash compatible
- Electrical and mechanical specifications 100% tested
- RoHS Compliant Component

Doc. Rev. A/1

PROPRIETARY

Document is the property of XFMRS Group & is not allowed to be duplicated without authorization.

XFMRS Inc www.XFMRS.com	Title: Axial Leaded Inductor		
	UNLESS OTHERWISE SPECIFIED	P/N: XFAL6326-6R8K	REV. A
TOLERANCES: .xx ±0.25	DWN.	Xianyi	Aug-20-09
Dimensions in Inch	CHK.	YK Liao	Aug-20-09
SHT 1 OF 1	APP.	BW	Aug-20-09