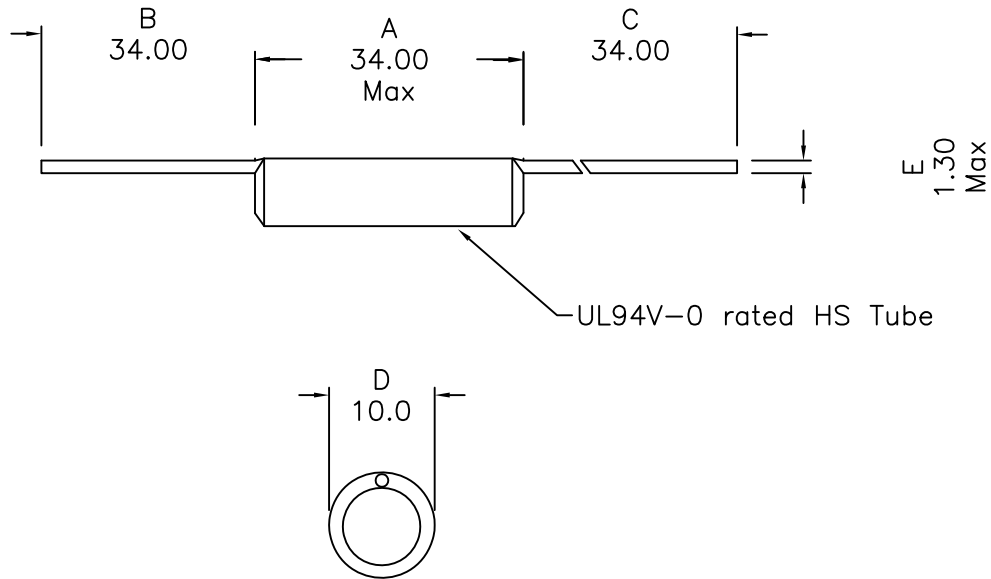
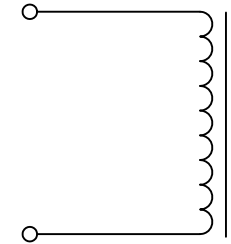


1. Mechanical Dimensions:



2. Schematic:



3. Electrical Specifications:

- OCL: 5uH±20% @10KHz 1V
- DCR: 0.005 Ohms Typ
- Current Rating: 10 A Max
- SRF: 15 MHz Min
- Voltage Rating: 500V dc/ac

Notes:

1. Solderability: Leads shall meet MIL-STD-202G, Method 208H for solderability.
2. Flammability: UL94V-0
3. ASTM oxygen index: > 28%
4. Insulation System: Class F 155°C. UL file E151556
5. Operating Temperature Range: All listed parameters are to be within tolerance from -40°C to +85°C
6. Storage Temperature Range: -55°C to +125°C
7. Aqueous wash compatible
8. Electrical and mechanical specifications 100% tested
9. RoHS Compliant Component

DOC REV: A/3

XFMRs Inc www.XFMRs.com	Title: INDUCTOR		
	UNLESS OTHERWISE SPECIFIED	P/N: XFAL3409-5ROM	REV. A
TOLERANCES: .xxx ±0.25	DWN.	Feng	May-27-16
Dimensions in mm	CHK.	YK Liao	May-27-16
SHEET 1 OF 1	APP.	DDC	May-27-16