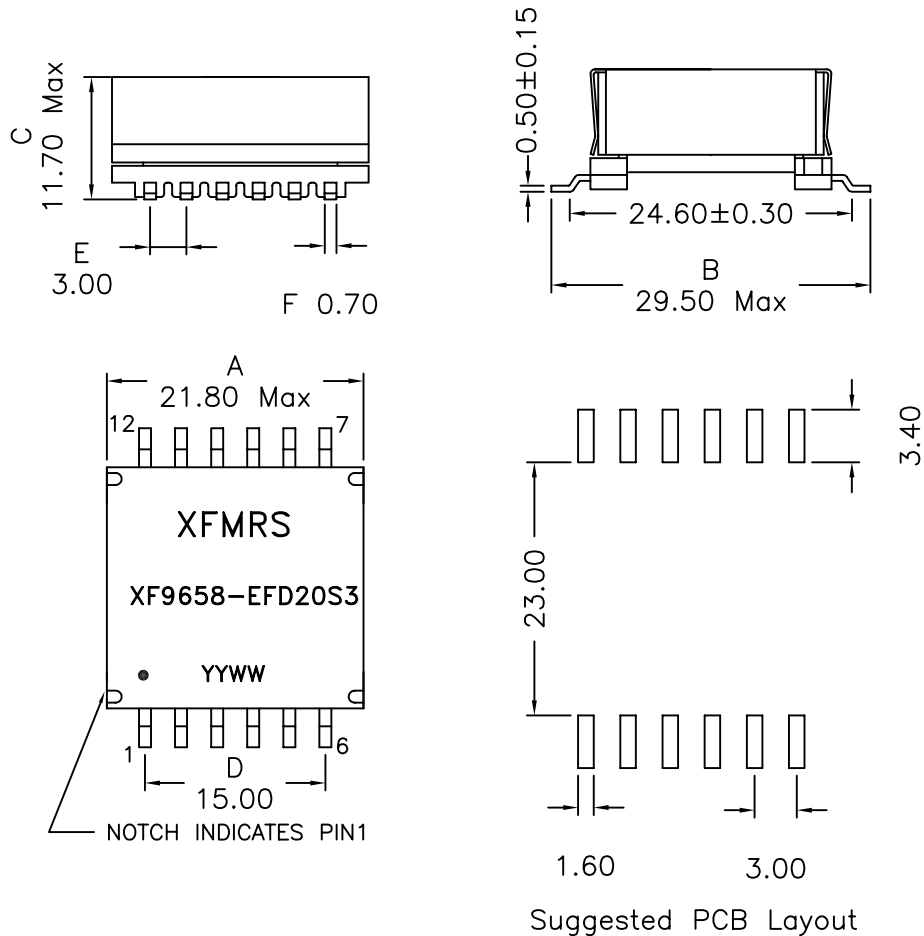


1. Mechanical Dimensions:

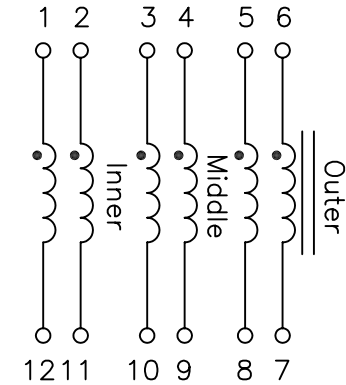


Notes:

1. Solderability: Leads shall meet MIL-STD-202G, Method 208H for solderability.
2. Flammability: UL94V-0
3. ASTM oxygen index: > 28%
4. Insulation System: Class F 155°C. UL file E151556
5. All listed parameters are to be within tolerance from -40°C to +85°C unless otherwise noted
6. Storage Temperature Range: -55°C to +125°C
7. Aqueous wash compatible
8. SMD Lead Coplanarity: ±0.004" (0.102mm)
9. Electrical and mechanical specifications 100% tested
10. RoHS Compliant Component

DOC REV: A/2

2. Schematic:



3. Electrical Specifications:

OCL: Pins 1-12 9.65uH±10% @10KHz 0.1V

Q: Pins 1-12 5 Min @10KHz 0.1V

Volt-Time Product: 94.2V-uS

Energy Storage: 700uJ Peak

DCR: 0.070 Ohms Max, Each Wdg

Isat: 2.40Adc, All Wdgs in Series (drop 30% typ in OCL)

Irms: 1.92A, All Wdgs in Series (40°C Temp Rise)

Hipot: 500Vdc. Wdg. to Wdg., All Wdgs. to Core

XFMRS Inc www.XFMRS.com	Title: Transformer/Inductor		
	UNLESS OTHERWISE SPECIFIED	P/N: XF9658-EFD20S3	REV. A
TOLERANCES: .xx ±0.25	DWN.	Feng	Feb-23-12
Dimensions in mm	CHK.	YK Liao	Feb-23-12
Scale 1.5:1 SHT 1 OF 1	APP.	BW	Feb-23-12