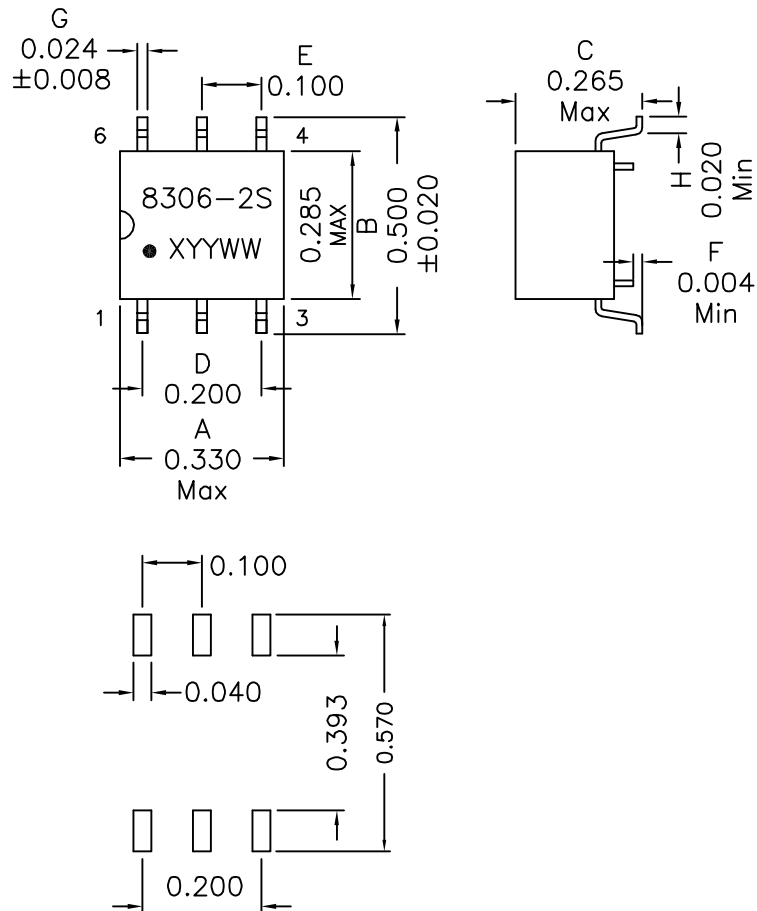


1. Mechanical Dimensions:

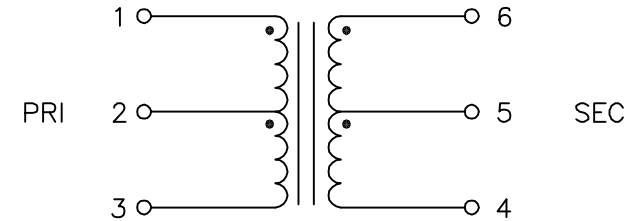


Notes:

1. Solderability: Leads shall meet MIL-STD-202G, Method 208H for solderability.
2. Flammability: UL94V-0
3. ASTM oxygen index: > 28%
4. Insulation System: Class F 155°C. UL file E151556
5. Operating Temperature : -40°C to +85°C
6. Storage Temperature Range: -55°C to +125°C
7. Aqueous wash compatible
8. SMD Lead Coplanarity: 0.004*(0.102mm) Max
9. Electrical and mechanical specifications 100% tested
10. RoHS Compliant Component
11. Recommended IR Reflow peak temp of 250°C Max.

DOC. REV: B/2

2. Schematic:



3. Electrical Specifications: @25°C

Turns Ratio (PRI:SEC): 1CT:1.31CT±5%

Isolation Voltage: 1500Vdc, Wdg to Wdg

OCL Pins (1-3): 0.60-1.10mH @100KHz, 0.25V

Q Pins (1-3): 8 MIN @100KHz, 0.25V

Pri LL: 1.00uH Max @100KHz, 0.25V Short Sec

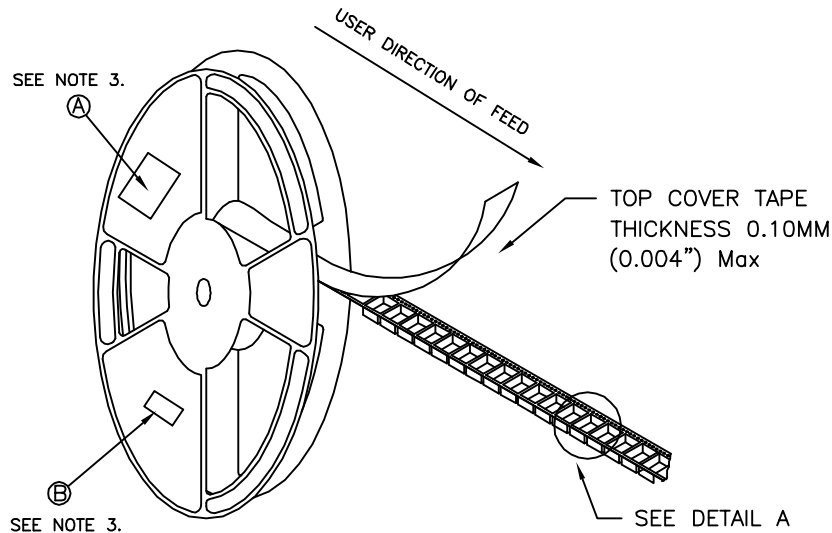
Cww: 1-6 50pF Max @100KHz, 0.25V

Pri DCR: 0.70 Ohms Max

Sec DCR: 1.50 Ohms Max

XFMRs Inc www.XFMRs.com	Title: TRANSFORMER		
	UNLESS OTHERWISE SPECIFIED	P/N: XF8306-2S	REV. B
TOLERANCES: .xxx ±0.010	DWN.	Huo	Jun-14-18
Dimensions in Inch	CHK.	YK Liao	Jun-14-18
SHEET 1 OF 1	APP.	DDC	Jun-14-18

TAPE AND REEL SPECIFICATION:



REEL AND TAPE ORIENTATION

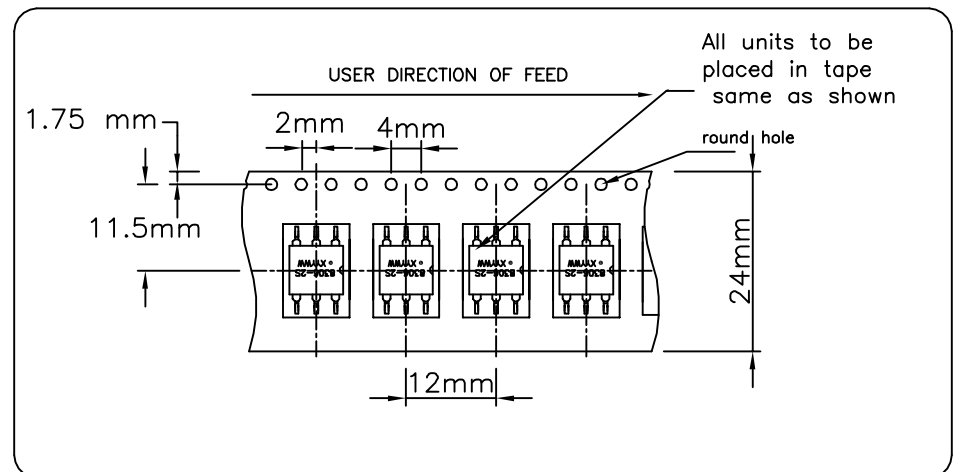
13" REEL DIAMETER

**For parts: XF8306-2S
560-0105**

NOTES:

- 1) PROCESS IN ACCORDANCE WITH EIA-481-2 STANDARDS
 - * TAPE LEADER DIMENSION 15.30" MIN.
 - * TAPE TRAILER DIMENSION 6.30" MIN.
- 2) PARTS SHOULD BE PACKAGED IN ACCORDANCE WITH ESD GUIDELINES IN EIA-541.
- 3) REEL LABEL: 'A' * PART NUMBER
 - * QUANTITY
 - * DATE CODE
- 'B'- ANTI-STATIC CAUTION LABEL
- 4) 850 PCS PER 13" REEL

DETAIL A



DOC REV: B/3

XFMR5 Inc	Title: T&R SPEC			
	UNLESS OTHERWISE SPECIFIED TOLERANCES: .xxs ±xxxxx Dimensions in mm	P/N: XF8306-2S		REV: B
		DWN.	Kong	Oct-12-11
		CHK.	YK Liao	Oct-12-11
SHEET 2 OF 2	APP.	Joe Huff	Oct-12-11	

PROPRIETARY

Document is the property of XFMR5 Group & is not allowed to be duplicated without authorization.