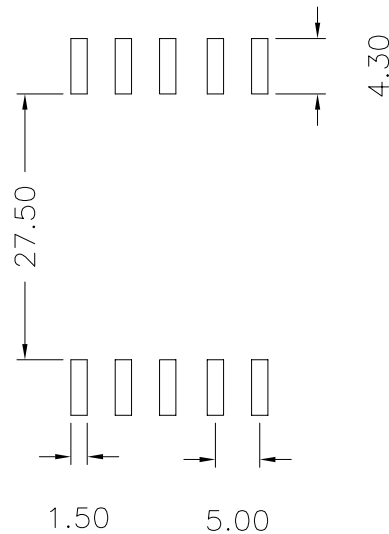
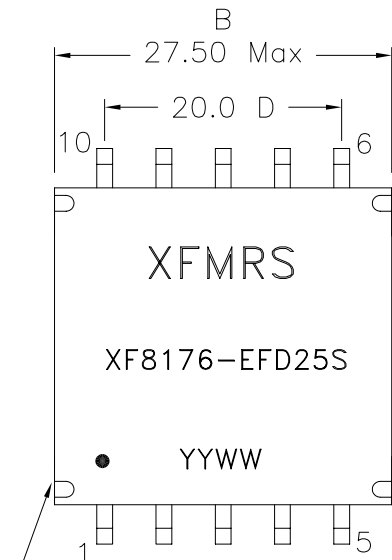
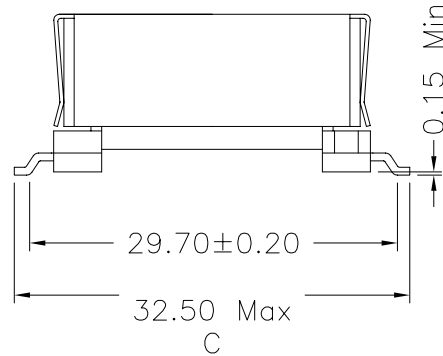
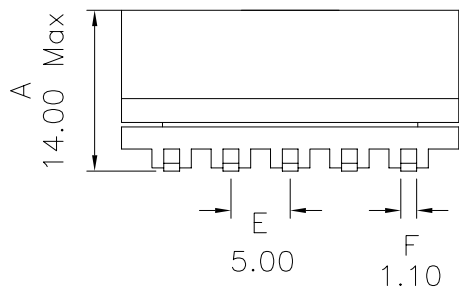


## 1. Mechanical Dimensions:



XFMR5

XF8176-EFD25S

YYWW

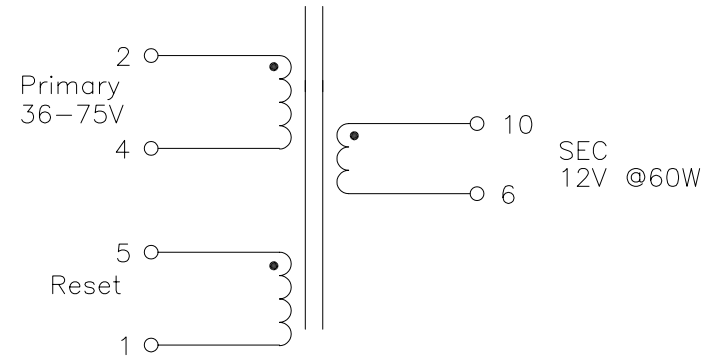
NOTCH INDICATES PIN1

Notes:

1. Solderability: Leads shall meet MIL-STD-202G, Method 208H for solderability.
2. Flammability: UL94V-0
3. ASTM oxygen index: > 28%
4. Insulation System: Class F 155°C. UL file E151556
5. Operating Temperature Range: All listed parameters are to be within tolerance from -40°C to +85°C
6. Storage Temperature Range: -55°C to +125°C
7. Aqueous wash compatible
8. SMD Lead Coplanarity: ±0.004"(0.102mm)
9. Electrical and mechanical specifications 100% tested
10. RoHS Compliant Component

DOC REV: A/1

## 2. Schematic:



## 3. Electrical Specifications:

OCL: Pins 2-4 817uH Min @10KHz 0.1V

LL: Pins 2-4 1.50uH Max @100KHz 0.1V Short all else

DC Res: Pins 2-4 56 mOhms Max

DC Res: Pins 10-6 31mOhms Max

DC Res: Pins 5-1 480mOhms Max

Hi-pot: 1500Vac, Pri & Reset to Sec

Hi-pot: 500Vac, all wdgs to core

Turns Ratio: Pins (2-4):(10-6):(5-1)=1:0.91:1

XFMR5 Inc  
www.XFMR5.com

Title:  
Xfmr

UNLESS OTHERWISE SPECIFIED  
TOLERANCES:  
.xx ±0.25

Dimensions in mm

Scale 1.5:1 SHT 1 OF 1

P/N: XF8176-EFD25S

REV. A

DWN.

Kang Chen

Jun-08-09

CHK.

YK Liao

Jun-08-09

APP.

BW

Jun-08-09

PROPRIETARY

Document is the property of XFMR5 Group & is not allowed to be duplicated without authorization.