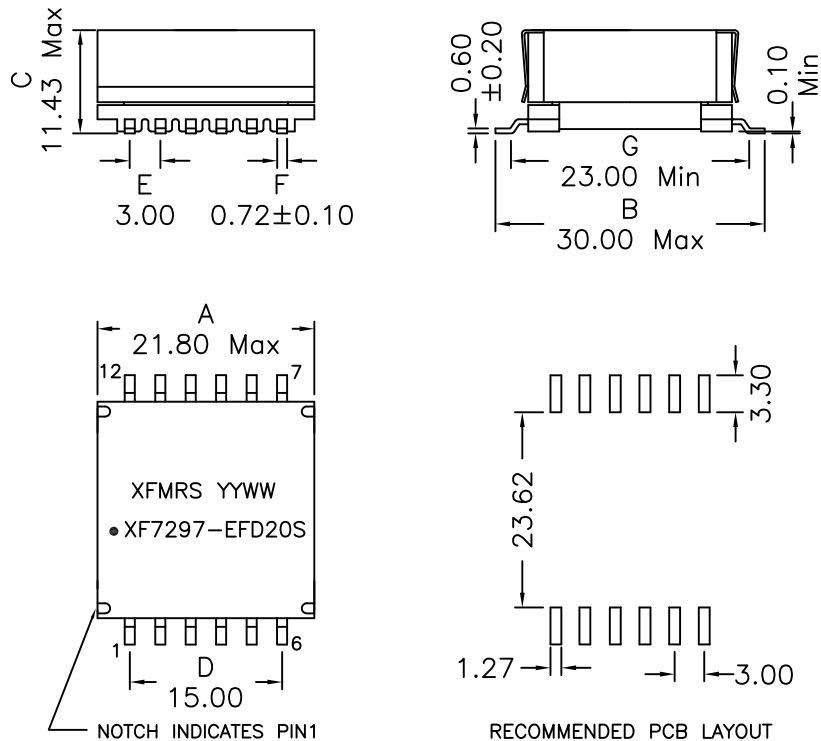


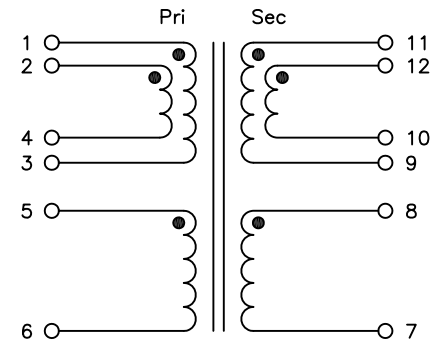
1. Mechanical Dimensions:



Notes:

1. Solderability: Leads shall meet MIL-STD-202G, Method 208H for solderability.
2. Flammability: UL94V-0
3. ASTM oxygen index: > 28%
4. Insulation System: Class F 155°C. UL file E151556
5. All listed parameters are to be within tolerance from -40°C to +125°C unless otherwise noted.
6. Ambient Temperature: -40°C to +125°C
7. Storage Temperature Range: -40°C to +125°C
8. Aqueous wash compatible
9. SMD Lead Coplanarity: ±0.004"(0.102mm)
10. Electrical and mechanical specifications 100% tested
11. RoHS Compliant Component
12. Recommended IR Reflow peak temp of 250°C Max.

2. Schematic:



3. Electrical Specifications: @25°C

- OCL: Pins 1,2-4,3 72.9uH Min @250KHz, 0.2V
 Pins 1,2-4,3 22uH Min @250KHz, 0.2V -40°C to +25°C
- Q: Pins 1,2-4,3 15 Min @250KHz, 0.2V
- LL: Pins 1,2-4,3 0.425uH Max @250KHz, 0.2V Short Sec
- Cw/w: Pins 1-11 100pF Max @100KHz, 0.1V Short Pri; Sec
- DCR: Pins 1-3 55 mOhms Max
 Pins 2-4 55 mOhms Max
 Pins 5-6 250 mOhms Max
 Pins 8-7 160 mOhms Max
 Pins 11-9 13.50 mOhms Max
 Pins 12-10 13.50 mOhms Max
- Turns Ratio: (1-3):(2-4):(5-6):(8-7):(11-9):(12-10)
 = 1.000:1.000:1.000:0.556:0.333:0.333±2%
- Hipot: 1500Vac, Pri to Sec

DOC. REV: A/1

XFMS Inc www.XFMS.com	Title: TRANSFORMERS		
	UNLESS OTHERWISE SPECIFIED	P/N: XF7297-EFD20S	REV. A
TOLERANCES: .xx ±0.25	DWN.	Yuan	Aug-04-14
Dimensions in MM	CHK.	YK Liao	Aug-04-14
SHEET 1 OF 1	APP.	BSJ	Aug-04-14