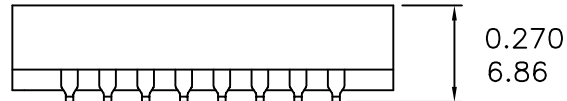
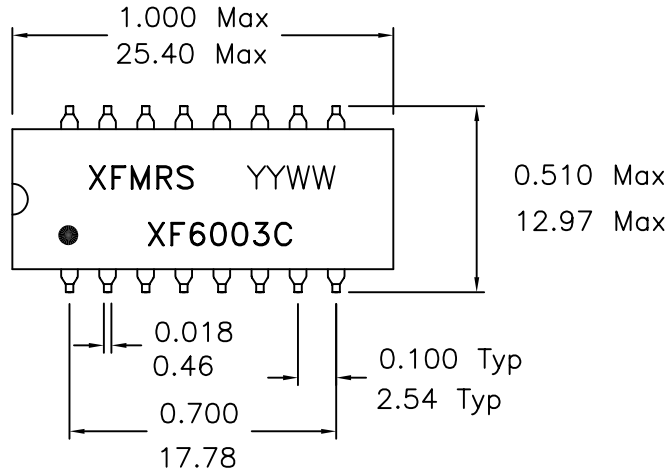
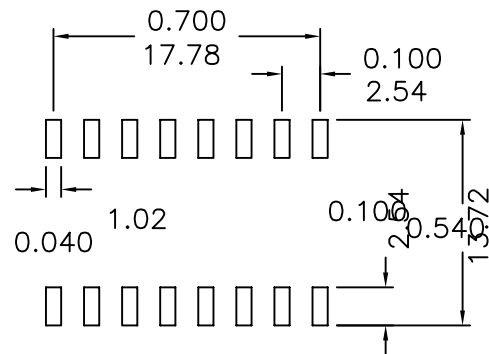
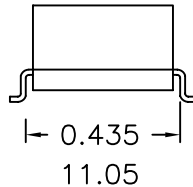


## 1. Mechanical Dimensions:

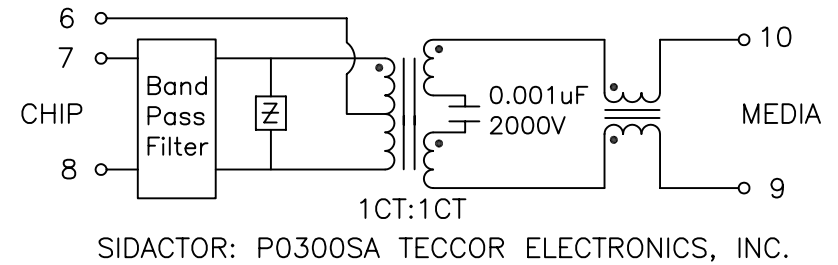


CO-PLANARITY  $\pm$  0.004 Max  
0.10 Max



SUGGESTED FOOTPRINT

## 2. Schematic:



## 3. Electrical Specifications: @25°C

OCL: 140uH Min @100KHz 1.0V

Insertion Loss: -1.5dB Max @500KHz-2MHz  
-3dB Max @2MHz-3MHz

Return Loss: -12dB Min @500KHz-2MHz  
-6dB Min @2MHz-3MHz

Attenuation: -40dB Min @6MHz  
-50dB Min @6.6MHz-8MHz  
-45dB Min @15MHz  
-50dB Min @35MHz

Impedance: 100 Ohms Typ

HIPOT: 1500Vrms, PRI to SEC

### Notes:

- Solderability: Leads shall meet MIL-STD-202, Method 208D for solderability.
- Flammability: UL94V-0
- ASTM oxygen index: > 28%
- Insulation System: Class F 155°C. UL file E151556
- Operating Temperature Range: All listed parameters are to be within tolerance from -40°C to +85°C
- Storage Temperature Range: -55°C to +125°C
- Aqueous wash compatible

<b>XFMR5 INC.</b>	Title: BANDPASS FILTER	
	P/N: XF6003C	REV. A
UNLESS OTHERWISE SPECIFIED TOLERANCES: .xxx $\pm$ 0.010 Inch Dimensions in Inch/mm	DWN.	廖玉坤 Oct-10-02
	CHK.	李清儿 Oct-10-02
	APP.	Isaiah M Oct-10-02
SCALE 2:1 SHT 1 OF 1		

DOC REV: A/1