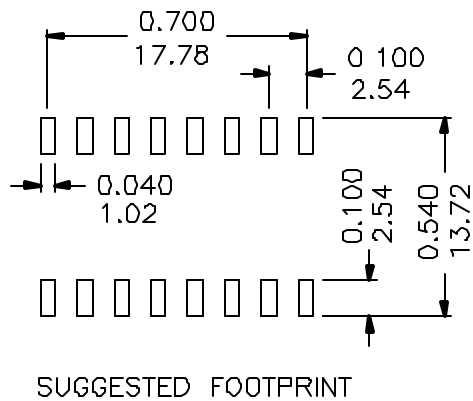
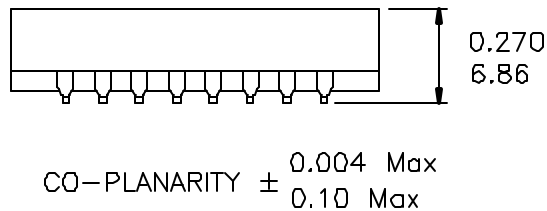
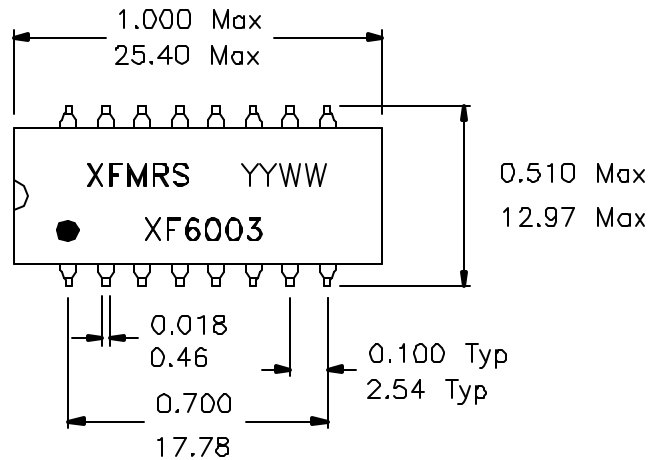
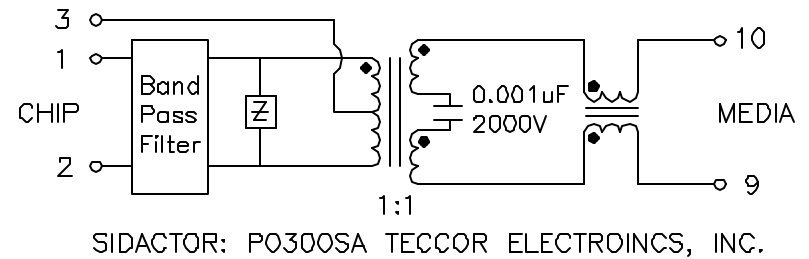


1. Dimensions:



2. Schematic:



3. Electrical Specifications: @25°C

QCL: 140uH Min @100KHz 1.0V

Insertion Loss: (6.0MHz-9.0MHz) -3.0dB Max

Return Loss: -12dB Min (6MHz-9MHz) match to 100 Ohms

Attenuation @1MHz -60dB Min

@27MHz -55dB Min

Cut-off frequency: Lower Band Upper Band

4.0-5.8MHz 9-11MHz

HIPOT: 1500Vrms PRI to SEC

DOC. REV: B/3

XFMR5 INC.	Title: BANDPASS FILTER	
	UNLESS OTHERWISE SPECIFIED TOLERANCES: .xxx ±0.010 Inch Dimensions in Inch/mm	P/N: XF6003 REV. B
DWN.	廖玉坤	Jul-24-00
CHK.	李清儿	Jul-24-00
APP.	Buddy	Jul-24-00