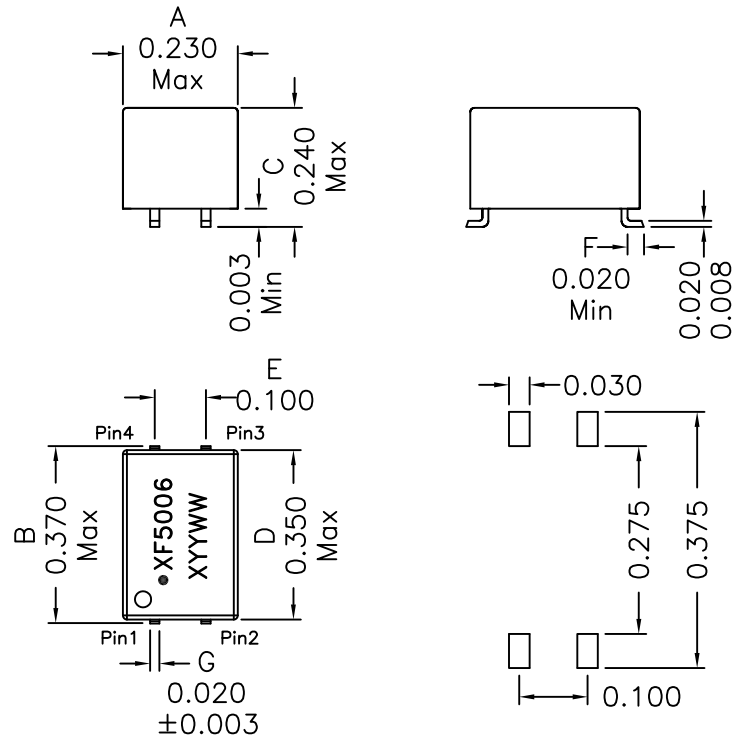
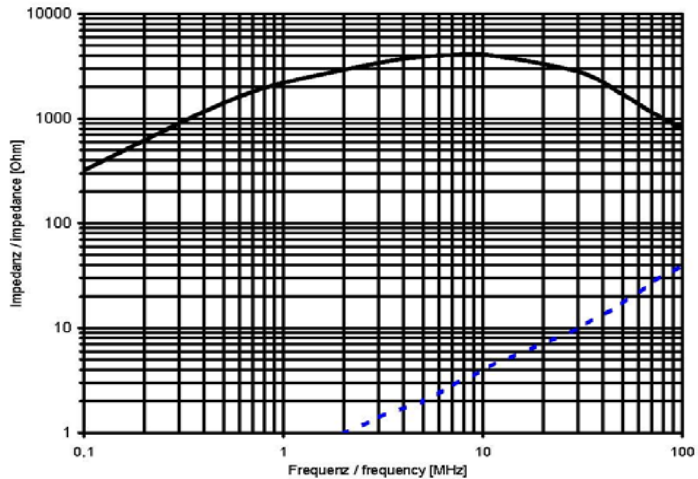


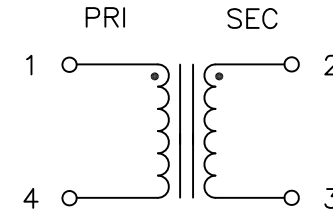
1. Mechanical Dimensions:



SUGGESTED FOOTPRINT



2. Schematic:



3. Electrical Specifications: @25°C

OCL: 500uH±50% @100KHz 5mV, Each Wdg

OCL: 200uH Min @100KHz 5mV, Each Wdg (-40°C)

Q: Pins 1-4 8 Min @10KHz 20mV

DCR: 0.15 Ohms Max, Each Wdg

TURNS RATIO: Pins (1-4):(2-3)=1:1

Impedance: 3300 Ohms Max @1MHz-100MHz

HIPOT: 500Vrms for 3Sec, Wdg to Wdg

Rated Voltage: 80Vdc

Rated Current: 1.0A Max

Notes:

1. Solderability: Leads shall meet MIL-STD-202G, Method 208H for solderability.
2. Flammability: UL94V-0
3. ASTM oxygen index: > 28%
4. Insulation System: Class F 155°C. UL file E151556
5. All listed parameters are to be within tolerance from -40C to +85C unless otherwise noted.
6. Storage Temperature Range: -55°C to +125°C
7. Aqueous wash compatible
8. SMD Lead Coplanarity: ±0.004"(0.102mm)
9. Electrical and mechanical specifications 100% tested
10. RoHS Compliant Component

DOC REV: B/3

PROPRIETARY Document is the property of XFMRs Group & is not allowed to be duplicated without authorization.

| | | | |
|-----------------------------------|---|----------|------------------|
| XFMRs Inc www.XFMRs.com | Title: TRANSFORMER | | |
| | UNLESS OTHERWISE SPECIFIED TOLERANCES: .xxx ±0.010 Dimensions in INCH | | P/N: XF5006-00SM |
| SCALE 4:1 SHT 1 OF 1 | DWN. | Juan Mao | May-01-17 |
| | CHK. | YK Liao | May-01-17 |
| | APP. | GL | May-01-17 |